

CUSTOM

OVERMOLDED CABLE ASSEMBLIES



EN2



EN3



HI-AMP POWER PLUG



STANDARD POWER PLUG



MICRO-CON-X



MINI-CON-X



MULTI-CON-X



MAXI-CON-X



MEGA-CON-X



SHEILDED ASSEMBLIES



SHIELDLED MINI-XLR

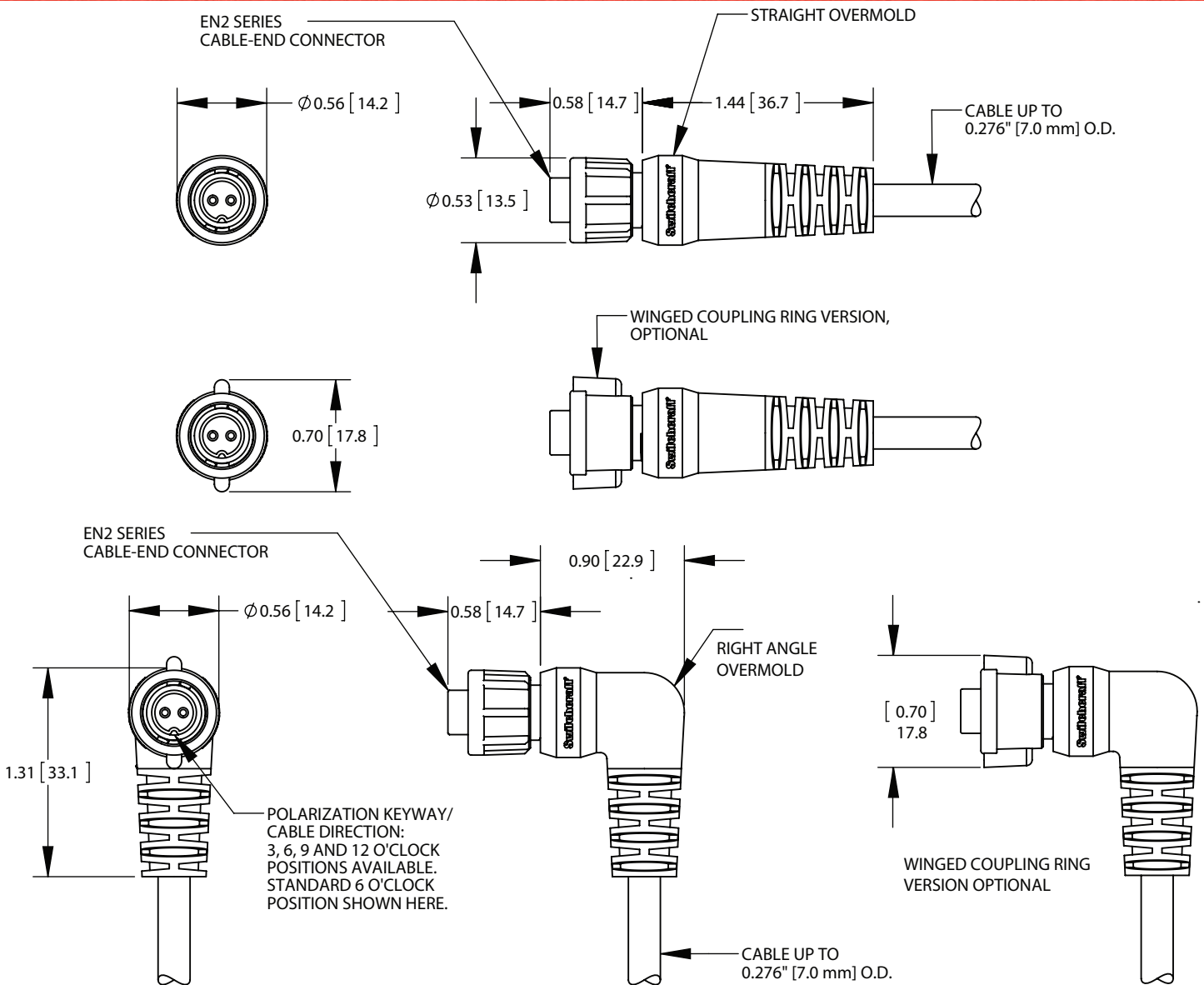


POWER JACKS

EN2

The two new EN2 options have a rugged construction making these overmolded connectors perfect for harsh environments. Available in a straight cable-end overmold or right-angle cable-end overmold, these connectors are the perfect option for mobile equipment, such as monitoring equipment or outdoor lighting. These new connectors provide a more slim line overmold option for protection from harsh environments and excellent flex relief.

[Click here for more information.](#)



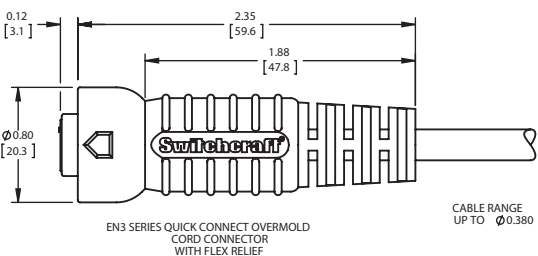
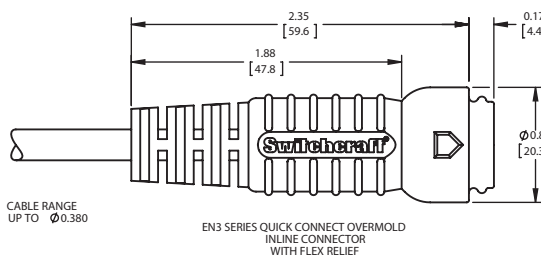
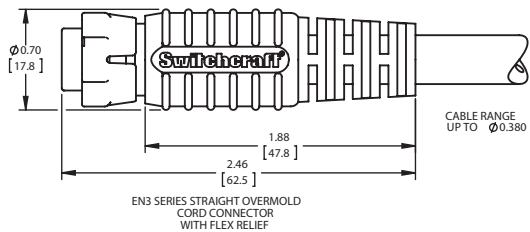
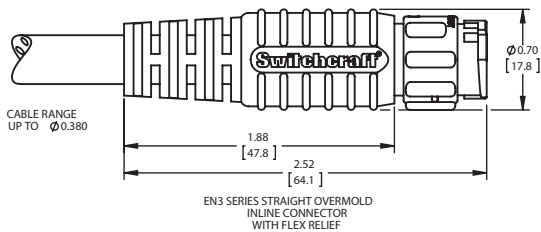
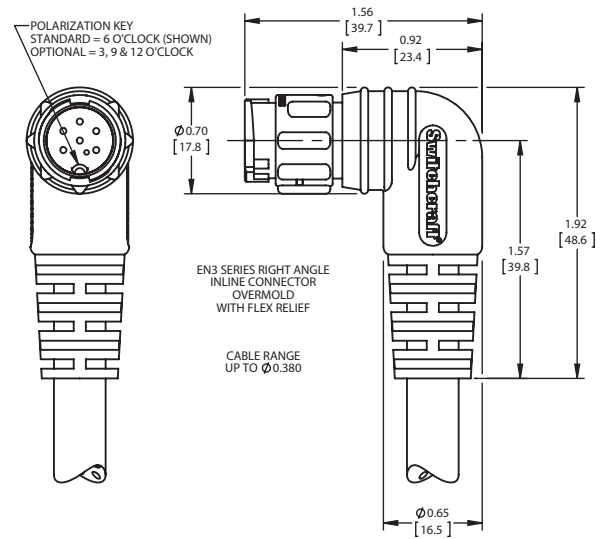
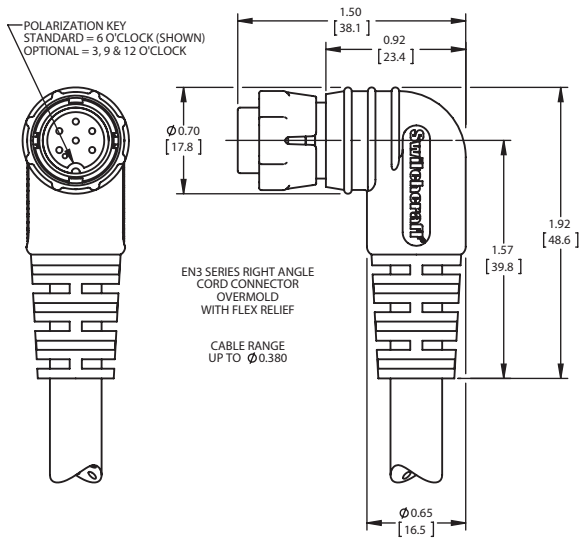
[CLICK HERE TO START YOUR CUSTOM OVERMOLDED CABLE ASSEMBLY](#)

EN3

Utilizing an integral O-Ring/gasket, EN3® custom cable assemblies are available in 2-18 pins/sockets in the same housing size and come in a variety of mold options such as straight with and without strain relief, right angle with strain relief and quick disconnect with strain relief. Exceeds enclosure rating IP66/IP68 and NEMA 250 when mated or covered.



[Click here for more information.](#)



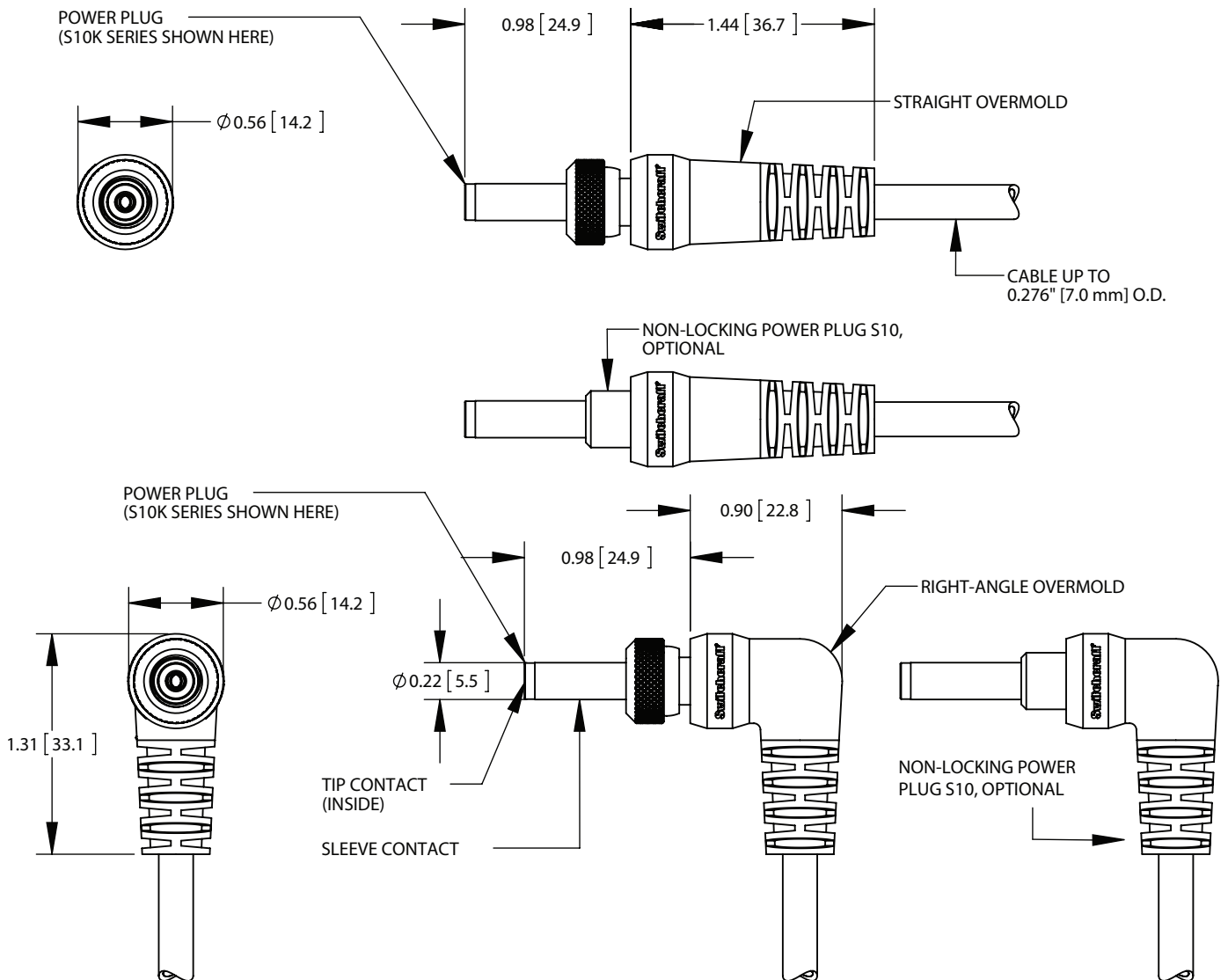
[CLICK HERE TO START YOUR CUSTOM OVERMOLDED CABLE ASSEMBLY](#)

HI-AMP POWER PLUGS

A rugged construction making these hi-amperage overmolded power plugs perfect for harsh environments. Available in a straight cable-end overmold or right-angle cable-end overmold, these power plugs are the perfect option for mobile equipment, such as monitoring equipment or outdoor lighting. These new power plugs provide a more slim line overmold option for protection from harsh environments and excellent flex relief.



[Click here for more information.](#)



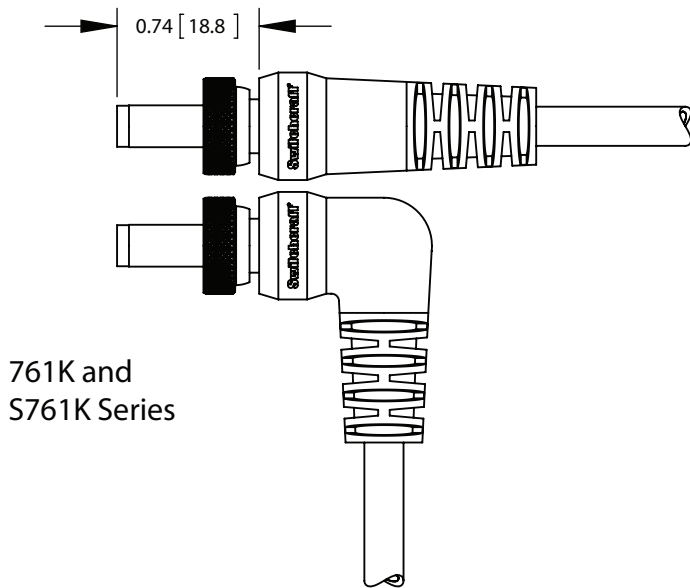
[CLICK HERE TO START YOUR CUSTOM OVERMOLDED CABLE ASSEMBLY](#)

STANDARD POWER PLUGS

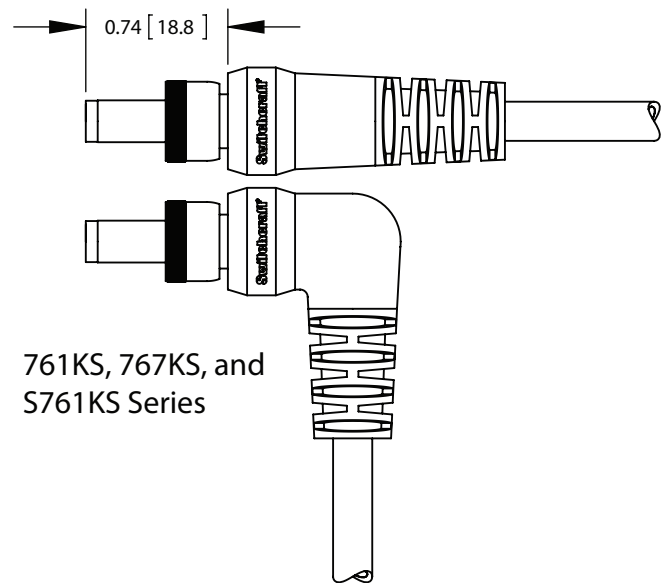
Overmold options for the 761KS, 767KS, S761KS, 761K, S761K, 760, S760, 760K and S760K Series of power plugs. A rugged construction making these overmolded plugs perfect for harsh environments. Available in a straight cable-end overmold or right-angle cable-end overmold, these power plugs are the perfect option for mobile equipment, such as monitoring equipment or outdoor lighting. These new power plugs provide a more slim line overmold option for protection from harsh environments and excellent flex relief.



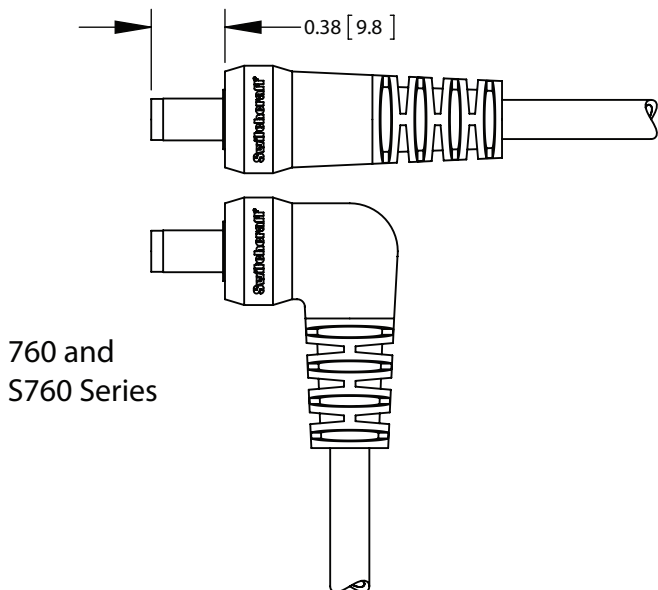
[Click here for more information.](#)



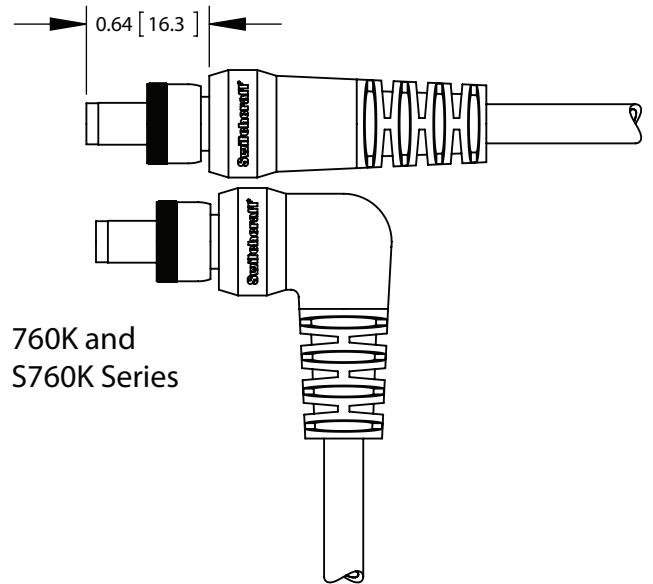
761K and S761K Series



761KS, 767KS, and S761KS Series



760 and S760 Series



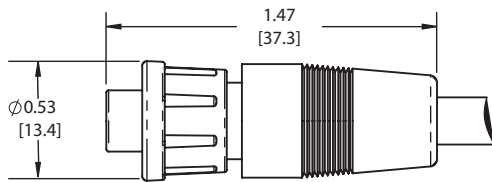
760K and S760K Series

[CLICK HERE TO START YOUR CUSTOM OVERMOLDED CABLE ASSEMBLY](#)

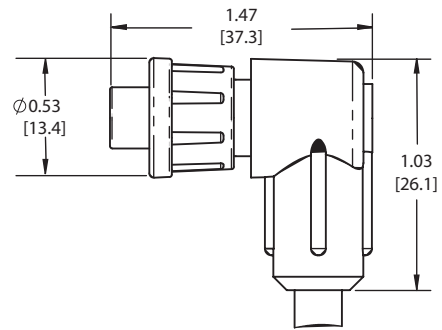
MICRO-CON-X

Utilizing a separate o-ring, Micro Con X® cables are available up to 3-#20 pins/sockets, 4-#22 pins/sockets, and 7-#26 pins/sockets. Meets NEMA 6P when mated.

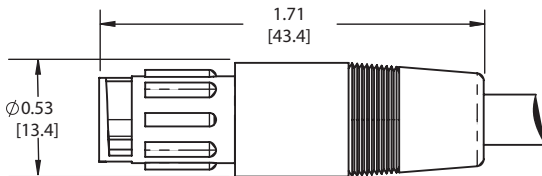
[Click here for more information.](#)



16XXX-XXG
CABLE CONNECTOR
STRAIGHT OVERMOLDED



16XXX-XXG
CABLE CONNECTOR
RIGHT ANGLE OVERMOLDED



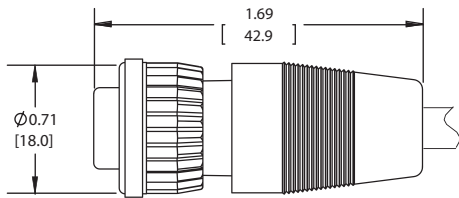
18XXX-XXG
CABLE TO CABLE CONNECTOR
STRAIGHT OVERMOLDED

[CLICK HERE TO START YOUR CUSTOM OVERMOLDED CABLE ASSEMBLY](#)

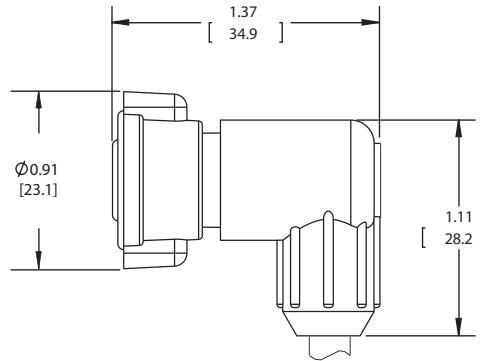
MINI-CON-X

Utilizing a separate o-ring, Mini Con X® cables are available up to 4-#16 pins/sockets, 6-#20 pins/sockets, 5-#16 cable end socket and 7&8-#20 cable end sockets. Meets NEMA 6P when mated.

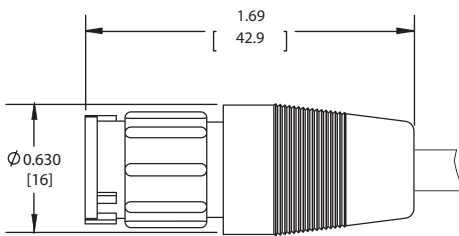
[Click here for more information.](#)



6XXX-XXG
CUSTOM CABLE CONNECTOR
STRAIGHT OVERMOLDED



6XXX-XXG
CUSTOM CABLE CONNECTOR
RIGHT ANGLE OVERMOLDED



8XXX-XXG
CUSTOM CABLE TO CABLE CONNECTOR
STRAIGHT OVERMOLDED

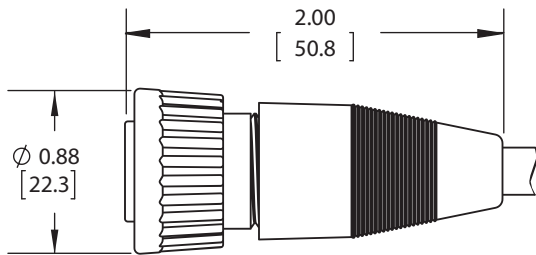
Note: Mini-Con-X can be overmolded onto an extended well panel mount. Straight version only.
Available in: 2#20, 4#20 and 6#20 female
Available in: 4#20, 6#20 and 7#20 male

[CLICK HERE TO START YOUR CUSTOM OVERMOLDED CABLE ASSEMBLY](#)

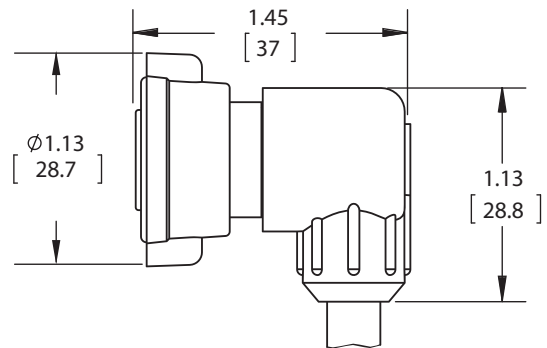
MULTI-CON-X

Utilizing a separate o-ring, Multi Con X® cables are available up to 3-#12 pins/sockets, 4-#16 pins/sockets, and 9-#20 pins/sockets. 4-#12 and 5&6-#16 available in cable end socket only. Meets NEMA 6P when mated.

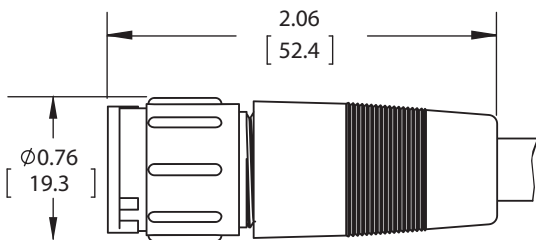
[Click here for more information.](#)



4XXX-XXG
CUSTOM CABLE CONNECTOR
STRAIGHT OVERMOLDED



4XXX-XXG
CUSTOM CABLE CONNECTOR
RIGHT ANGLE OVERMOLDED



5XXX-XXG
CUSTOM CABLE TO CABLE CONNECTOR
STRAIGHT OVERMOLDED

Note: Multi-Con-X can be overmolded onto an extended well panel mount. Straight version only.

Available in: 5#20, 6#20 and 9#20 male

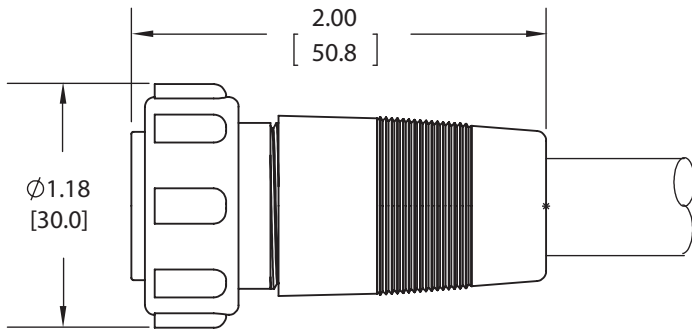
Available in: 4#20 and 9#20 female

[CLICK HERE TO START YOUR CUSTOM OVERMOLDED CABLE ASSEMBLY](#)

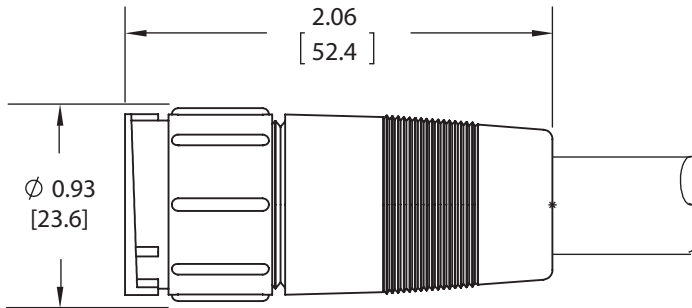
MAXI-CON-X

Utilizing a separate o-ring, Maxi Con X[®] cables are available up to 7-#12 pins/sockets, 10-#16 pins/sockets, 18-#20 pins/sockets, 20-#20 sockets only. Meets NEMA 6P when mated.

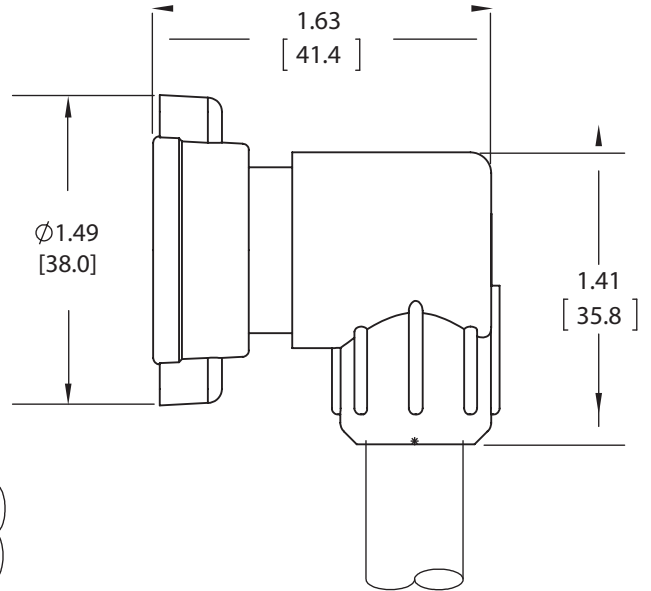
[Click here for more information.](#)



13XXX-XXG
CUSTOM CABLE CONNECTOR
STRAIGHT OVERMOLDED



15XXX-XXG
CUSTOM CABLE TO CABLE CONNECTOR
STRAIGHT OVERMOLDED



13XXX-XXG
CABLE CONNECTOR
RIGHT ANGLE OVERMOLDED
CABLE ONLY

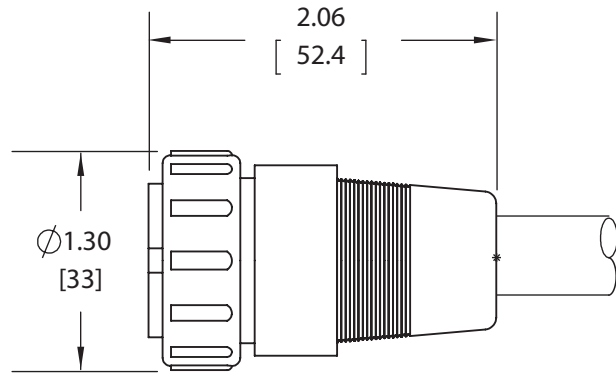
[CLICK HERE TO START YOUR CUSTOM OVERMOLDED CABLE ASSEMBLY](#)

MEGA-CON-X

Utilizing a separate o-ring, Mega Con X® cables are available up to 31-#20 pins/sockets. Can be ordered with quick connect type or threaded type coupling. Meets NEMA 6P when mated.

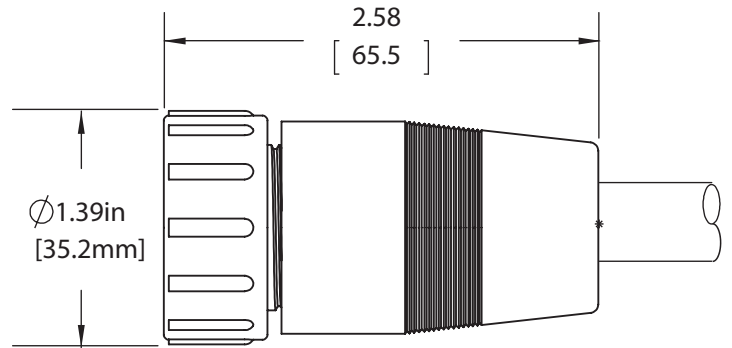


[Click here for more information.](#)



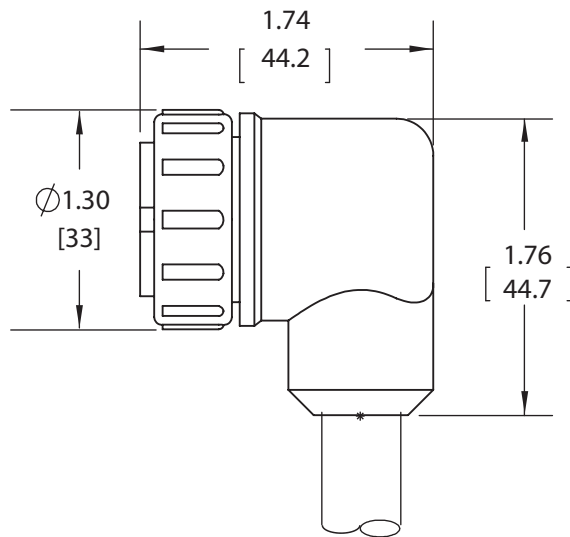
232XX-31XG

CUSTOM CABLE CONNECTOR STRAIGHT
OVERMOLDED QUICK CONNECT TYPE



232XX-31XG

CUSTOM CABLE CONNECTOR STRAIGHT
OVERMOLDED THREADED CONNECT TYPE



232XX-31XG

CUSTOM CABLE CONNECTOR RIGHT ANGLE
OVERMOLDED QUICK CONNECT TYPE

[CLICK HERE TO START YOUR CUSTOM OVERMOLDED CABLE ASSEMBLY](#)

SHIELDED ASSEMBLIES

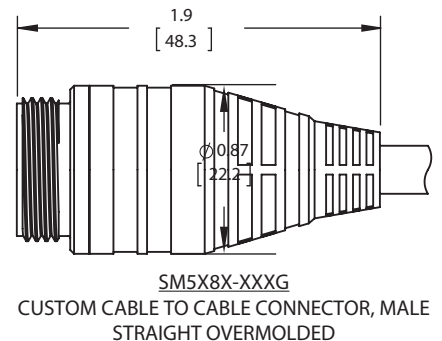
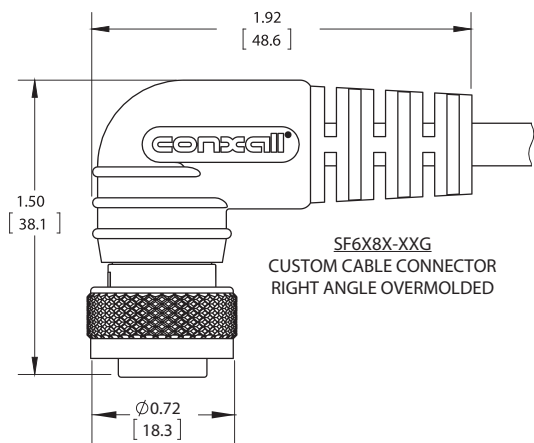
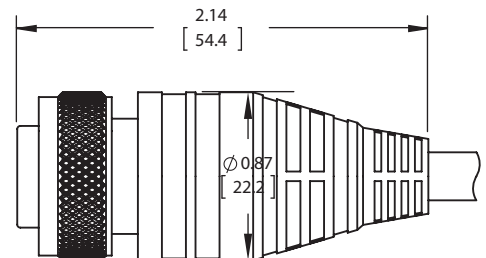
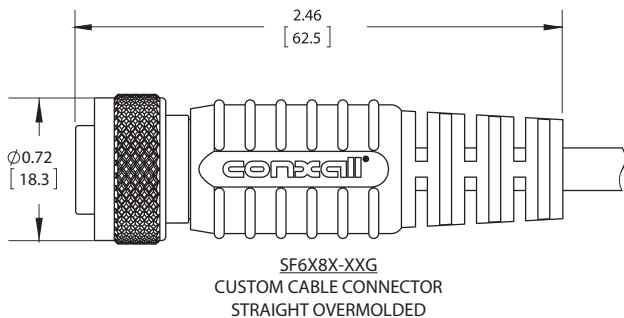
Overmolded Shielded Mini-Con-X® connectors are available in straight and right-angle versions in both PVC and Santoprene. These rugged connectors have the same pin counts as the assembled version and a functional flex-relief. Overmolded Shielded Multi-Con-X® connectors are available in straight and right-angle versions. These rugged connectors have the same pin counts as assembled version.

[Click here for more information.](#)



Shielded Mini-Con-X

Shielded Multi-Con-X

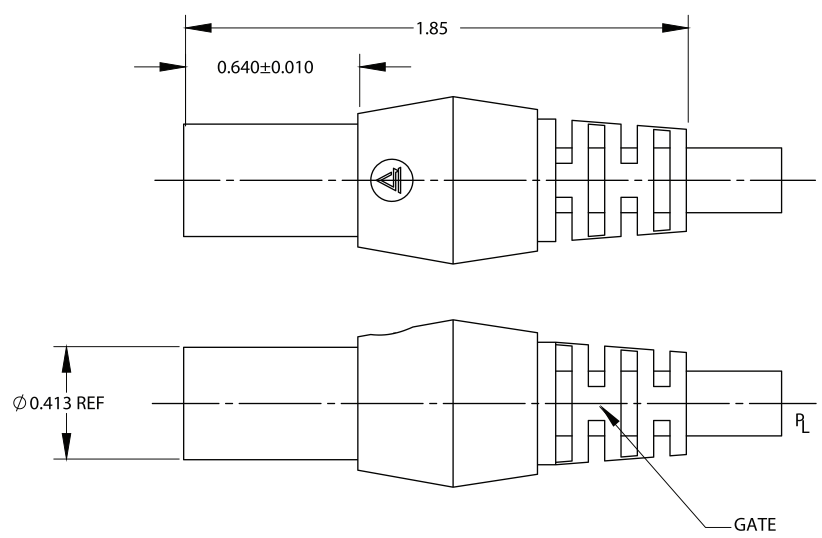
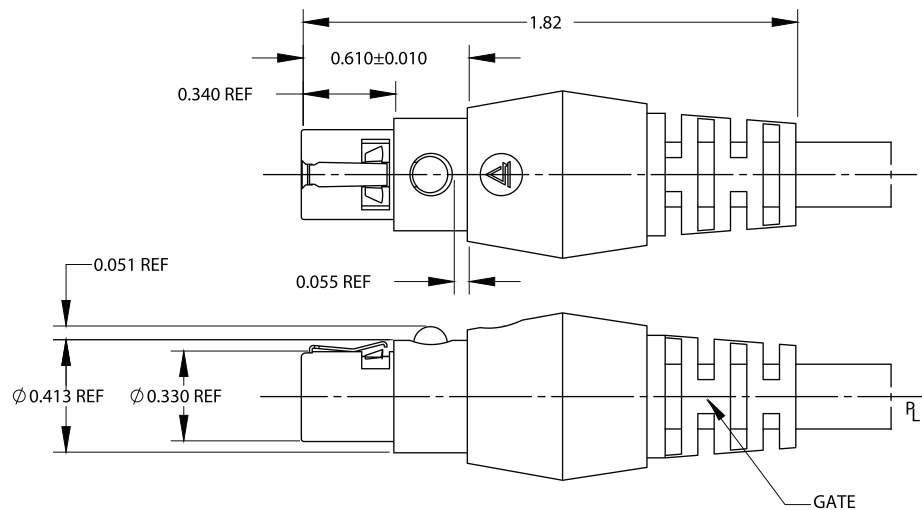


[CLICK HERE TO START YOUR CUSTOM OVERMOLDED CABLE ASSEMBLY](#)

SHIELDED MINI XLR

Tini Q-G® miniature plugs offer 3- through 6-pin/contact connecting with full shielding, small size, RFI-protected termination of analog/digital circuits/equipment. Typical applications are for EIA RS-232C and RS-449 type connections. Plugs retain all Tini Q-G® features, including latchlock, strain relief, flex relief, polarization and “scoop-proof” construction. See Connector Section for details on features and specifications. Shielding of these plugs meets U.S. Navy Tempest requirements with proper cable and mating connector choice.

[Click here for more information.](#)



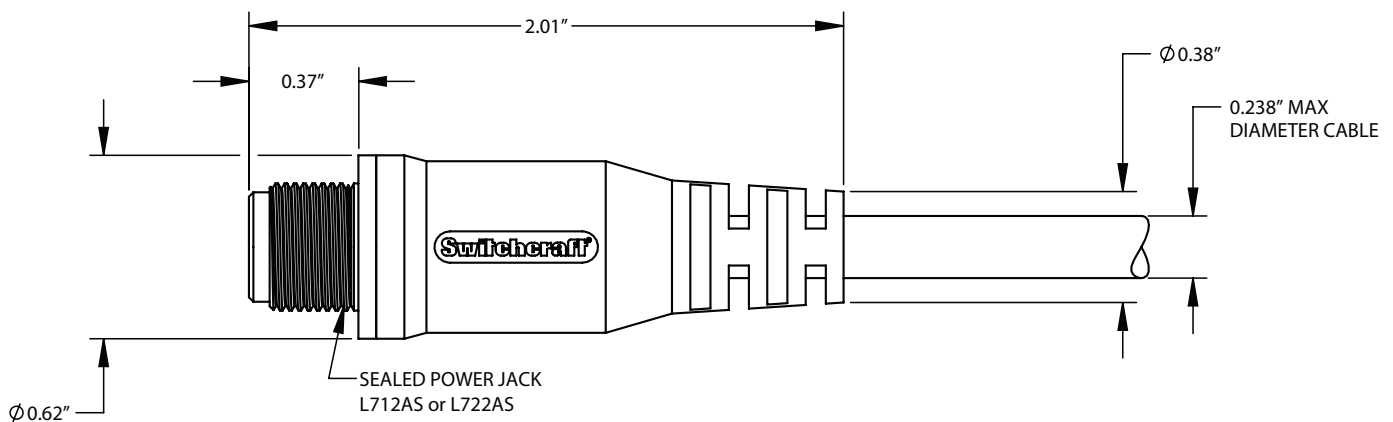
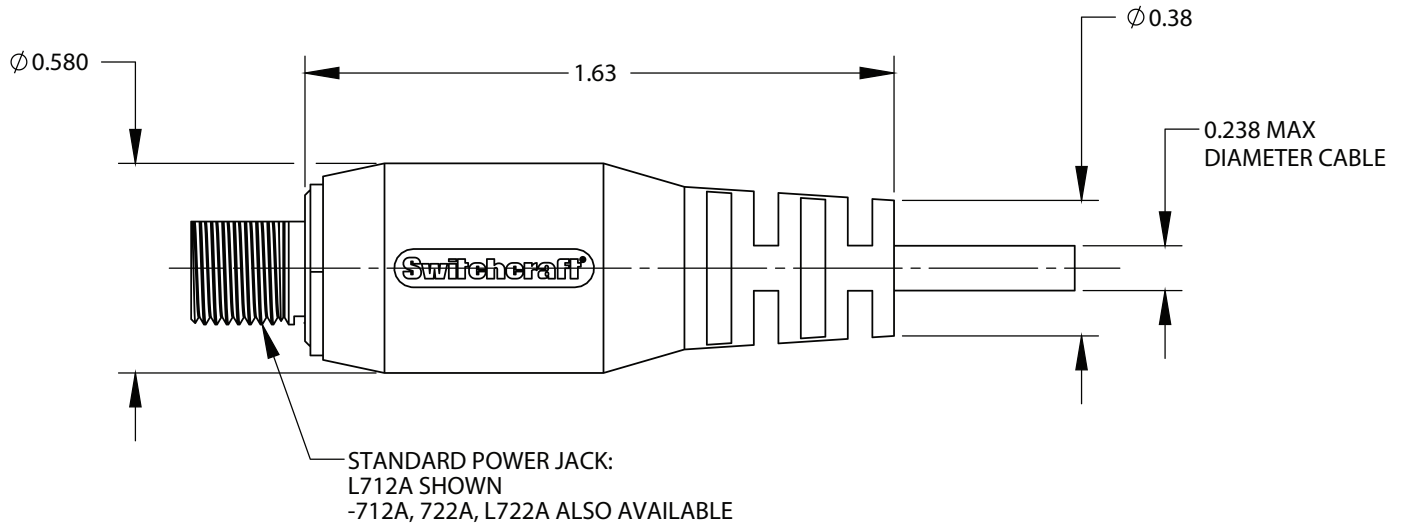
[CLICK HERE TO START YOUR CUSTOM OVERMOLDED CABLE ASSEMBLY](#)

POWER JACKS

Straight cable overmold for cable-to-cable or panel mount. Mates with standard power plugs.

Sealed power jack molded cable assembly allows for cable-to-cable mating with field installable sealed power plugs or molded cable sealed power plugs.

[Click here for more information.](#)



[CLICK HERE TO START YOUR CUSTOM OVERMOLDED CABLE ASSEMBLY](#)