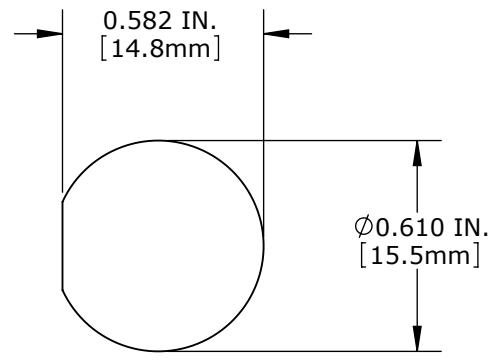
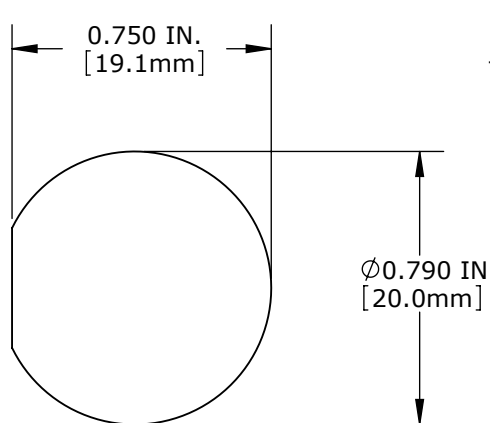


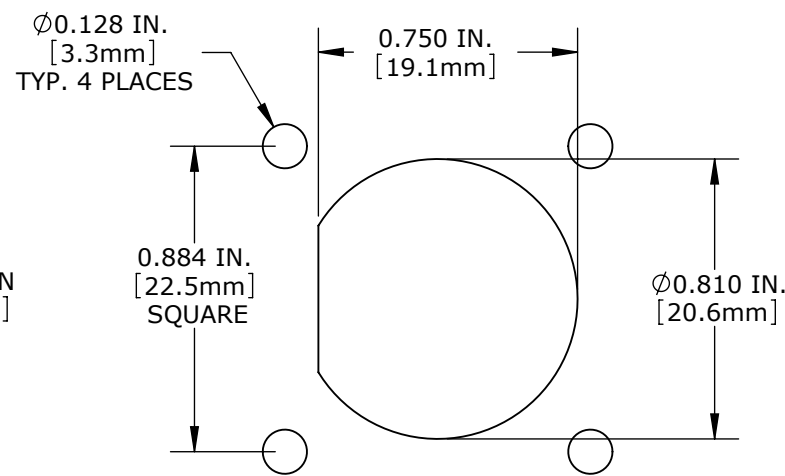
MICRO-CON-X



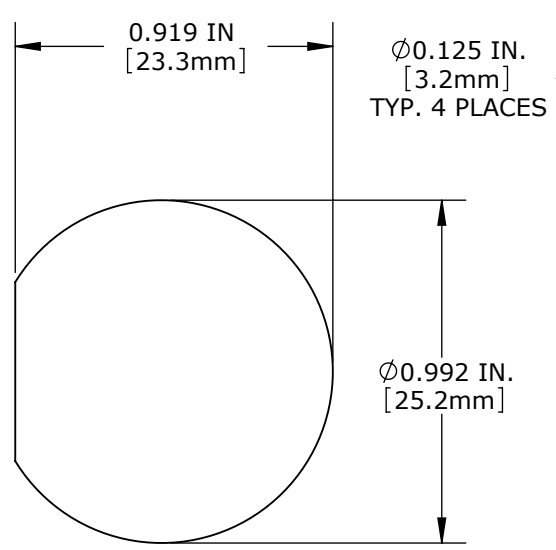
MINI-CON-X



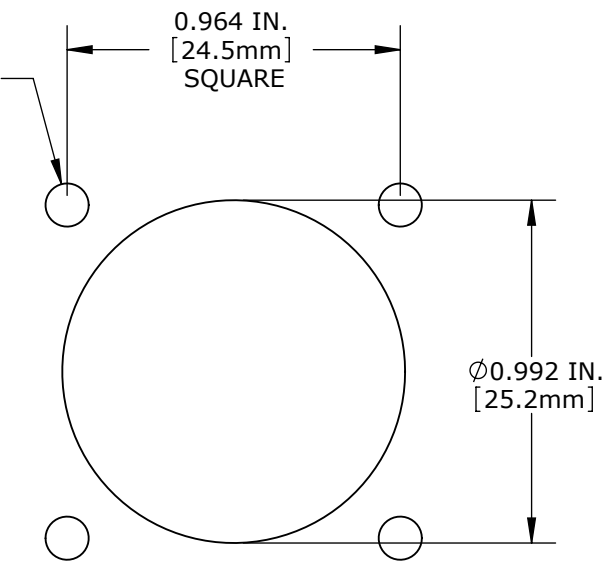
MULTI-CON-X



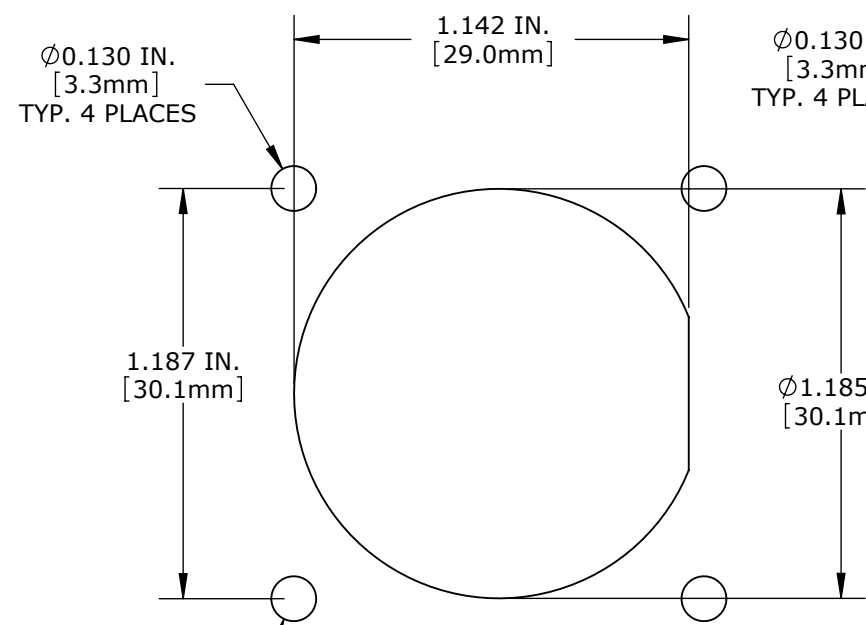
SQUARE FLANGE



MAXI-CON-X

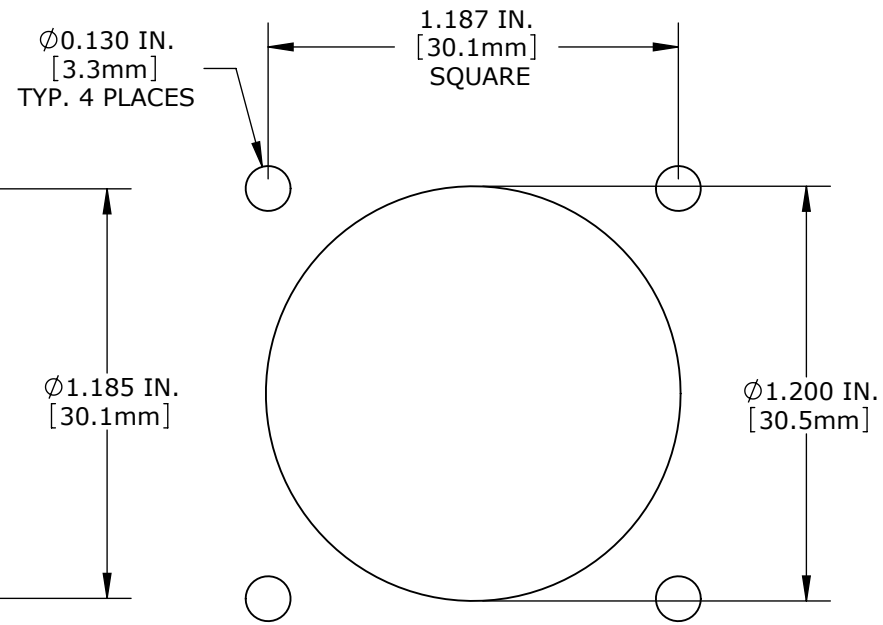


SQUARE FLANGE



QUICK CONNECT

OPTIONAL



THREADED

MEGA-CON-X

**RECOMMENDED
PANEL CUTOUT**

TOLERANCES ±0.003 [±0.1mm]

PART NUMBER: PNL CUTOUT_CONX

A	AN	09-29-10	DRAWING CREATED PER DOR 10-2768KL	
REV.	INIT.	DATE	DESCRIPTION	
	AN	09-29-10	ORIG. DRAWN BY: AN DATE: 09-29-10 CHECKED BY: APPROVED BY: TITLE: PANEL CUTOUTS MICRO-CON-X, MINI-CON-X, MULTI-CON-X MAXI-CON-X & MEGA-CON-X CUSTOMER: CXA	
ALL INFORMATION ILLUSTRATED IS THE PROPERTY OF CONXALL CORPORATION. UNAUTHORIZED DUPLICATION OR DISTRIBUTION OF THIS DOCUMENT IS PROHIBITED.				
ALL UNITS ARE IN FEET, INCHES, FRACTION OF INCHES AND DECIMALS. UNLESS OTHERWISE SPECIFIED TOLERANCES: 3 PLACE DECIMALS ±.005 ANGLES ±1° FRACTIONS ±1/16			601 E. WILDWOOD VILLA PARK, IL 60181	
FILE: PNL CUTOUT_CONX DIRECTORY: SLW			SCALE: NTS SIZE: B SHEET: 1 OF 1	
PART NUMBER: PNL CUTOUT_CONX			REV: A	