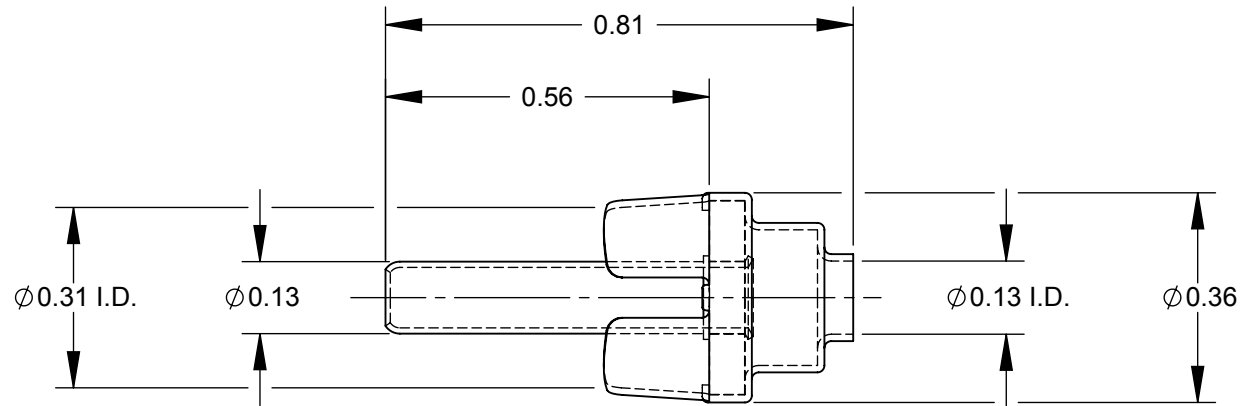
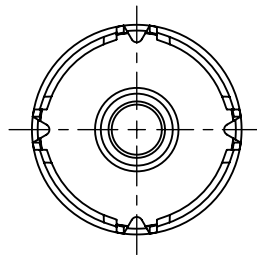
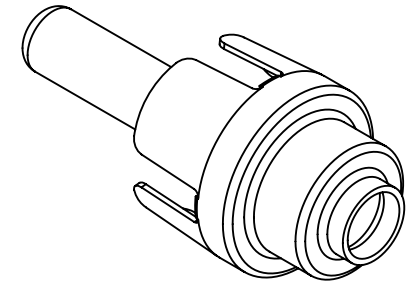


NOTES:

- MATERIALS:
 PIN - BRASS, NICKEL PLATED
 INSULATION WAFER, XXXP
 SLEEVE - BRASS, NICKEL PLATED
- THIS PRODUCT IS RoHS COMPLIANT.



CUSTOMER DRAWING

| | | | | | | | | | |
|-------------------------------|------------|---------|----|------|--|-------|-------|-----------|--------|
| | | | | | THIS DRAWING DESCRIBES A DESIGN CONSIDERED PROPRIETARY IN NATURE, DEVELOPED AND MANUFACTURED BY SWITCHCRAFT INC. AND IS RELEASED ON A CONFIDENTIAL BASIS FOR IDENTIFICATION PURPOSES ONLY. | | | | |
| | | | | | SIZE | WIDTH | MULT | LBS/M | TEMPER |
| UNLESS OTHERWISE SPECIFIED | | | | | FINISH | | | MATERIAL | |
| 1. ALL DIMENSIONS IN INCHES | | | | | SEE NOTES | | | SEE NOTES | |
| - TWO PLACE DECIMALS ±0.02 | | | | | SPEC No. | | | SPEC No. | |
| - THREE PLACE DECIMALS ±0.005 | | | | | FIRST USED ON | | SCALE | | |
| | | | | | | | 3:1 | | |
| | | | | | DATE DRAWN | BY | CHKD | APVD | |
| | | | | | 8-17-06 | RF | RF | TJK | |
| | | | | | 8-17-06 | | | 4-22-10 | |
| | | | | | NAME | | | PART No. | |
| | | | | | PHONO PLUG | | | 3501MX | |
| | | | | | TWO CONDUCTOR, RoHS | | | REV | |
| | | | | | | | | A | |
| REVISIONS | | | | | DO NOT SCALE DRAWING | | | | |
| A | 25259 | 8-17-06 | RF | TJK | | | | | |
| REV | ECO NUMBER | DATE | BY | APVD | | | | | |

