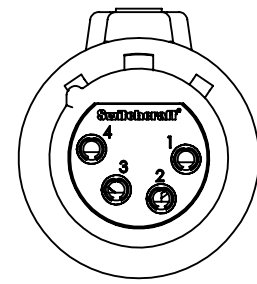
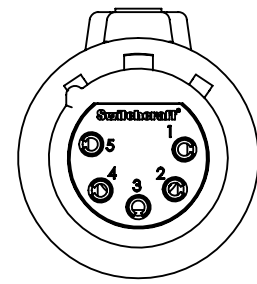


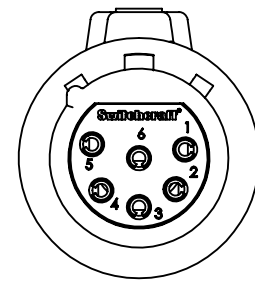
3 PIN



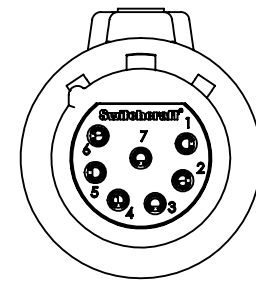
4 PIN



5 PIN

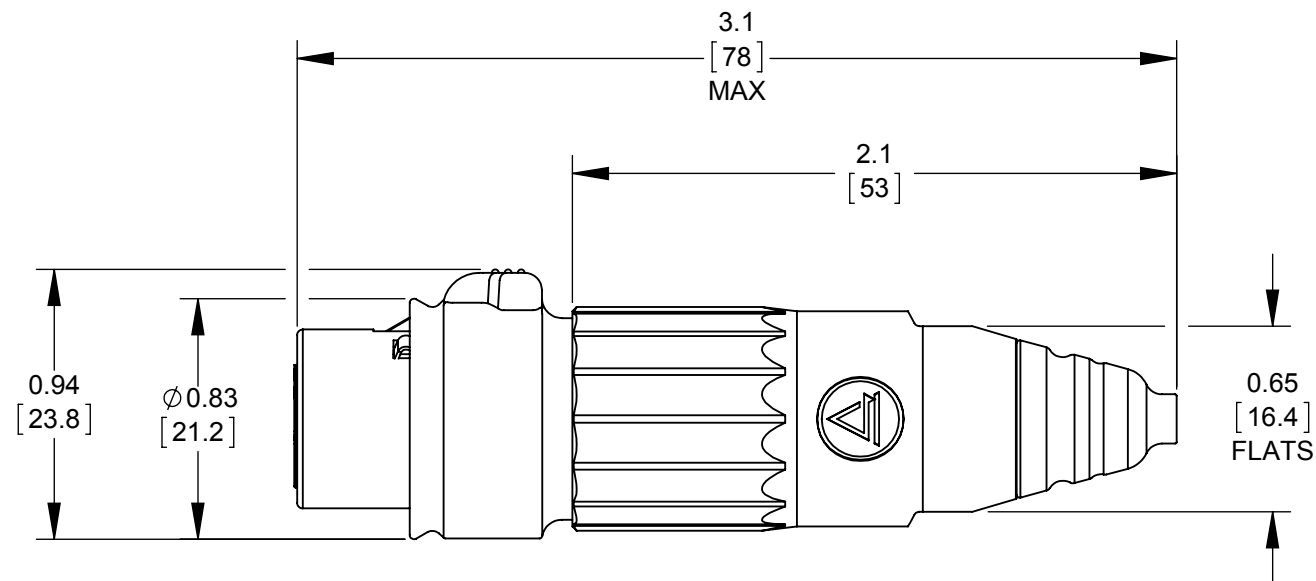


6 PIN



7 PIN

CONTACTS AS VIEWED FACING FEMALE CONNECTORS



AAA

F

ZH

AAA SERIES

OF CONTACTS:
3 - 7

GENDER:
FEMALE

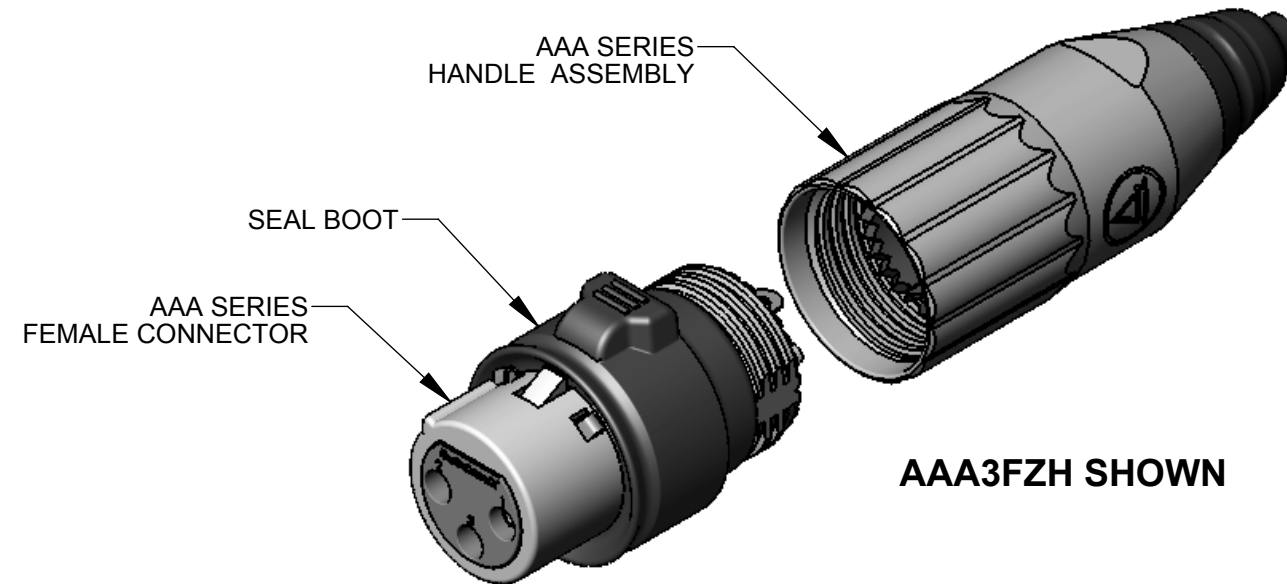
HANDLE STYLE:
BLANK - METAL HANDLE
P - PLASTIC HANDLE, BLACK

FINISH:
BLANK - NICKEL HOUSING, LATCH, & HANDLE/
GREEN INSERT
B - BLACK HOUSING, LATCH, HANDLE, & INSERT

CONTACT PLATING:
BLANK - SILVER
AU - GOLD

CABLE STRAIN-RELIEF SIZE:
BLANK - FOR CABLE O.D. 0.150 [3.8 mm] - 0.285 [7.2 mm]

SEALED
HARSH
ENVIRONMENT



AAA3FZH SHOWN

CUSTOMER DRAWING

NOTES:

- CONNECTORS AND HANDLES SHIPPED UNASSEMBLED, PACKED SIDE BY SIDE OR IN BULK.
- MATERIALS:
HOUSING, LATCH, HANDLE - ZINC ALLOY, NICKEL OR BLACK FINISH
INSULATOR - THERMOPLASTIC, GREEN OR BLACK
CABLE CLAMP - THERMOPLASTIC, BLACK
GROUND TERMINAL - COPPER ALLOY, TIN PLATED
CONTACTS - COPPER ALLOY, SILVER OR GOLD PLATED
SEAL BOOT, CABLE STRAIN-RELIEF - ELASTOMER, BLACK
- THESE PRODUCTS ARE RoHS COMPLIANT.

REV	ECO NUMBER	DATE	BY	APVD
A	27284	4/17/14	TJK	TJK
REVISIONS				

UNLESS OTHERWISE SPECIFIED

1. ALL DIMENSIONS IN INCHES
- TWO PLACE DECIMALS ±0.02
- THREE PLACE DECIMALS ±0.005

DO NOT SCALE DRAWING

THIS DRAWING DESCRIBES A DESIGN CONSIDERED PROPRIETARY IN NATURE, DEVELOPED AND MANUFACTURED BY SWITCHCRAFT INC. AND IS RELEASED ON A CONFIDENTIAL BASIS FOR IDENTIFICATION PURPOSES ONLY.									
SIZE	WIDTH	MULT	LBS/M	TEMPER					
FINISH					MATERIAL				
SPEC No.					SPEC No.				
FIRST USED ON					SCALE				
					1.5:1				
DATE DRAWN	BY	CHKD	APVD						
4/12/12	PNK	PNK	SRC						
			4/12/12			4/12/12			
NAME					PART No.				
SEALED AAA FEMALE					AAA_F_ZH SERIES				
XLR CONNECTORS, RoHS					REV				
					A				