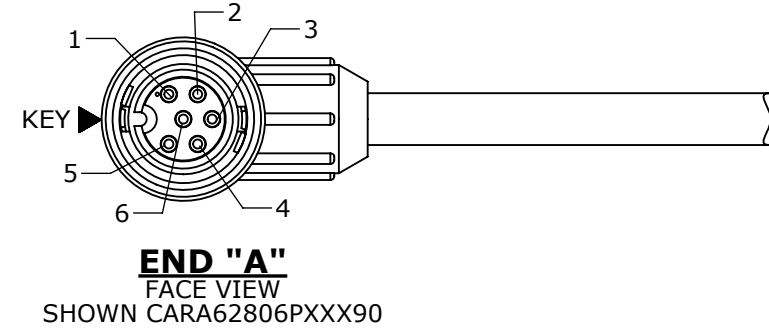
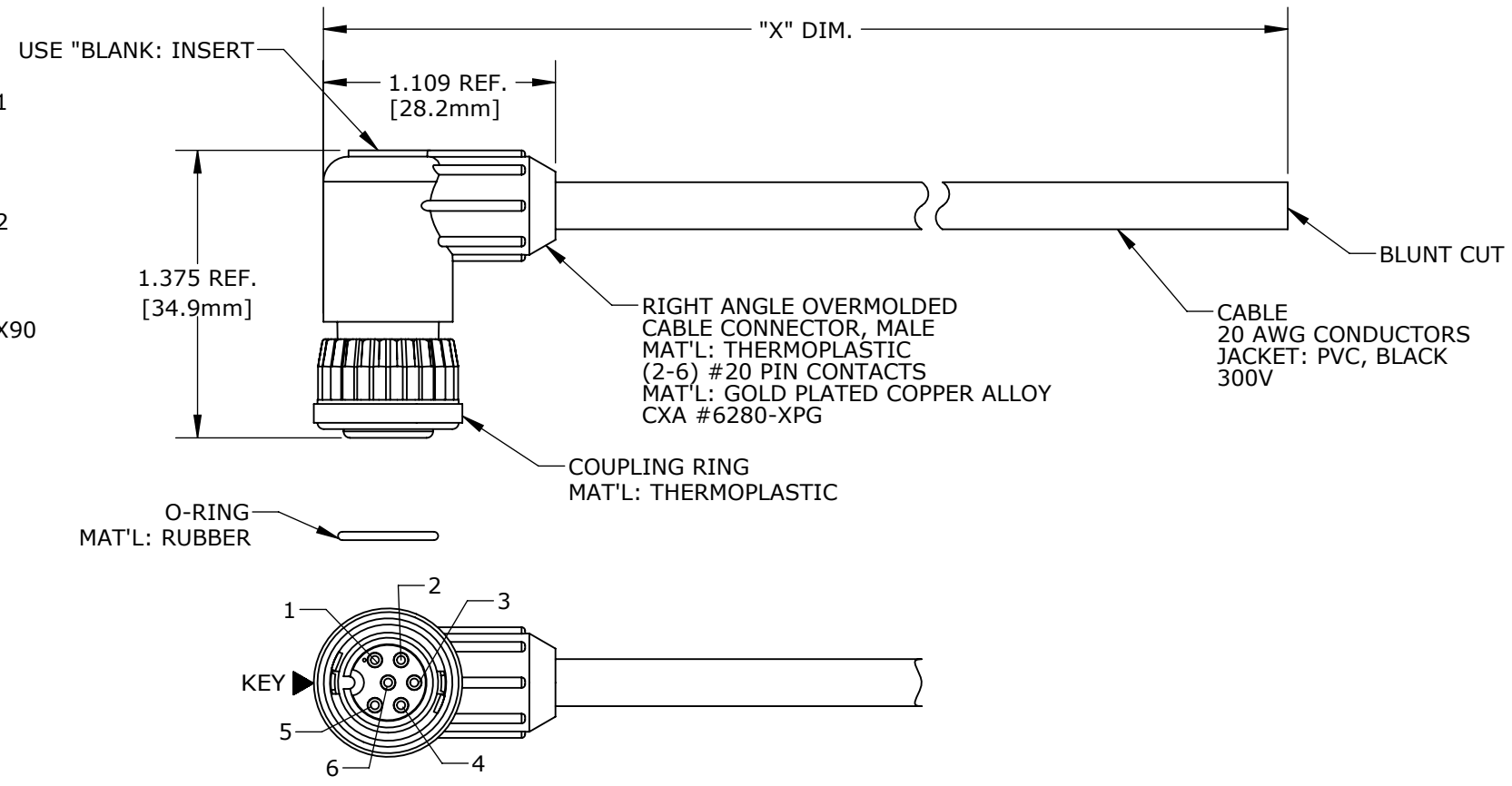
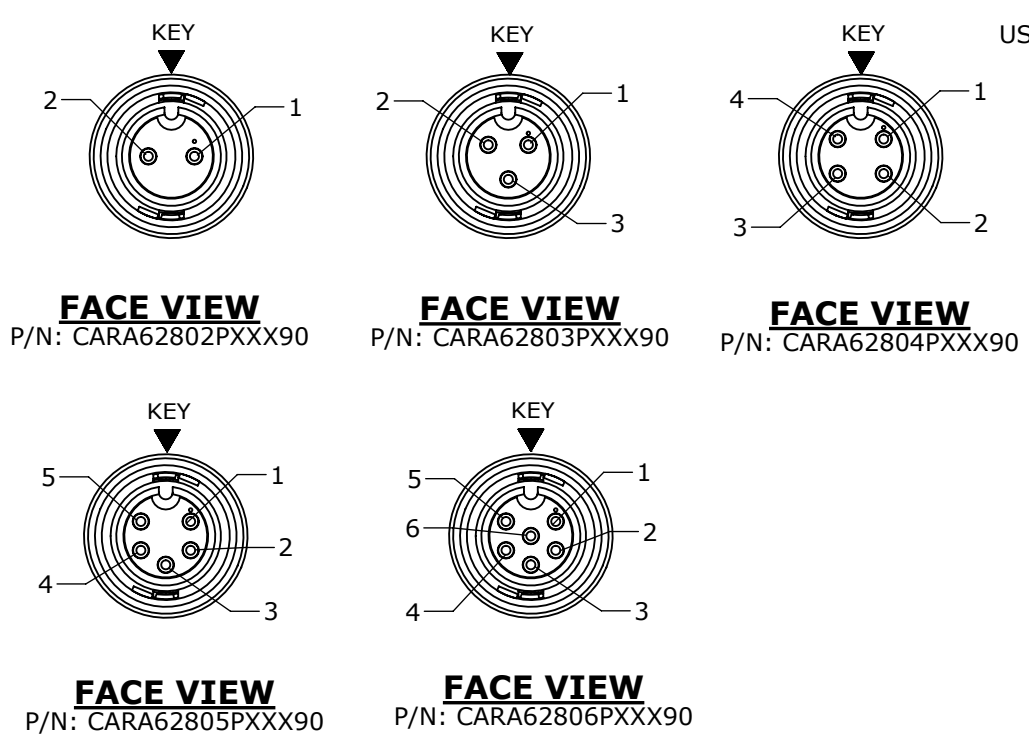


NOTES:

1. FINISHED CABLE ASSEMBLY TO BE COILED
2. OVERMOLD BOOT MATERIAL: PVC, BLACK
3. ELECTRICAL TEST: 100% CONTINUITY

ASS'Y P/N	NO. OF POS.	"X" DIM.
CARA62802P07990	2	6 FT. 7 IN. ±2 IN. [2M]
CARA62803P07990	3	
CARA62804P07990	4	
CARA62805P07990	5	
CARA62806P07990	6	
CARA6280XPXXX90		

— CABLE LENGTH IN "INCHES"
 — NO OF POSITIONS



CUSTOMER PRINT

PART NUMBER: CARA6280XPXXX90

ASSY P/N	CABLE	COLOR CODE END "A"					
CARA62802PXXX90	2/20 AWG O.D. 0.215 REF	COLOR CODE					
		POS. 1	POS. 2				
		BLK	WHT				
CARA62803PXXX90	3/20 AWG O.D. 0.220 REF	WIRE COLOR CODE					
		POS. 1	POS. 2	POS. 3			
		BLK	WHT	GRN			
CARA62804PXXX90	4/20 AWG O.D. 0.235 REF	WIRE COLOR CODE					
		POS. 1	POS. 2	POS. 3	POS. 4		
		BLK	WHT	GRN	RED		
CARA62805PXXX90	5/20 AWG O.D. 0.255 REF	WIRE COLOR CODE					
		POS. 1	POS. 2	POS. 3	POS. 4	POS. 5	
		BLK	WHT	GRN	RED	BLU	
CARA62806PXXX90	6/20 AWG O.D. 0.275 REF	WIRE COLOR CODE					
		POS. 1	POS. 2	POS. 3	POS. 4	POS. 5	POS. 6
		BLK	WHT	GRN	RED	BLU	VIO

CUSTOMER APPROVAL

THIS DOCUMENT CONTAINS CONFIDENTIAL INFORMATION PROPRIETARY TO CONXALL CORPORATION. ANY REPRODUCTION, DISCLOSURE, OR USE OF THIS DOCUMENT /INFORMATION IS EXPRESSLY PROHIBITED UNLESS AUTHORIZED IN WRITING BY CONXALL CORPORATION.

APPROVED BY: _____
 DATE: _____

B	AN	10-26-16	UPDATED MANUFACTURING DRAWING PER ECR 9122
A	AN	06-30-16	DRAWING CREATED PER DOR 16-7414JP
REV.	INIT.	DATE	DESCRIPTION
	AN	05-26-16	
ALL INFORMATION ILLUSTRATED IS THE PROPERTY OF "CONXALL CORPORATION." UNAUTHORIZED DUPLICATION OR DISTRIBUTION OF THIS DOCUMENT IS PROHIBITED.		ORIG. DRAWN BY:	DATE:
ALL UNITS ARE IN FEET, INCHES, FRACTION OF INCHES AND DECIMALS.		CHECKED BY:	
APPROVED BY:		TITLE:	
SCALE	SIZE	SHEET	CUSTOMER:
NTS	B	1 OF 1	STANDARD PRODUCT
FILE:	DIRECTORY:	PART NUMBER:	REV
CARA6280XPXXX90	SLW	CARA6280XPXXX90	B

DIMENSIONS IN BRACKET [] ARE METRIC. **RoHS COMPLIANT**