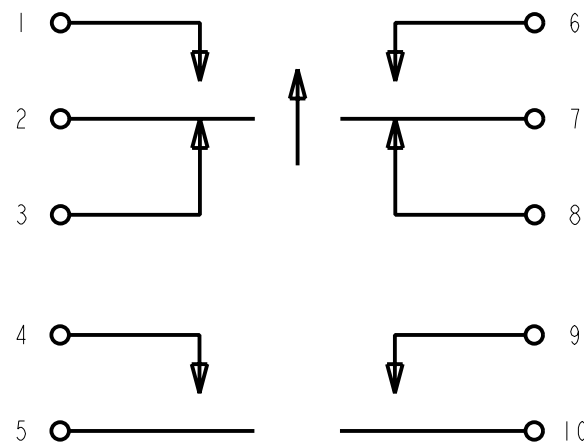


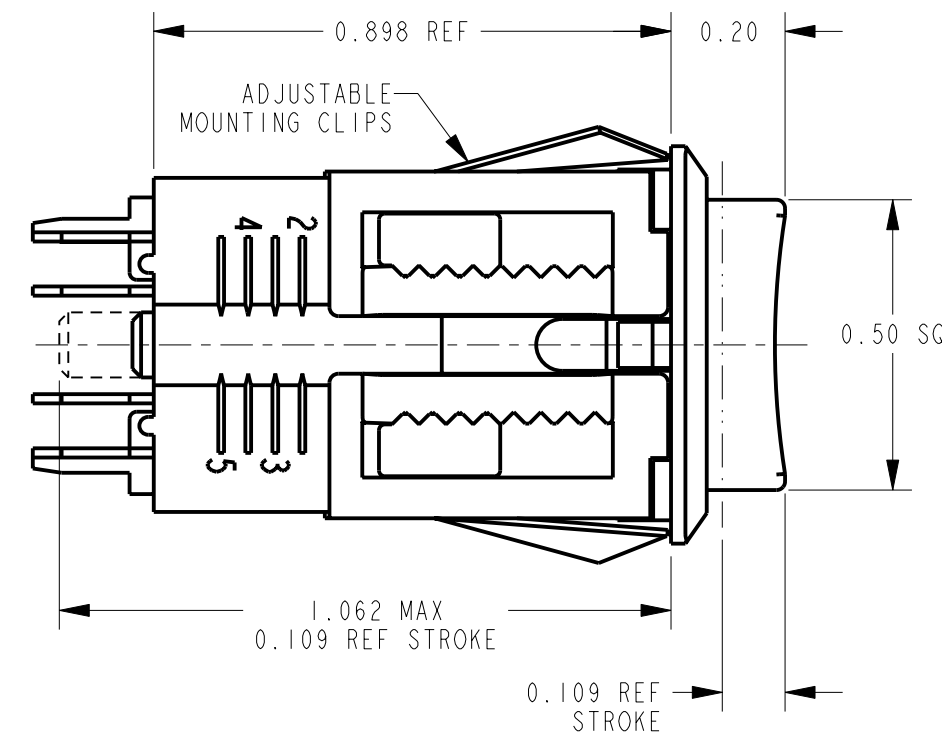
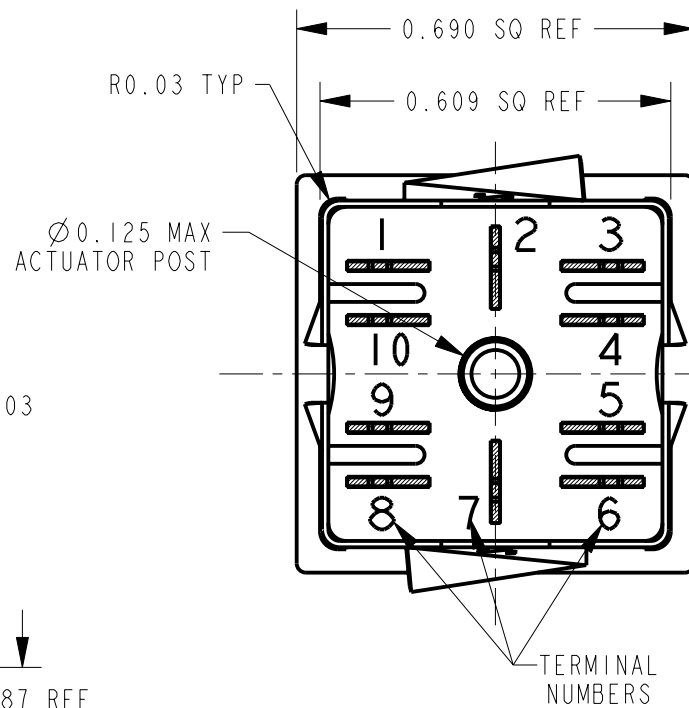
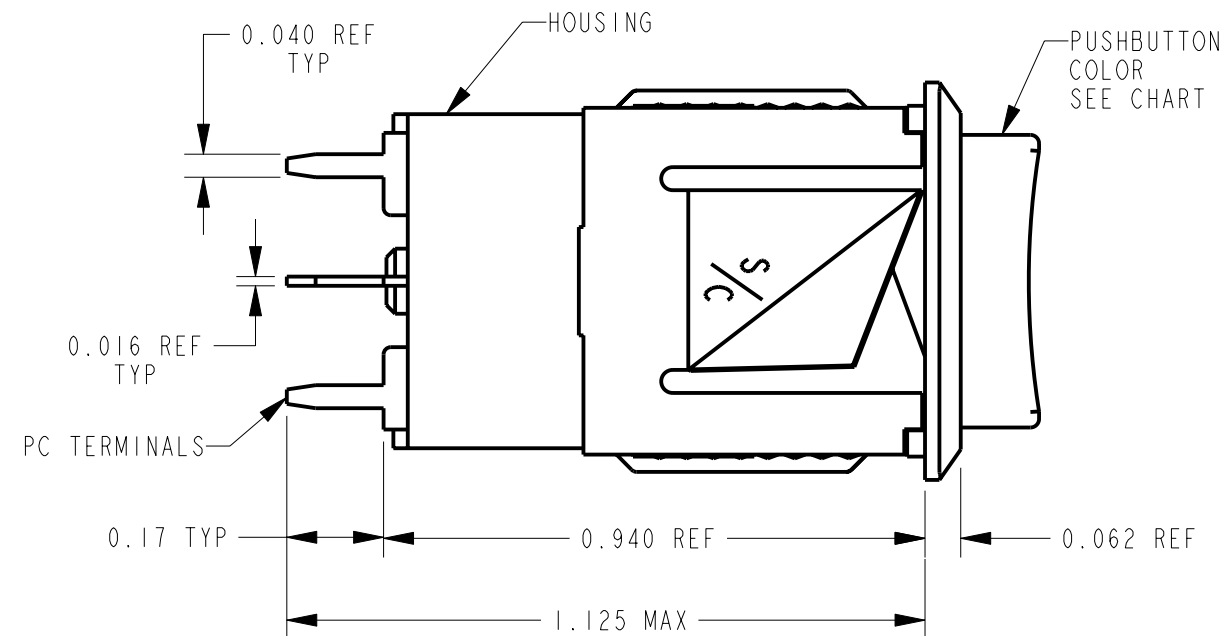
**NOTES:**

1. PC TERMINAL ARRANGEMENT: 1,2,3,4,5,6,7,8,9,10.
2. CONTACT RATING 0.25 AMP, 30 WATTS MAX, AC, NON - INDUCTIVE LOAD.
3. DIELECTRIC STRENGTH - 500 VOLTS, RMS. MIN.
4. SWITCH MOUNTS IN PANELS 0.047 TO 0.281 THICK.  
 POSITION 1: 0.047 - 0.094  
 POSITION 2: 0.094 - 0.141  
 POSITION 3: 0.141 - 0.188  
 POSITION 4: 0.188 - 0.234  
 POSITION 5: 0.234 - 0.281
5. MATERIALS:  
 HOUSING: THERMOPLASTIC, CHARCOAL GRAY  
 PUSHBUTTON: THERMOPLASTIC, COLOR (SEE CHART)  
 MOUNTING CLIP: COPPER ALLOY  
 CONTACT SPRING, INTEGRAL: COPPER ALLOY, SILVER PLATED  
 TERMINALS: COPPER ALLOY, SILVER PLATED  
 ACTUATOR: THERMOPLASTIC, BEIGE  
 SPRING: MUSIC WIRE, TINNED  
 RETAINER PLATE: PAPER EPOXY LAMINATE
6. THESE PRODUCTS ARE RoHS COMPLIANT.

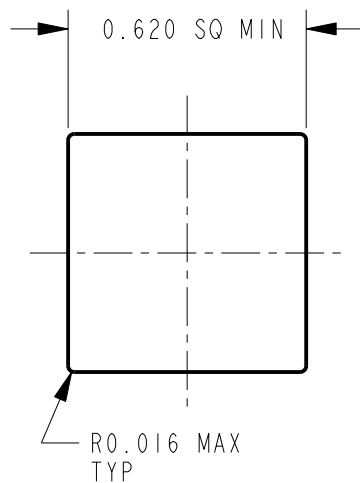
PART NUMBER	PUSHBUTTON COLOR
BXR0110PC	RED
BXR0210PC	BLACK
BXR0310PC	GREEN
BXR0510PC	WHITE



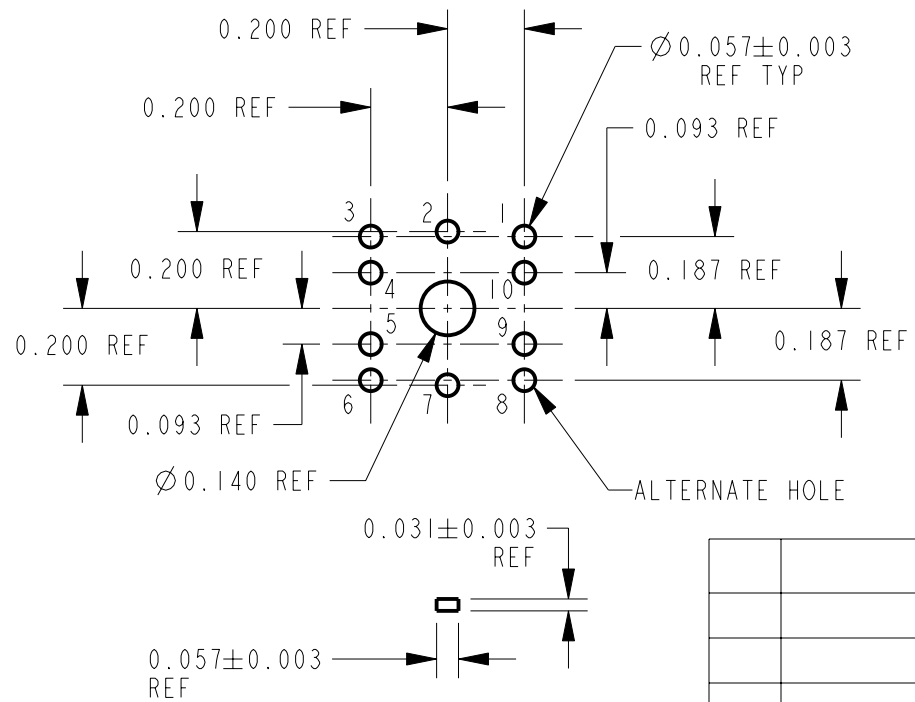
**SCHEMATIC**  
2-A + 2-C



CUSTOMER DRAWING



**PANEL CUTOUT**  
SCALE 2:1



ALTERNATE HOLE FOR HOLES ON 0.093 CENTERS  
ALTERNATE HOLES RECOMMENDED  
**RECOMMENDED PC BOARD LAYOUT**  
COMPONENT SIDE  
SCALE: 2=1

REV	ECO NUMBER	DATE	BY	APVD
C	27357	9-12-14	TO	TJK
B	26871	11-1-11	TO	TJK
A	22616	4-2-01	DA	RB

REVISIONS

★ STAR SYMBOL DENOTES CRITICAL DIMENSION  
 UNLESS OTHERWISE SPECIFIED  
 1. ALL DIMENSIONS IN INCHES  
 - TWO PLACE DECIMALS ±0.01  
 - THREE PLACE DECIMALS ±0.005  
 - ANGLES ±1°  
 - ALL DIA. CONCENTRIC WITHIN 0.005 T.I.R.  
 2. FEATURES ON THE SAME CENTERLINE MUST BE ALIGNED WITHIN ±0.002  
 3. REMOVE ALL BURRS  
 DO NOT SCALE DRAWING

THIS DRAWING DESCRIBES A DESIGN CONSIDERED PROPRIETARY IN NATURE, DEVELOPED AND MANUFACTURED BY SWITCHCRAFT INC. AND IS RELEASED ON A CONFIDENTIAL BASIS FOR IDENTIFICATION PURPOSES ONLY.				
SIZE	WIDTH	MULT	LBS/M	TEMPER
FINISH		MATERIAL		
SPEC No.		SPEC No.		
FIRST USED ON		SCALE		
		3:1		
DATE DRAWN	BY	CHKD	APVD	
30-Mar-01	DA	RB	RB	
		4-6-01	4-6-01	
NAME			PART No.	REV
BXR SWITCH, MOMENTARY PC TERMINALS, RoHS			BXR0_10PC SERIES	C

**Switchcraft**

SHEET 1 OF 1