

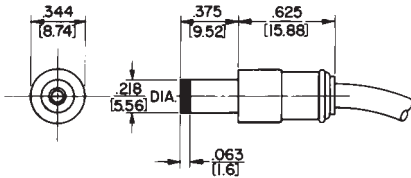
SWITCHCRAFT, INC. 5555 N. Elston Ave.
Chicago, IL 60630 FAX: 773 792-2129

www.switchcraft.com

MOLDED CABLE ASSEMBLIES With Power-Plug Battery Charger Plugs and Jacks

ST760, ST765

Termination Code: 47, 48



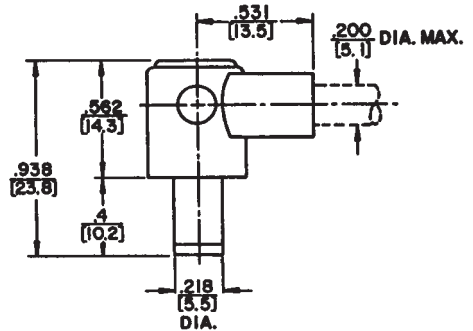
ST-760 .080-.084 DIA x .328 DEEP
(2.03-2.13) DIA x (8.33) DEEP

ST-765 .099-.103 DIA x .328 DEEP
(2.52-2.61) DIA x (8.33) DEEP

NOTE: ST760 is a molded version of S760;
ST765 is a molded version of 760.

RA760, RA765

Termination Code: 52, 53

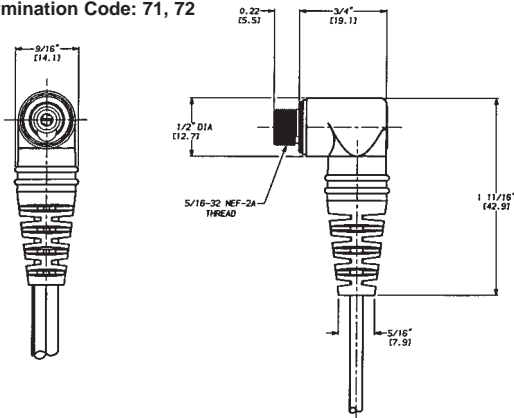


RA-760 .080-.084 DIA x .328 DEEP
(2.03-2.13) DIA x (8.33) DEEP

RA-765 .099-.103 DIA x .328 DEEP
(2.52-2.61) DIA x (8.33) DEEP

RA712A and RA722A

Termination Code: 71, 72



*RA712A
.108-.112" Split Pin
Collapses to fit .10" Diameter Pin

RA722A
.086-.090" Split Pin
Collapses to fit .08" Diameter Pin