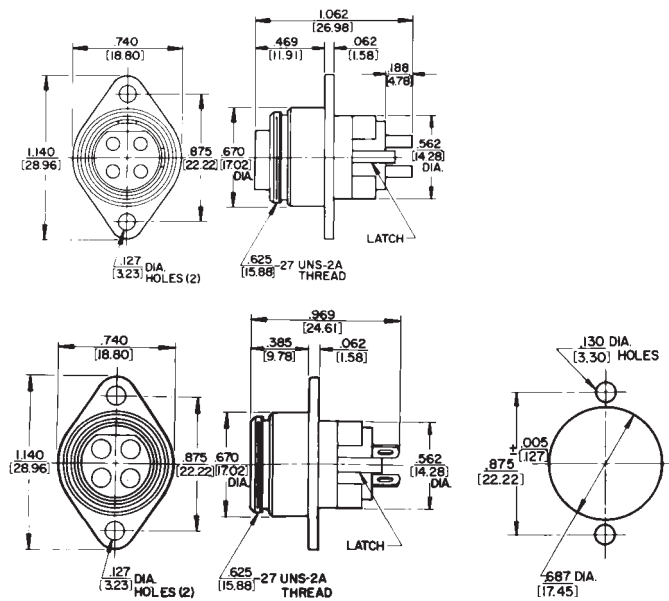


## SLIM-LINE CONNECTORS

### SL10 RECEPTACLES Flange Mount



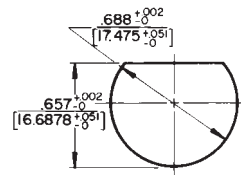
SL104F (typical)



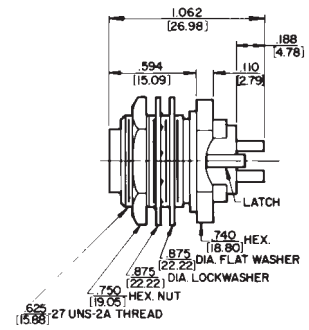
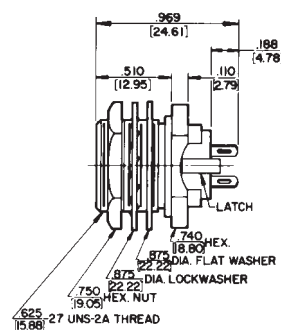
### SL17 RECEPTACLES Rear of Panel Mount



SL175F (typical)



### SL17 and SL18 Receptacles Non-turn panel cut-out



DIMENSIONS ARE FOR REFERENCE ONLY  $\frac{\text{Inch}}{\text{(mm)}}$

NOTE: Contact your Switchcraft Representative for price and delivery.