

SWITCHCRAFT, INC. 5555 N. Elston Ave.
Chicago, IL 60630 • 773 792-2700 • FAX: 773 792-2129

www.switchcraft.com

SLIM-LINE CONNECTORS

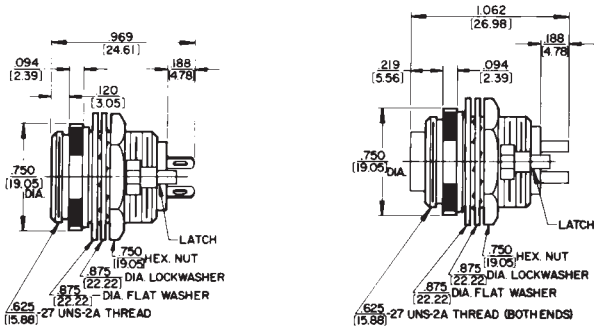
SL18 RECEPTACLES

Front of Panel Mount



SL183FS (typical)

$\frac{.696}{(17.7)}$ PANEL HOLE



Cable Clamp SL04

