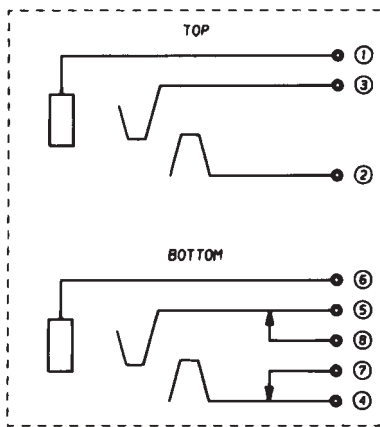
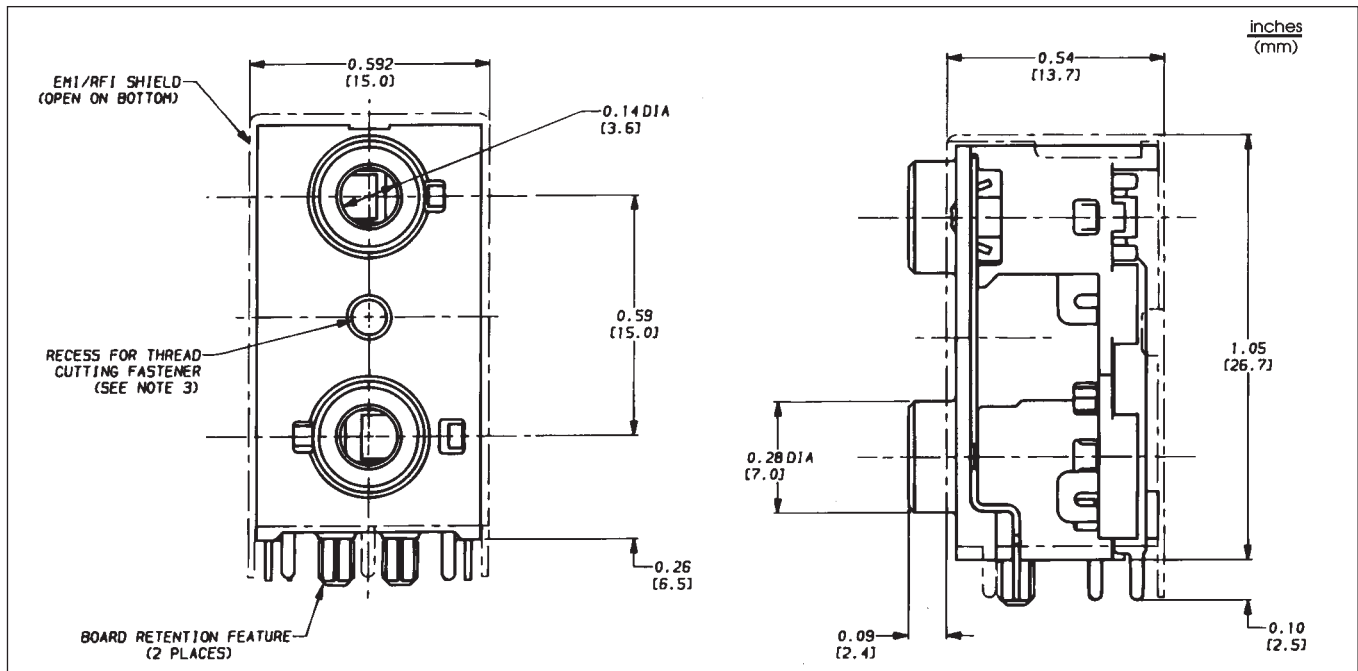
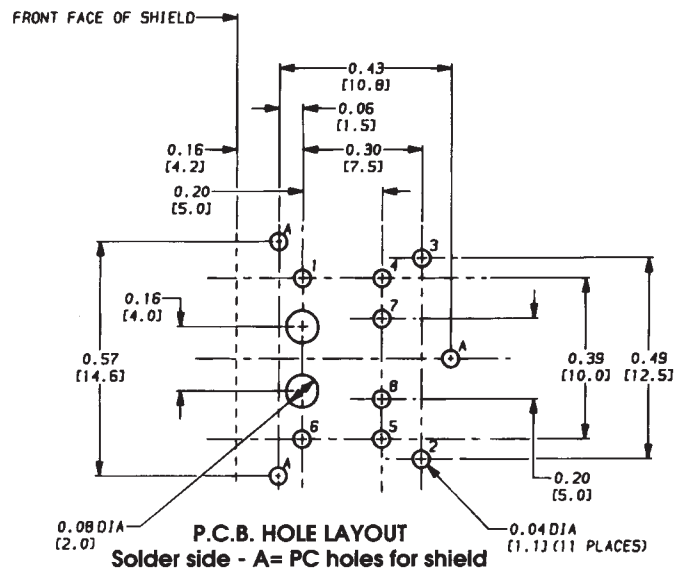


## 3.5 mm DUAL STEREO JACK



**SCHEMATIC**



**P.C.B. HOLE LAYOUT**  
Solder side - A= PC holes for shield

**NOTES:** □

1. Shield isolated from terminals 1 and 6. □
2. Width of all terminals = 0.032" (0.814mm). □
3. Use Camcar Textron S25 T8 TORX pan head "Duro-PT" □ thread cutting fastener of appropriate length or equivalent.

DIMENSIONS ARE FOR REFERENCE ONLY Inch  
(mm)

**NOTE:** Contact your Switchcraft Representative for price and delivery.