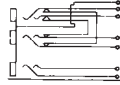
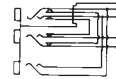


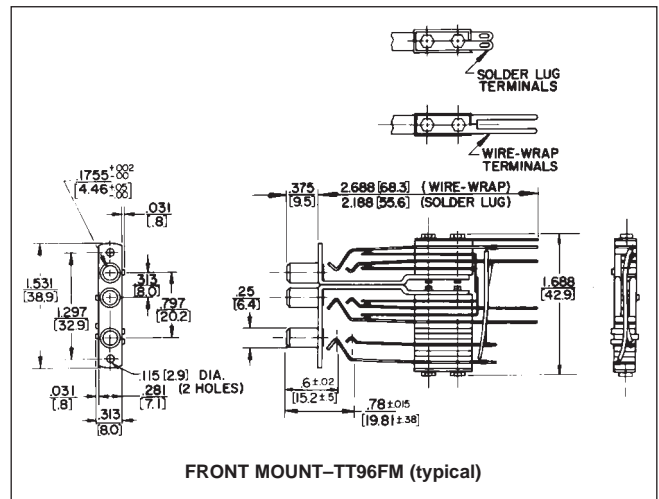
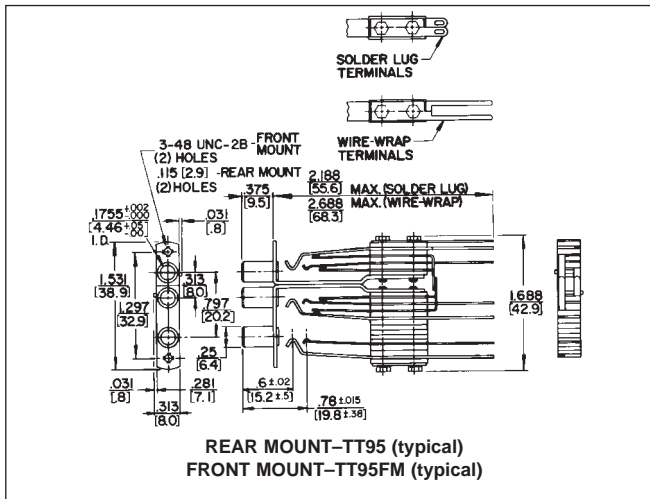
## TT-JAX® (.173") TELEPHONE TRIPLE JACKS BANTAM TYPE®



TT95 SCHEMATIC



TT96 SCHEMATIC



DIMENSIONS ARE FOR REFERENCE ONLY  $\frac{\text{Inch}}{\text{(mm)}}$

NOTE: Contact your Switchcraft Representative for price and delivery.