



## Power Mini-Mizer<sup>®</sup> Cable Assembly - IP68 Rated, 30 Amps

2 thru 4 position "D" Size

Conxall<sup>®</sup> is pleased to announce the latest in the Sensor-Link line of products. Rugged construction makes this cable assembly perfect for harsh environments. With an IP68 rating, even outdoor equipment can be fully protected when using this cable assembly. Great for high power applications as this cable assembly can operate up to 30 amps @ 600V.

### Features & Benefits:

- Up to 30 amps @ 600V continuous with 10 AWG contacts and wire•
- IP68 rating when mated•
- Panel mounts are epoxy sealed as a standard•
- Durable shell materials in standard nylon, aluminum or stainless steel•
- Quick installation•
- Gold plated contacts are standard for high reliability•

For more information, visit: [www.conxall.com](http://www.conxall.com)

## Power Mini-Mizer® Cable Assembly

### Product Specifications:

**Electrical Ratings:** Up to 30A / 600V AC/DC

**Environmental:** NEMA 6P, IP68, RoHS

**Temperature Rating:** -4° F to 212°F  
(-20°C to 100°C)

**Certifications:** UL Recognized, File #E150822

**Contacts:** Copper Alloy, Gold Plated

**Conductor Sizes:** 2, 3 & 4 qty., #10, #12 or #14

**Inserts:** Thermoplastic elastomer (TPE) with optional PVC or PUR

**Overmold:** Thermoplastic elastomer (TPE) with optional PVC or PUR

**Coupling Nuts & Panel Shell Material:**

Thermoplastic elastomer (TPE) with optional aluminum or stainless steel

**Cable/ Wire:**

-Cable: 2, 3 & 4 contacts, #10, #12, or #14AWG

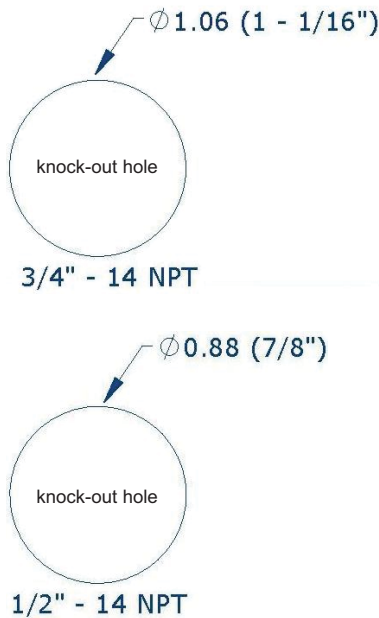
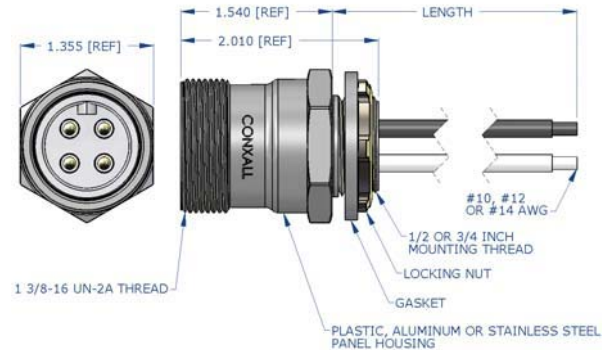
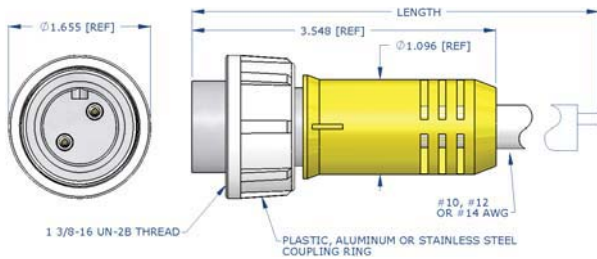
-Black or Yellow oil resistant thermoplastic elastomer jacket with optional PVC or PUR

-Fine stranded copper conductors

-600V, SEOW, 105 °C (221°F)

	2P			3P			4P		
<b>MALE FACE VIEW</b>									
<b>COLOR CODE</b>	1- black 2- white			1- black 2- white 3- green-gnd			1- black 2- green-gnd 3- red 4- white		
<b>VOLTAGE</b>	600V AC/DC			600V AC/DC			600V AC/DC		
<b>CONDUCTOR</b>	#14	#12	#10	#14	#12	#10	#14	#12	#10
<b>CURRENT</b>	18A	25A	30A	18A	25A	30A	15A	20A	24A

	2P			3P			4P		
<b>FEMALE FACE VIEW</b>									
<b>COLOR CODE</b>	1- black 2- white			1- black 2- white 3- green-gnd			1- black 2- green-gnd 3- red 4- white		
<b>VOLTAGE</b>	600V AC/DC			600V AC/DC			600V AC/DC		
<b>CONDUCTOR</b>	#14	#12	#10	#14	#12	#10	#14	#12	#10
<b>CURRENT</b>	18A	25A	30A	18A	25A	30A	15A	20A	24A



### Part Number Chart:

P	17	XSXP	XX	U	X	P2	-	36
Prefix "P" Indicates Power Connector	ASSEMBLY TYPE 17 - Panel Mount 16 - Female or Male Straight	NUMBER & GENDER OF CONTACTS Pin or Socket First set is End "A" & Straight Second set is End "B"	COUPLING RING / PANEL SHELL MATERIAL "Blank" - Nylon "SS" - Stainless Steel "AH" - Aluminum, Light Black Hard Coat	INSERT & OVERMOLD MATERIAL "Blank" - Santoprene Rubber "U" - Polyurethane "P" - PVC	HOOK UP WIRE INSULATION OR CABLE JACKET MATERIAL & CONDUCTOR SIZE "T" - TPE Rubber "1" - 10 AWG "U" - Polyurethane "2" - 12 AWG "P" - PVC "4" - 14 AWG	PANEL MOUNT REAR THREADS "Blank" - 3/4 inch External thread "A" - 1/2 inch External thread	CABLE/HOOKUP WIRE LENGTH - Inches	