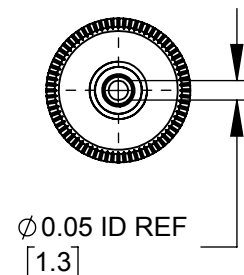
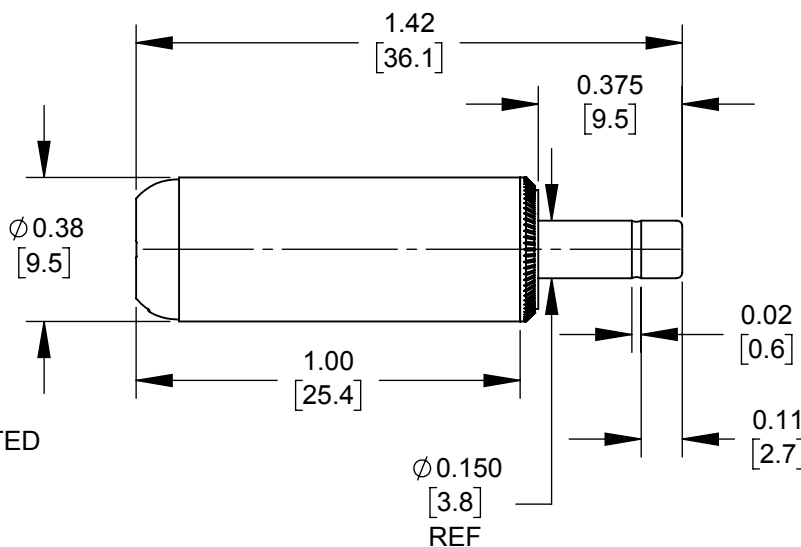
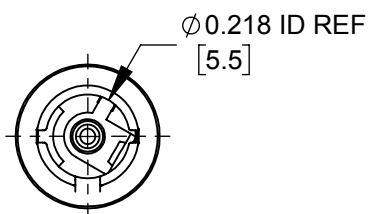


PART NUMBER	HANDLE COLOR
860Z	BLACK
865Z	RED



NOTES:

- MATERIALS:
 CONDUCTORS - COPPER ALLOY, NICKEL PLATED
 TERMINALS - COPPER ALLOY, TIN PLATED
 INSULATORS & HANDLE - THERMOPLASTIC
- THIS PRODUCT IS RoHS COMPLIANT.

CUSTOMER DRAWING

					THIS DRAWING DESCRIBES A DESIGN CONSIDERED PROPRIETARY IN NATURE, DEVELOPED AND MANUFACTURED BY SWITCHCRAFT INC. AND IS RELEASED ON A CONFIDENTIAL BASIS FOR IDENTIFICATION PURPOSES ONLY.				
UNLESS OTHERWISE SPECIFIED 1. ALL DIMENSIONS IN INCHES [mm] - TWO PLACE DECIMALS ±0.02 [0.5] - THREE PLACE DECIMALS ±0.005 [0.13]					SIZE	WIDTH	MULT	LBS/M	TEMPER
					FINISH		MATERIAL		
					SPEC No.		SPEC No.		
DO NOT SCALE DRAWING					FIRST USED ON		SCALE 2:1		
					DATE DRAWN	BY	CHKD	APVD	
					11/05/19	AM	*	*	
0A	FIRST DRAWN	11/05/19	AM	*					
REV	ECO NUMBER	DATE	BY	APVD					
REVISIONS					NAME Ø0.050 [1.3]mm X 0.374 LONG IMPROVED POWER PLUG, RoHS				
					PART No. 860Z-865Z				REV 0A

