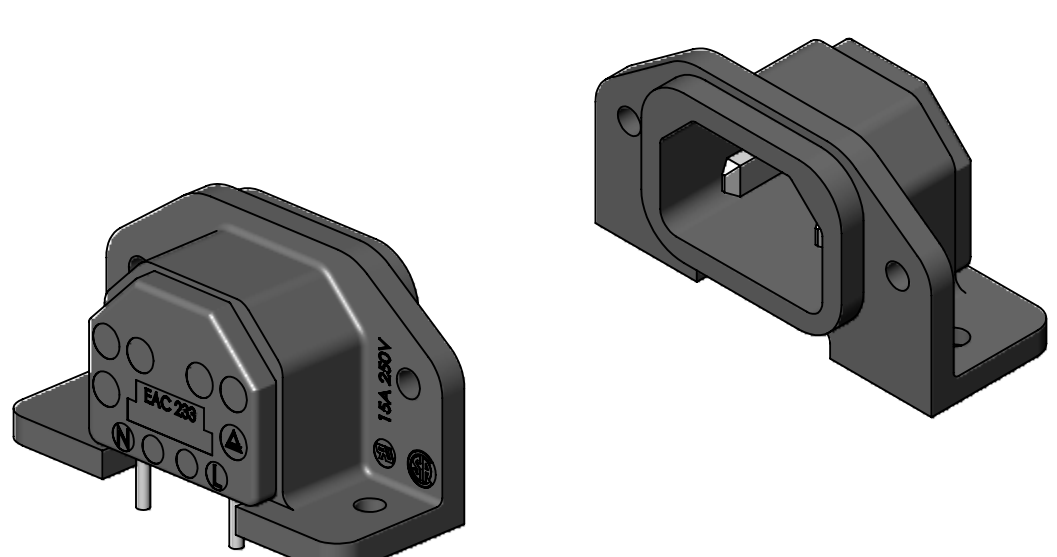


SECTION A-A

- NOTES:**
1. MEETS IEC 60320 SPECIFICATION.
 2. AGENCY APPROVAL & RATING:
UL & CSA: 15A, 250V AC.
 3. MATERIALS:
HOUSING AND COVER, BLACK THERMOPLASTIC.
TERMINALS, TIN PLATED COPPER ALLOY.
 4. THIS PRODUCT IS RoHS COMPLIANT.



CUSTOMER DRAWING

UNLESS OTHERWISE SPECIFIED					THIS DRAWING DESCRIBES A DESIGN CONSIDERED PROPRIETARY IN NATURE, DEVELOPED AND MANUFACTURED BY SWITCHCRAFT INC. AND IS RELEASED ON A CONFIDENTIAL BASIS FOR IDENTIFICATION PURPOSES ONLY.				
1. ALL DIMENSIONS IN INCHES					SIZE	WIDTH	MULT	LBS/M	TEMPER
- TWO PLACE DECIMALS ±0.02					FINISH				MATERIAL
- THREE PLACE DECIMALS ±0.005					SPEC No.				SPEC No.
					FIRST USED ON				SCALE
					DATE DRAWN				3:1
					BY	CHKD	TG	APVD	
					12/21/88	RLD	01/03/89	RV	
					NAME				PART No.
					MALE AC RECEPTACLE				EAC233
					RIGHT ANGLE PC MOUNT, RoHS				REV
									L
REVISIONS					DO NOT SCALE DRAWING				
REV	ECO NUMBER	DATE	BY	APVD	SolidWorks CAD File				
L	28175	6/4/19	TJK	TJK					
K	26887	11/29/11	BL	TJK					
J	24129	03/27/02	BL	TJK					



SHEET 1 OF 1

EAC233

REV L