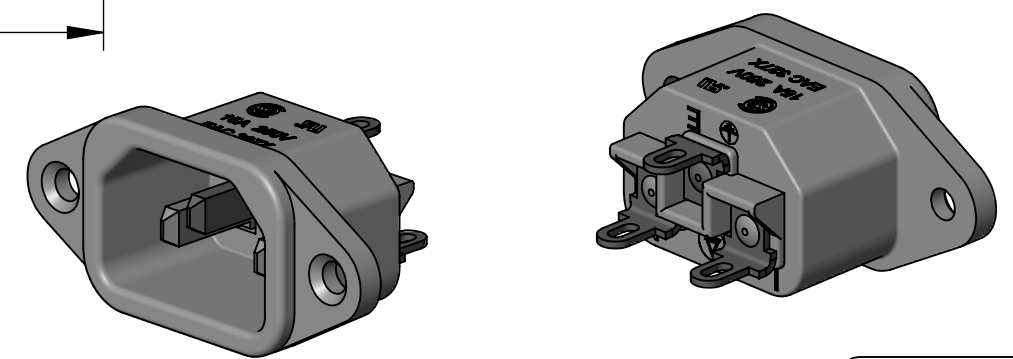


- NOTES:
- 1. AGENCY IDENTIFICATION & RATING:  
UL & CSA: 15A 250V
  - 2. MEETS IEC 60320 SPECIFICATION
  - 3. MATERIALS:  
HOUSING: BLACK POLYESTER  
TERMINALS: TIN PLATED COPPER ALLOY  
CONTACT PINS: TIN PLATED COPPER ALLOY
  - 4. THIS PRODUCT IS RoHS COMPLIANT.



**CUSTOMER DRAWING**

REV	ECO NUMBER	DATE	BY	APVD
B	28175	6/4/19	TJK	TJK
A	26895	12/16/11	BL	TJK

REVISIONS

UNLESS OTHERWISE SPECIFIED

1. ALL DIMENSIONS IN INCHES

- TWO PLACE DECIMALS ±0.02

- THREE PLACE DECIMALS ±0.005

**DO NOT SCALE DRAWING**

THIS DRAWING DESCRIBES A DESIGN CONSIDERED PROPRIETARY IN NATURE, DEVELOPED AND MANUFACTURED BY SWITCHCRAFT INC. AND IS RELEASED ON A CONFIDENTIAL BASIS FOR IDENTIFICATION PURPOSES ONLY.									
SIZE	WIDTH	MULT	LBS/M	TEMPER					
FINISH					MATERIAL				
SPEC No.					SPEC No.				
FIRST USED ON				SCALE 2:1					
DATE DRAWN	BY	CHKD	APVD	Switchcraft®					
11/17/11	BL	BL	TJK	SHEET 1 OF 1					
NAME MALE AC RECEPTACLE SOLDER TERMINALS, RoHS				PART No. EAC327X		REV B			