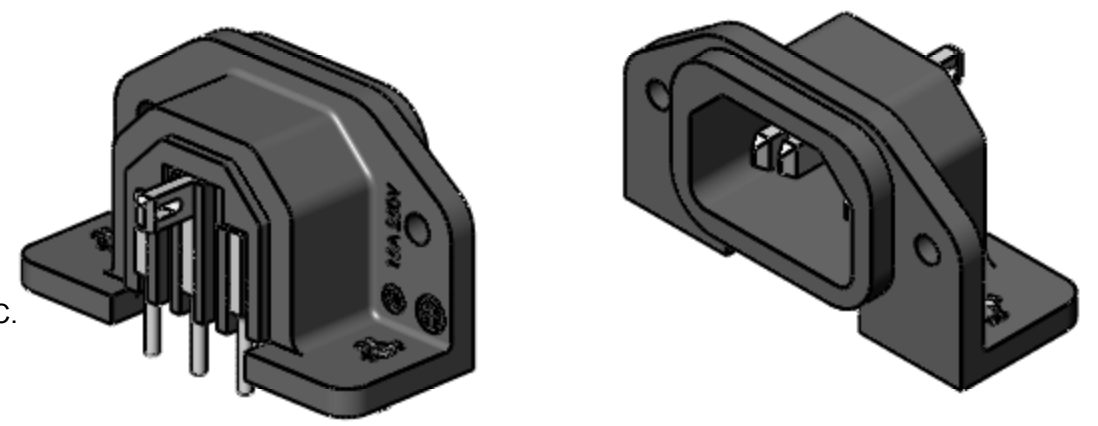


- NOTES:**
1. MEETS IEC 60320 SPECIFICATION.
 2. AGENCY APPROVAL & RATING:
VDE: 10A, 250V AC.
UL & CSA: 15A, 250V AC.
 3. MATERIALS:
HOUSING AND COVER, BLACK THERMOPLASTIC.
TERMINALS, TIN PLATED COPPER ALLOY.
 4. THIS PRODUCT IS RoHS COMPLIANT.



CUSTOMER DRAWING

UNLESS OTHERWISE SPECIFIED				THIS DRAWING DESCRIBES A DESIGN CONSIDERED PROPRIETARY IN NATURE, DEVELOPED AND MANUFACTURED BY SWITCHCRAFT INC. AND IS RELEASED ON A CONFIDENTIAL BASIS FOR IDENTIFICATION PURPOSES ONLY.				
1. ALL DIMENSIONS IN INCHES				SIZE	WIDTH	MULT	LBS/M	TEMPER
- TWO PLACE DECIMALS ±0.02				FINISH		MATERIAL		
- THREE PLACE DECIMALS ±0.005				SPEC No.		SPEC No.		
E 26887 11/29/11 BL TJK				FIRST USED ON		SCALE		
D 24129 03/27/02 BL TJK				DATE DRAWN		3:1		
REV ECO NUMBER DATE BY APVD				08/26/92	LR	09/09/92	09/09/92	
REVISIONS				NAME		PART No.		
DO NOT SCALE DRAWING				MALE AC RECEPTACLE		EAC333S		
SolidWorks CAD File				RIGHT ANGLE PC MOUNT, RoHS		REV E		



SHEET 1 OF 1