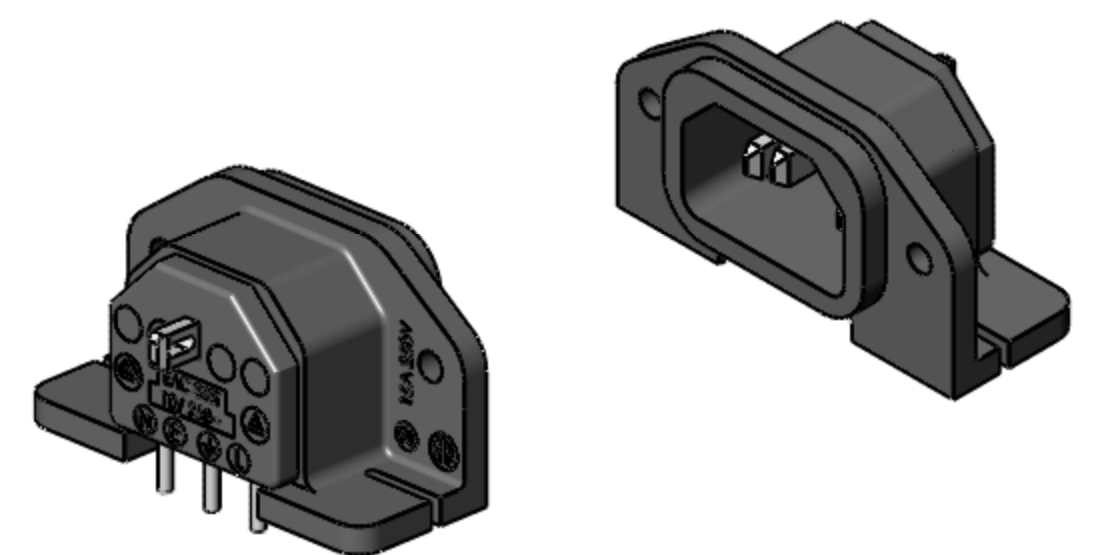


- NOTES:
1. MEETS IEC 60320 SPECIFICATION.
 2. AGENCY APPROVAL & RATING:
VDE: 10A, 250V AC.
UL & CSA: 15A, 250V AC.
 3. MATERIALS:
HOUSING AND COVER, BLACK THERMOPLASTIC.
TERMINALS, TIN PLATED COPPER ALLOY.
 4. THIS PRODUCT IS RoHS COMPLIANT.



CUSTOMER DRAWING

UNLESS OTHERWISE SPECIFIED					THIS DRAWING DESCRIBES A DESIGN CONSIDERED PROPRIETARY IN NATURE, DEVELOPED AND MANUFACTURED BY SWITCHCRAFT INC. AND IS RELEASED ON A CONFIDENTIAL BASIS FOR IDENTIFICATION PURPOSES ONLY.				
1. ALL DIMENSIONS IN INCHES					SIZE	WIDTH	MULT	LBS/M	TEMPER
- TWO PLACE DECIMALS ±0.02					FINISH				MATERIAL
- THREE PLACE DECIMALS ±0.005					SPEC No.				SPEC No.
					FIRST USED ON				SCALE
					DATE DRAWN				3:1
					BY	CHKD	APVD	Switchcraft®	
					LRD	TG	RV	SHEET 1 OF 1	
					01/03/89				01/12/89
					NAME MALE AC RECEPTACLE				PART No.
					RIGHT ANGLE PC MOUNT, RoHS				EAC333T
					REV				J
REVISIONS					DO NOT SCALE DRAWING				
SolidWorks CAD File									