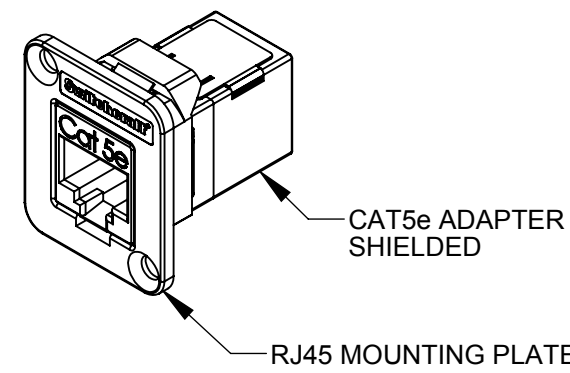
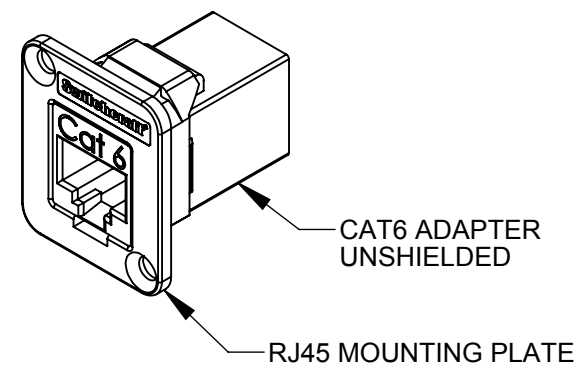


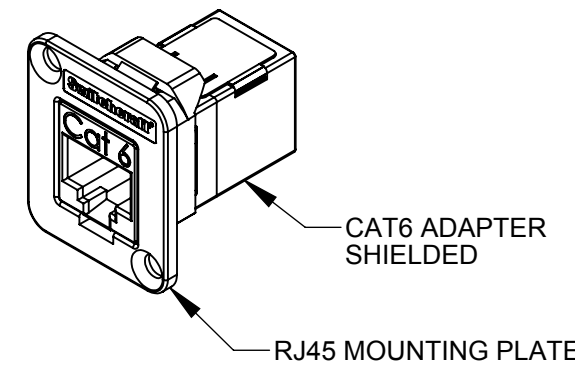
EHRJ45P5E
UNSHIELDED



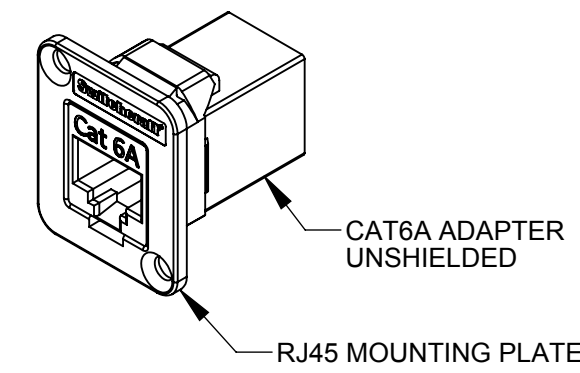
EHRJ45P5ES
SHIELDED



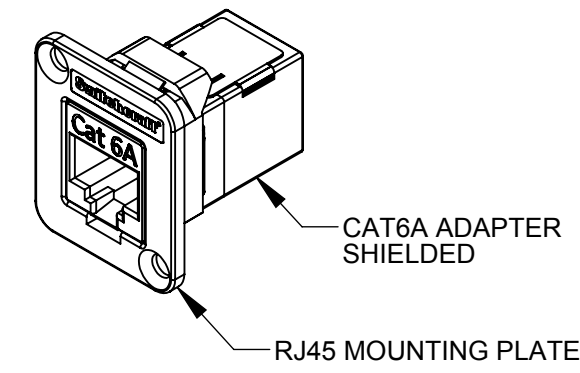
EHRJ45P6
UNSHIELDED



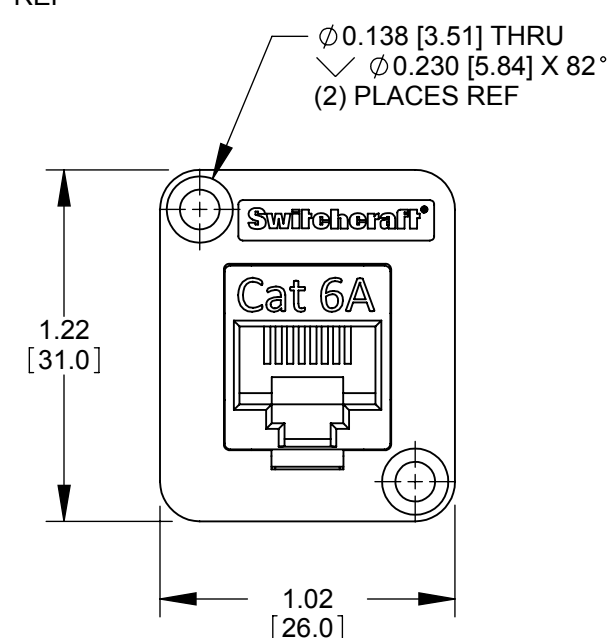
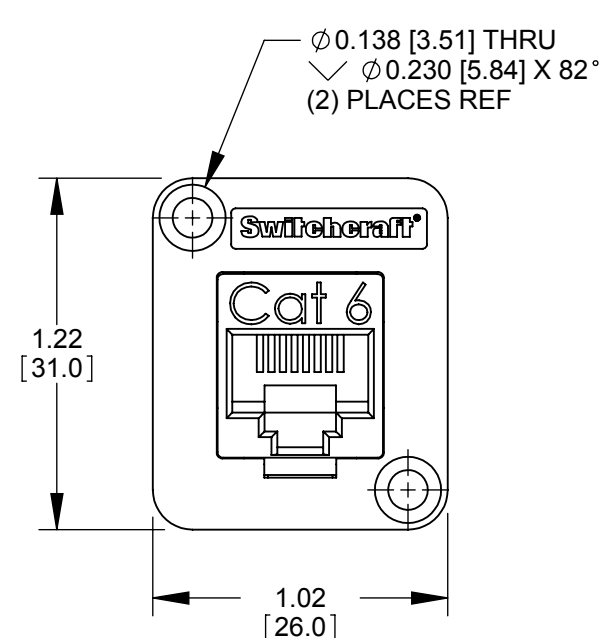
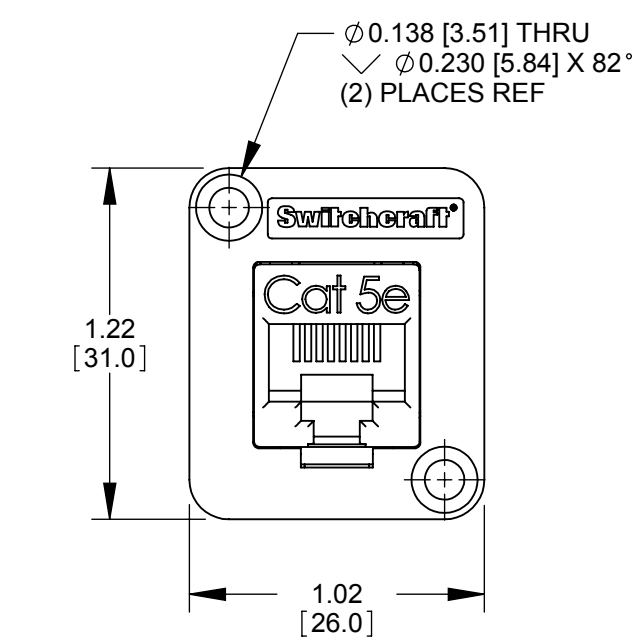
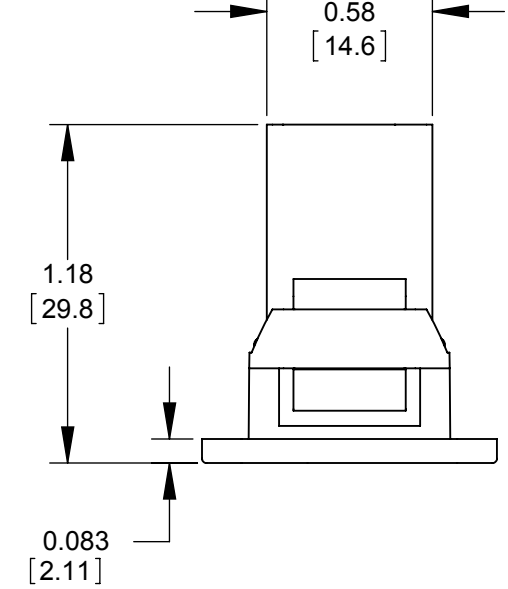
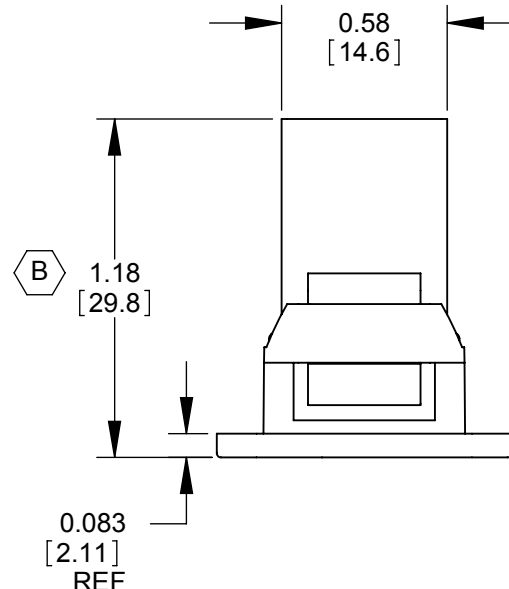
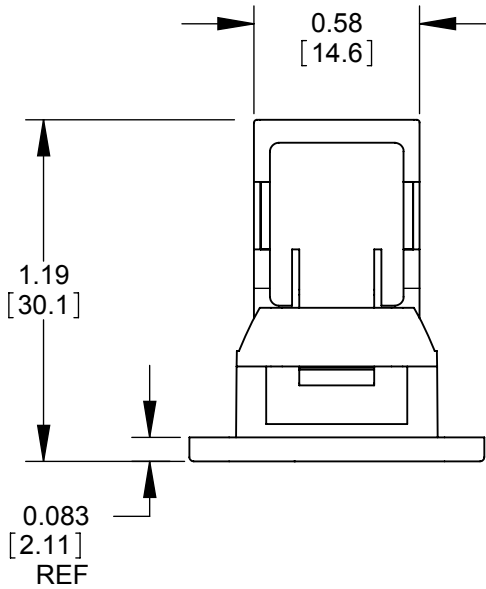
EHRJ45P6S
SHIELDED



EHRJ45P6A
UNSHIELDED



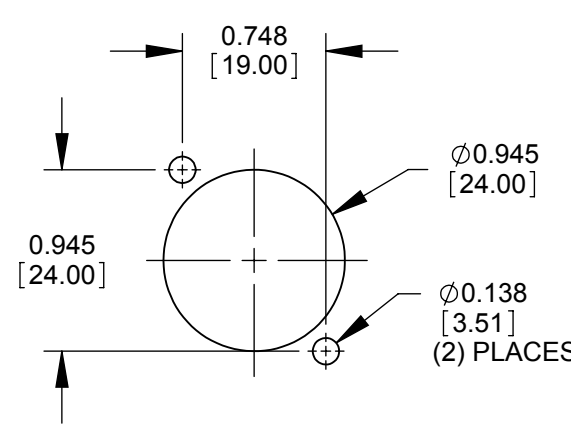
EHRJ45P6AS
SHIELDED



EHRJ45P5E - UNSHIELDED
EHRJ45P5ES - SHIELDED (SHOWN)

EHRJ45P6 - UNSHIELDED (SHOWN)
EHRJ45P6S - SHIELDED

EHRJ45P6A - UNSHIELDED (SHOWN)
EHRJ45P6AS - SHIELDED



**RECOMMENDED
PANEL CUT-OUT**

PART NUMBER	RJ45 ADAPTER
EHRJ45P5E	CAT5e UNSHIELDED
EHRJ45P5ES	CAT5e SHIELDED
EHRJ45P6	CAT6 UNSHIELDED
EHRJ45P6S	CAT6 SHIELDED
EHRJ45P6A	CAT6A UNSHIELDED
EHRJ45P6AS	CAT6A SHIELDED

- NOTES:
- ADAPTER MEETS:
CAT5e: TIA/EIA-568-B.2 STANDARD
CAT6: TIA/EIA-568-B.2-1 STANDARD
CAT6A: TIA/ANSI-568-C.2 STANDARD

- MATERIALS:
RJ45 MOUNTING PLATE - THERMOPLASTIC, BLACK
RJ45 HOUSING - THERMOPLASTIC, BLACK
RJ45 SHIELD - COPPER ALLOY, NICKEL PLATED

- FOR SCREWS TO BE SHIPPED WITH ASSEMBLY, ADD SUFFIX -PKG TO PART NUMBER.

- WHEN MOUNTING ASSEMBLY, USE A SCREW TORQUE OF 10 INCH-LBS MAXIMUM.

- THIS PRODUCT IS RoHS COMPLIANT.

CUSTOMER DRAWING

UNLESS OTHERWISE SPECIFIED				THIS DRAWING DESCRIBES A DESIGN CONSIDERED PROPRIETARY IN NATURE, DEVELOPED AND MANUFACTURED BY SWITCHCRAFT INC. AND IS RELEASED ON A CONFIDENTIAL BASIS FOR IDENTIFICATION PURPOSES ONLY.					
1. ALL DIMENSIONS IN INCHES [mm]		- TWO PLACE DECIMALS ±0.02 [0.5]		SIZE	WIDTH	MULT	LBS/M	TEMPER	
- THREE PLACE DECIMALS ±0.005 [0.13]		DO NOT SCALE DRAWING		FINISH SPEC No.		MATERIAL SPEC No.			
REV	ECO NUMBER	DATE	BY	APVD	FIRST USED ON		SCALE 1.5:1		
D	27721	6-21-16	TO	TJK	DATE DRAWN	BY	CHKD	APVD	
C	27585	10/08/15	PC	TJK	7/7/08	JGK	RS	TJK	
B	27247	1/24/14	JGK	TJK			7/28/09	10/24/09	
A	26387	5/15/09	RS	TJK	NAME			EH SERIES	
REVISIONS				RJ45 ADAPTER, RoHS				PART No. EHRJ45P SERIES	
				SolidWorks CAD File				SHEET 1 OF 1	
								REV D	

