

PRELIMINARY

NOTES:

1. SPECIFICATIONS:

ELECTRICAL:

- MEETS SMPTE 2082-1
- CHARACTERISTIC IMPEDANCE: 75 OHMS
- CONTACT RESISTANCE: LESS THAN 50 MILLIOHMS

INTERFACE:

- MATING PLUG: 0.175 OUTSIDE DIAMETER
- CENTER CONDUCTOR: ACCEPTS 0.029 PIN DIAMETER

MECHANICAL:

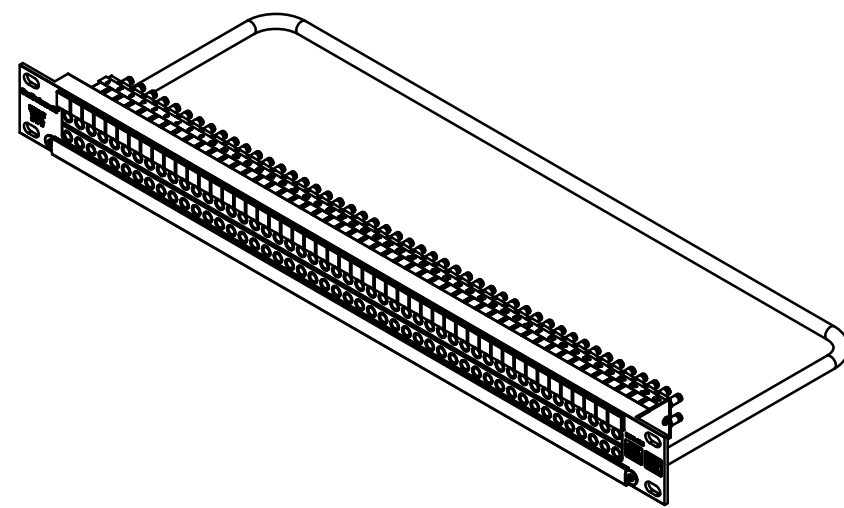
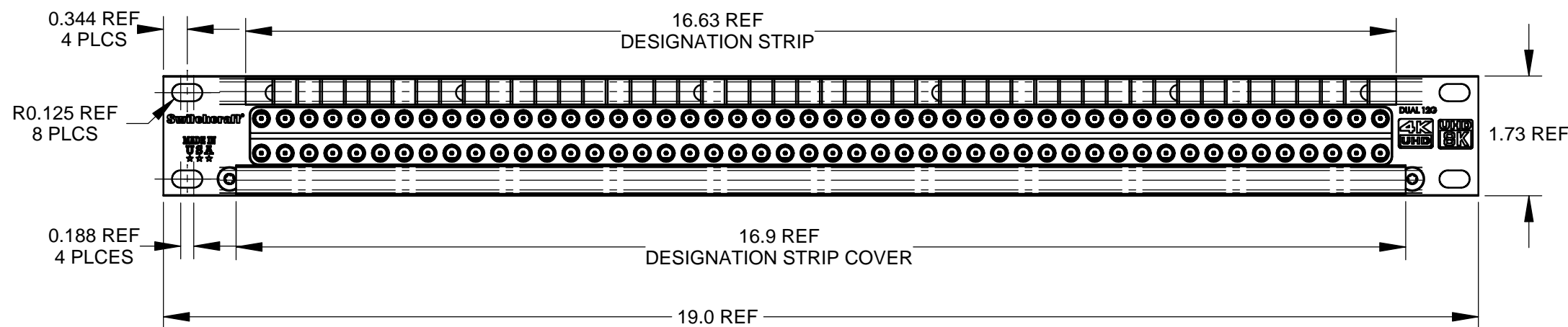
- VIBRATION: PER MIL - STD 202, METHOD 201
- INSERTION FORCE: 9 LBS MAX.
- WITHDRAWAL FORCE: 2 LBS MIN.
- LIFE CYCLE: 20,000 MIN.

ENVIRONMENTAL:

- TEMPERATURE**
 - OPERATING: -40 °C TO 65 °C
 - STORAGE: -40 °C TO 65 °C
- THERMAL SHOCK: PER MIL-STD- 202, METHOD 107
- MOISTURE AND HUMIDITY: PER MIL-STD- 202, METHOD 106
- SALT SPRAY: PER MIL-STD- 202, METHOD 101

2. USE UHDDIN94 (4594R CABLE) AND VMMPUHD PATCHCORDS OR VMMLPUHD LOOPING PLUGS TO MEET SMPTE 2082-1.

3. THIS PRODUCT IS RoHS COMPLIANT.



CUSTOMER DRAWING

PART NUMBER	DESCRIPTION	REVISION
MMVPD48K175T	NORMAL-TERMINATED	0C
MMVPD48K1NNT	NON-NORMAL-NON-TERMINATED	0C

REV	ECO NUMBER	DATE	BY	APVD
0C	ADDED REAR LABEL	1-23-19	SRC	SRC
0B	CORRECTED PART #S IN TABLE	1-14-19	SRC	SRC

★ STAR SYMBOL DENOTES CRITICAL DIMENSION

UNLESS OTHERWISE SPECIFIED

1. ALL DIMENSIONS IN INCHES
 - TWO PLACE DECIMALS ±0.01
 - THREE PLACE DECIMALS ±0.005
 - ANGLES ±1°
 - ALL DIA. CONCENTRIC WITHIN 0.005 T.I.R.

2. FEATURES ON THE SAME CENTERLINE MUST BE ALIGNED WITHIN ±0.002

3. REMOVE ALL BURRS

DO NOT SCALE DRAWING

THIS DRAWING DESCRIBES A DESIGN CONSIDERED PROPRIETARY IN NATURE, DEVELOPED AND MANUFACTURED BY SWITCHCRAFT INC. AND IS RELEASED ON A CONFIDENTIAL BASIS FOR IDENTIFICATION PURPOSES ONLY.									
SIZE	WIDTH	MULT	LBS/M	TEMPER					
FINISH					MATERIAL *				
SPEC No.					SPEC No. *				
FIRST USED ON				SCALE 1:2					
DATE DRAWN	BY	CHKD	APVD						
1-11-19	SRC	1-11-19	*						
			SRC						
NAME			MICRO-DIN-REAR PATCHBAYS				PART No.		
							MMVPD481K_SERIES		
							REV 0C		