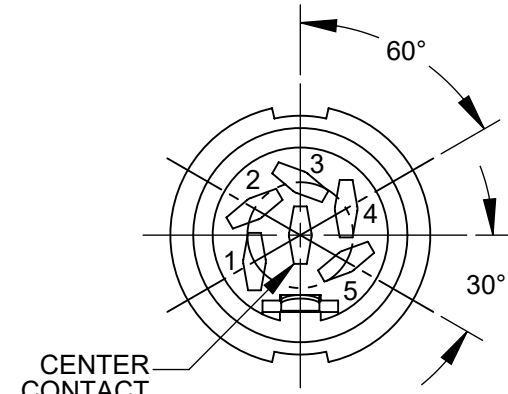
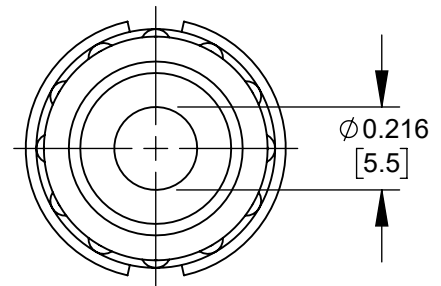
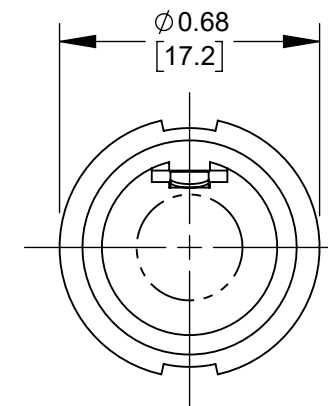
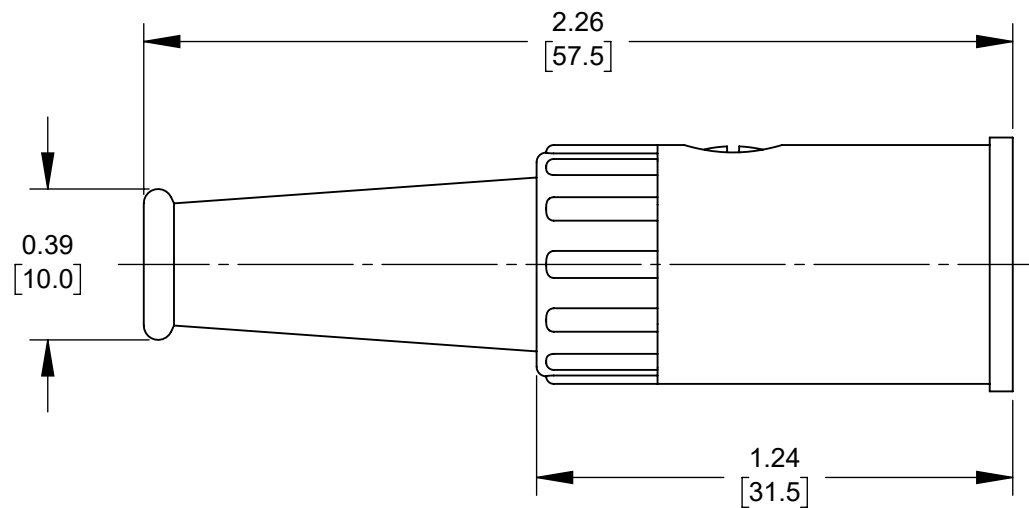
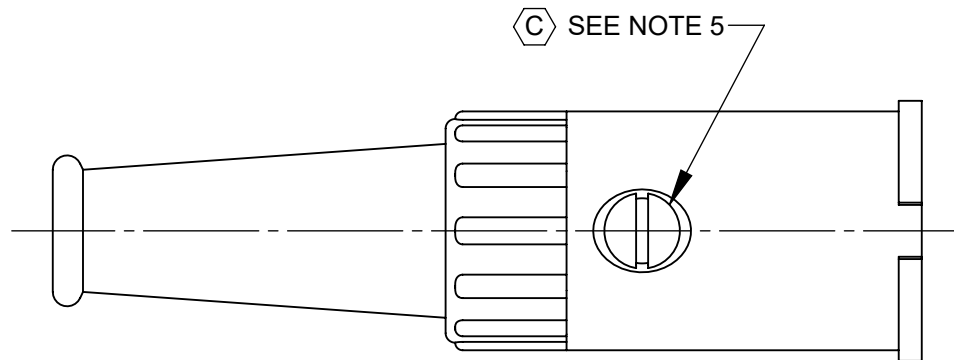
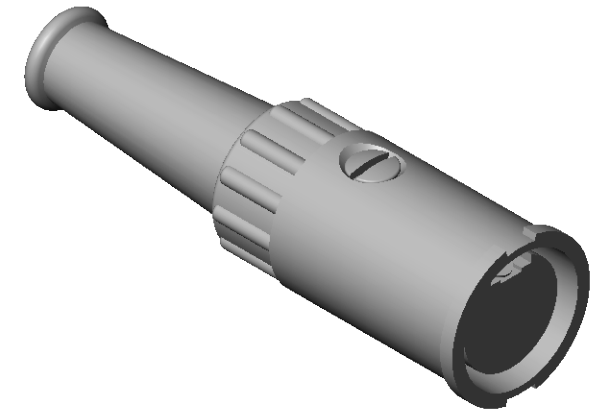


06EL5FX
5 CONTACTS AT 180°



CENTER CONTACT NOT USED
13EL5FX
5 CONTACTS AT 240°



NOTES:

- PARTS SHIPPED ASSEMBLED.
- 0.04 [1.0mm] X 0.07 [1.7mm] SLOT IN CONTACTS FOR SOLDERING.
- MATERIALS:**
HOUSING - ZINC ALLOY, NICKEL PLATED
FLEX RELIEF - THERMOPLASTIC, BLACK
INSERT - THERMOPLASTIC, BLACK
CONTACTS - COPPER ALLOY, TIN PLATED
CABLE CLAMP - STEEL, NICKEL PLATED
SCREW - STEEL, NICKEL PLATED
- THESE PRODUCTS ARE RoHS COMPLIANT.
- SCREW DRIVE MAY BE SLOTTED, CROSS RECESS, T8, COMBINATION SLOTTED/CROSS RECESS OR COMBINATION SLOTTED/T8.

CUSTOMER DRAWING

| REV | ECO NUMBER | DATE | BY | APVD |
|-----|------------|---------|-----|------|
| C | 28667 | 3/28/24 | PC | TJK |
| B | 28010 | 3/14/18 | TJK | TJK |
| A | 26000 | 3/3/06 | TJK | TJK |

UNLESS OTHERWISE SPECIFIED
1. ALL DIMENSIONS IN INCHES [mm]
- TWO PLACE DECIMALS ±0.02 [0.5]
- THREE PLACE DECIMALS ±0.005 [0.13]

DO NOT SCALE DRAWING

| | | | | | | | | | |
|--|-------|---------|----------|--------------------------|----------|--|-----|--|--|
| THIS DRAWING DESCRIBES A DESIGN CONSIDERED PROPRIETARY IN NATURE, DEVELOPED AND MANUFACTURED BY SWITCHCRAFT INC. AND IS RELEASED ON A CONFIDENTIAL BASIS FOR IDENTIFICATION PURPOSES ONLY. | | | | | | | | | |
| SIZE | WIDTH | MULT | LBS/M | TEMPER | | | | | |
| FINISH | | | | | MATERIAL | | | | |
| SPEC No. | | | | | SPEC No. | | | | |
| FIRST USED ON | | | | SCALE 2:1 | | | | | |
| DATE DRAWN | BY | CHKD TO | APVD TJK | Switchcraft® | | | | | |
| 3-July-13 | TO | 7-3-13 | 7-5-13 | SHEET 1 OF 1 | | | | | |
| NAME | | | | PART No. | | | REV | | |
| FEMALE DIN, 5 PIN CORD PLUG CONNECTOR, RoHS | | | | 06EL5FX & 13EL5FX SERIES | | | C | | |