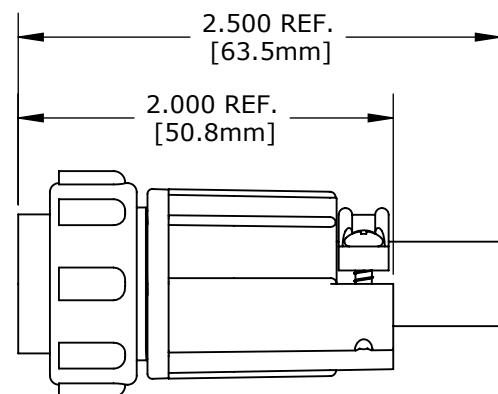
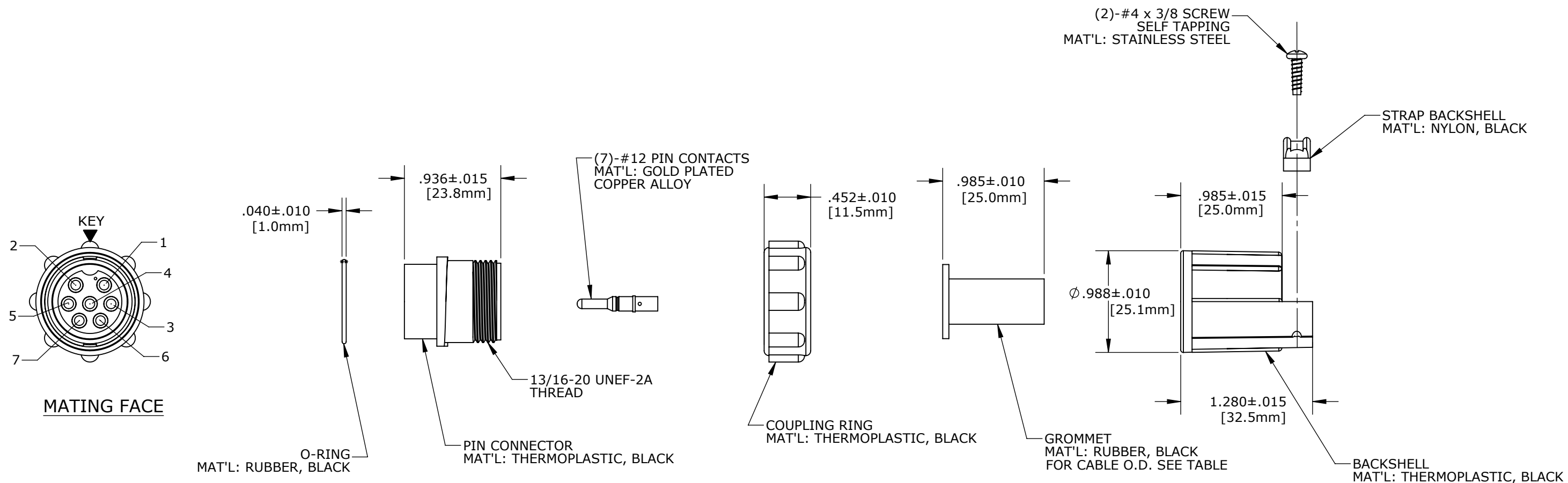


ASS'Y P/N	GROMMET FOR CABLE O.D.
13180-7PG-321	0.21-0.25 [5.3-6.3mm]
13180-7PG-326	0.26-0.30 [6.6-7.6mm]
13180-7PG-331	0.31-0.38 [7.8-9.6mm]

NOTES:  
1. PARTS TO BE BULK PACKED.

CUSTOMER PRINT

PART NUMBER: 13180-7PG-3XX



ASSEMBLED VIEW FOR CUSTOMER REF.

DIMENSIONS IN BRACKET [ ] ARE METRIC.

**CUSTOMER APPROVAL**

THIS DOCUMENT CONTAINS CONFIDENTIAL INFORMATION PROPRIETARY TO CONXALL CORPORATION. ANY REPRODUCTION, DISCLOSURE, OR USE OF THIS DOCUMENT / INFORMATION IS EXPRESSLY PROHIBITED UNLESS AUTHORIZED IN WRITING BY CONXALL CORPORATION.

CHECKED BY: \_\_\_\_\_  
 APPROVED BY: \_\_\_\_\_  
 DATE: \_\_\_\_\_

**RoHS COMPLIANT**

REV.	INIT.	DATE	DESCRIPTION
B	AN	10-08-12	UPDATED MATERIAL DESCRIPTION PER DOR 12-E149SL #35
A	AN	12-29-10	DRAWING CREATED PER DOR 10-E149SL

ALL INFORMATION ILLUSTRATED IS THE PROPERTY OF "CONXALL CORPORATION." UNAUTHORIZED DUPLICATION OR DISTRIBUTION OF THIS DOCUMENT IS PROHIBITED.		ORIG. DRAWN BY: AN	DATE: 12-17-10	
ALL UNITS ARE IN FEET, INCHES, FRACTION OF INCHES AND DECIMALS.		CHECKED BY:	APPROVED BY:	
SCALE: NTS	SIZE: B	SHEET: 1 OF 1	TITLE: CONNECTOR KIT 7-#12 PIN CONTACTS (CRIMP) MAXI-CON-X	CUSTOMER: STANDARD PRODUCT
FILE: 13180-7PG-3XX	DIRECTORY: SLW	PART NUMBER: 13180-7PG-3XX	REV: B	