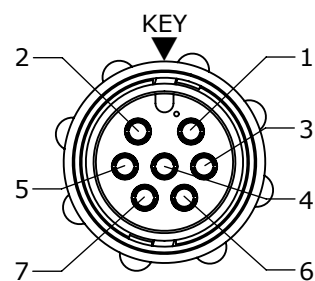
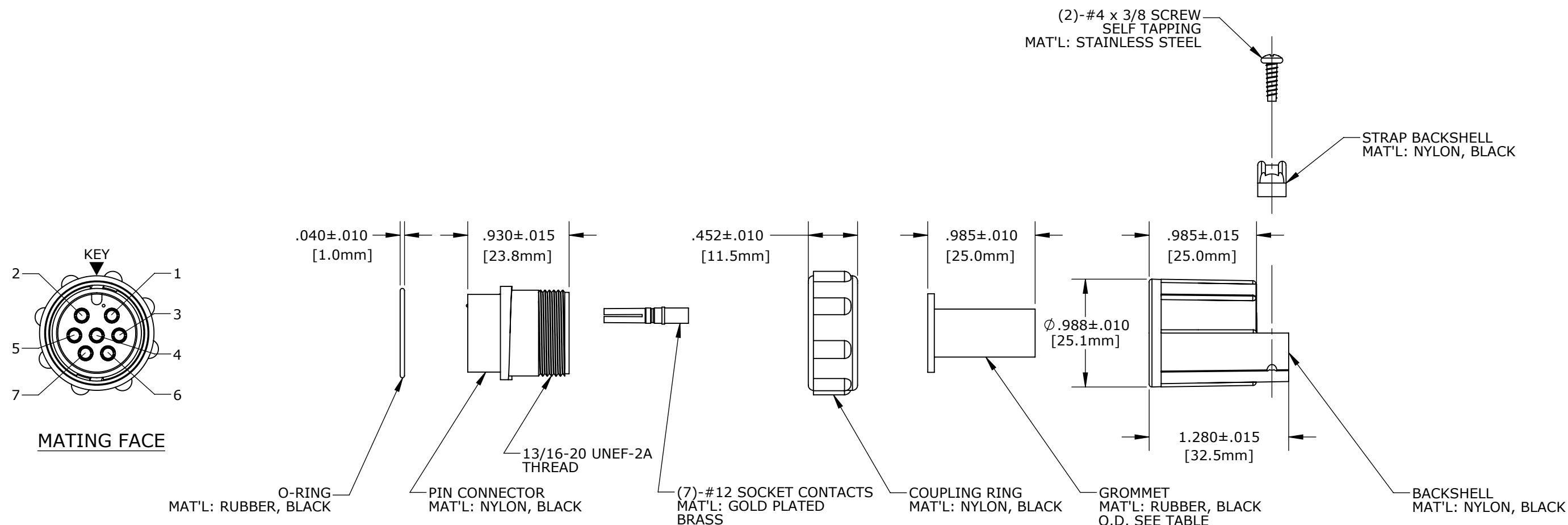


ASS'Y P/N	GROMMET FOR CABLE O.D.
13180-7PG-321	0.21-0.25 [5.3-6.3mm]
13180-7PG-326	0.26-0.30 [6.6-7.6mm]
13180-7PG-331	0.31-0.38 [7.8-9.6mm]

NOTES:
1. PARTS TO BE BULK PACKED.

CUSTOMER PRINT



O-RING
MAT'L: RUBBER, BLACK

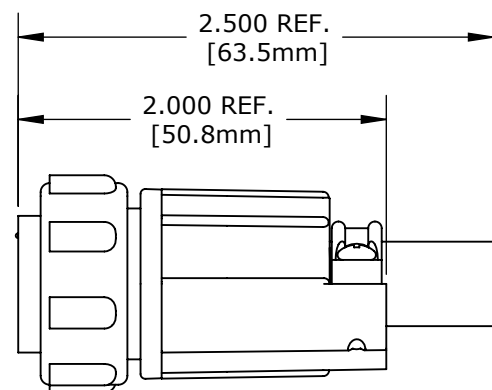
PIN CONNECTOR
MAT'L: NYLON, BLACK

(7)-#12 SOCKET CONTACTS
MAT'L: GOLD PLATED
BRASS

COUPLING RING
MAT'L: NYLON, BLACK

GROMMET
MAT'L: RUBBER, BLACK
O.D. SEE TABLE

BACKSHELL
MAT'L: NYLON, BLACK



CUSTOMER APPROVAL

THIS DOCUMENT CONTAINS CONFIDENTIAL INFORMATION PROPRIETARY TO CONXALL CORPORATION. ANY REPRODUCTION, DISCLOSURE, OR USE OF THIS DOCUMENT / INFORMATION IS EXPRESSLY PROHIBITED UNLESS AUTHORIZED IN WRITING BY CONXALL CORPORATION.

CHECKED BY: _____
APPROVED BY: _____
DATE: _____

DIMENSIONS IN BRACKET [] ARE METRIC.

A	PD	05-17-12	DRAWING CREATED PER DOR 12-E149SL #15	
REV.	INIT.	DATE	DESCRIPTION	
	PD	05-17-12	ORIG. DRAWN BY: _____ DATE: 05-17-12 CHECKED BY: _____ APPROVED BY: _____	
<small>ALL INFORMATION ILLUSTRATED IS THE PROPERTY OF CONXALL CORPORATION. UNAUTHORIZED DUPLICATION OR DISTRIBUTION OF THIS DOCUMENT IS PROHIBITED.</small>			 601 E. WILDWOOD VILLA PARK, IL 60181	
<small>ALL UNITS ARE IN FEET, INCHES, FRACTION OF INCHES AND DECIMALS.</small>				
SCALE: NTS		SIZE: B	SHEET: 1 OF 1	TITLE: CONNECTOR KIT 7-#12 SOCKET CONTACTS (CRIMP) MAXI-CON-X
FILE: 13180-7SG-3XX		DIRECTORY: SLW	PART NUMBER: 13180-7SG-3XX	CUSTOMER: STANDARD PRODUCT
				REV: A

PART NUMBER: 13180-7SG-3XX