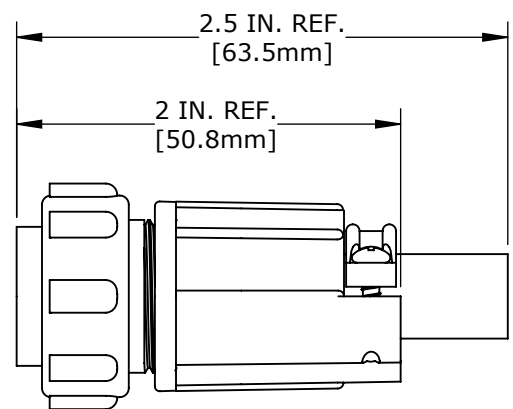
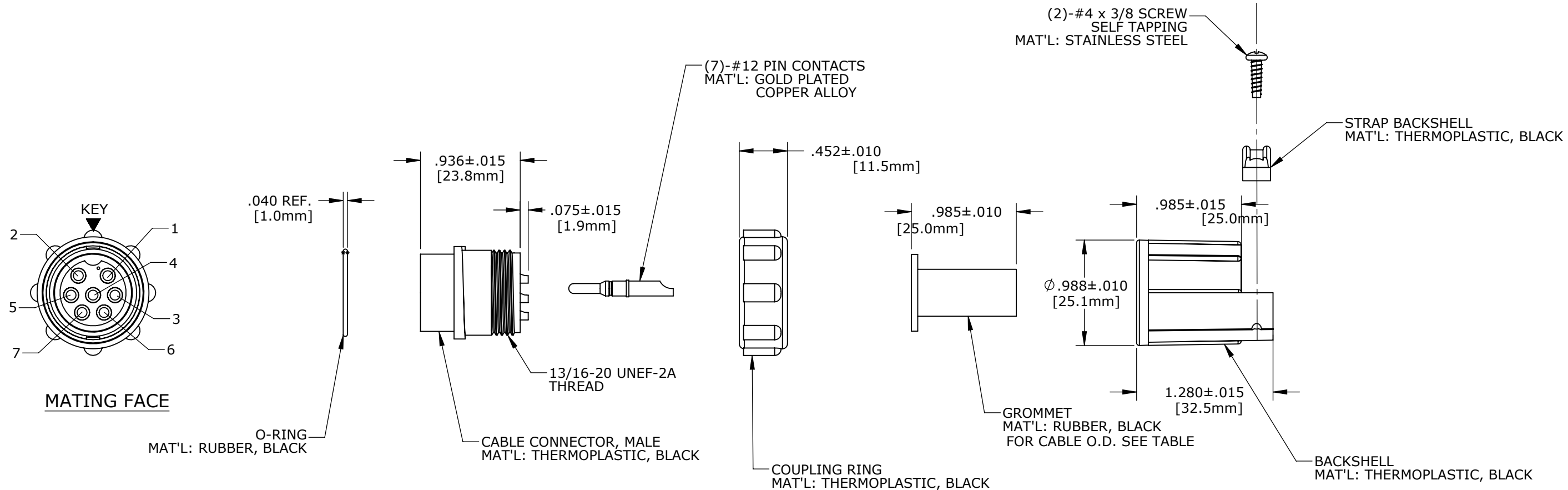


ASS'Y P/N	GROMMET FOR CABLE O.D.
13182-7PG-321	0.21-0.25 [5.3-6.3mm]
13182-7PG-326	0.26-0.30 [6.6-7.6mm]
13182-7PG-331	0.31-0.38 [7.8-9.6mm]

- NOTES:
 1. PARTS TO BE BULK PACKED.
 2. CONTACTS TO BE INSTALLED INTO CONNECTOR



CUSTOMER APPROVAL

THIS DOCUMENT CONTAINS CONFIDENTIAL INFORMATION PROPRIETARY TO CONXALL CORPORATION. ANY REPRODUCTION, DISCLOSURE, OR USE OF THIS DOCUMENT /INFORMATION IS EXPRESSLY PROHIBITED UNLESS AUTHORIZED IN WRITING BY CONXALL CORPORATION.

CHECKED BY: _____
 APPROVED BY: _____
 DATE: _____

RoHS COMPLIANT

DIMENSIONS IN BRACKET [] ARE METRIC.

A	AN	05-24-13	DRAWING CREATED PER DOR 13-E149SL #21	
REV.	INIT.	DATE	DESCRIPTION	
	AN	05-24-13	ALL INFORMATION ILLUSTRATED IS THE PROPERTY OF CONXALL CORPORATION. UNAUTHORIZED DUPLICATION OR DISTRIBUTION OF THIS DOCUMENT IS PROHIBITED. ALL UNITS ARE IN FEET, INCHES, FRACTION OF INCHES AND DECIMALS. - CRITICAL CHARACTERISTIC FLAG PER SPEC. XXXX	
APPROVED BY:			 601 E. WILDWOOD VILLA PARK, IL 60181	
TITLE:			CONNECTOR KIT	
SCALE:			7-#12 PIN CONTACTS (SOLDER TAIL)	
SIZE:			MAXI-CON-X	
SHEET:			STANDARD PRODUCT	
FILE:			CUSTOMER:	
13182-7PG-3XX			13182-7PG-3XX	
DIRECTORY:			PART NUMBER:	
SLW			13182-7PG-3XX	
			REV	
			A	

CUSTOMER PRINT

PART NUMBER: 13182-7PG-3XX