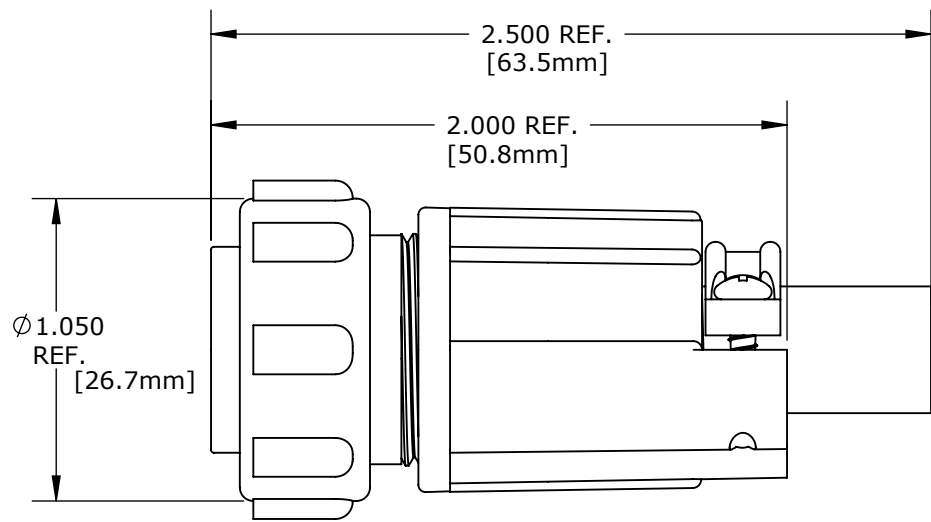
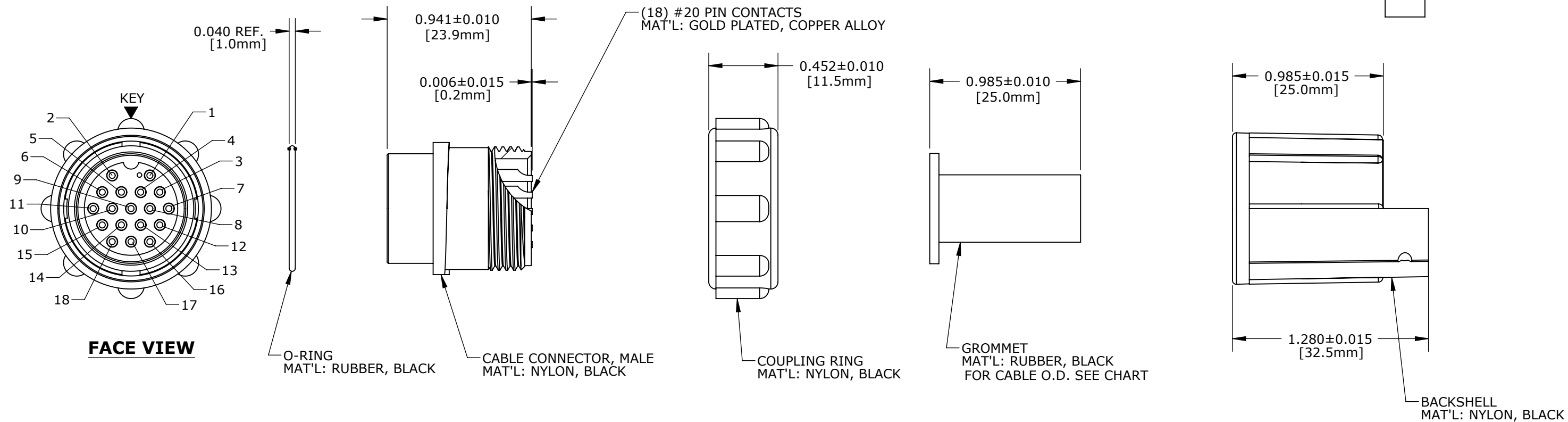


KIT P/N	GROMMET FOR CABLE O.D.
13282-18PG-321	0.21-0.25 [5.3-6.3mm]
13282-18PG-326	0.26-0.30 [6.6-7.6mm]
13282-18PG-331	0.31-0.38 [7.8-9.6mm]

- NOTES:
 1. PARTS TO BE BULK PACKED.
 2. CONTACTS ARE ASSEMBLED INTO CONNECTOR



SHOWN ASSEMBLED KIT
FOR CUSTOMER REFERENCE ONLY

DIMENSIONS IN BRACKETS [] ARE METRIC

CUSTOMER APPROVAL

THIS DOCUMENT CONTAINS CONFIDENTIAL INFORMATION PROPRIETARY TO CONXALL CORPORATION. ANY REPRODUCTION, DISCLOSURE, OR USE OF THIS DOCUMENT /INFORMATION IS EXPRESSLY PROHIBITED UNLESS AUTHORIZED IN WRITING BY CONXALL CORPORATION.

APPROVED BY: _____

DATE: _____

RoHS COMPLIANT

A	AN	11-07-11	DRAWING CREATED PER DOR 11-E149SL	
REV.	INIT.	DATE	DESCRIPTION	
	AN	11-07-11	ALL INFORMATION ILLUSTRATED IS THE PROPERTY OF "CONXALL CORPORATION". UNAUTHORIZED DUPLICATION OR DISTRIBUTION OF THIS DOCUMENT IS PROHIBITED.	
APPROVED BY:			 601 E. WILDWOOD VILLA PARK, IL 60181	
TITLE:			CABLE CONNECTOR KIT (18) #20 PIN CONTACTS, SOLDER TAIL	
CUSTOMER:			STANDARD PRODUCT	
SCALE	SIZE	SHEET	PART NUMBER: 13282-18PG-3XX	
NTS	B	1 OF 1	REV A	
FILE:	DIRECTORY:	PART NUMBER: 13282-18PG-3XX		
13282-18PG-3XX	SLW			