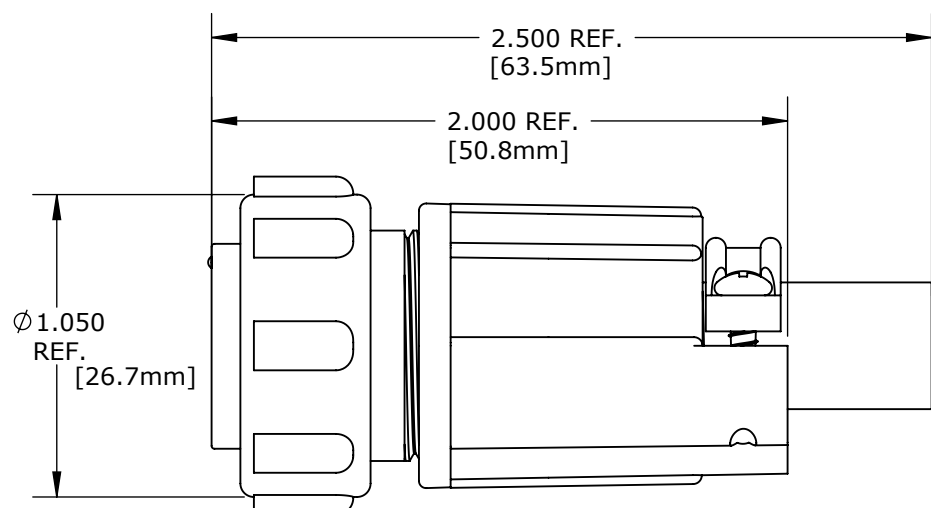
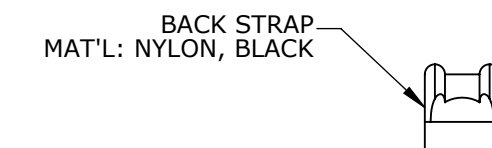
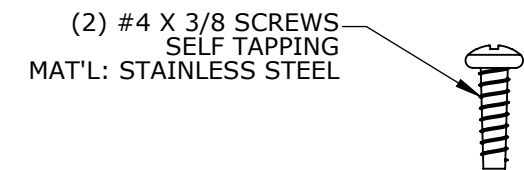
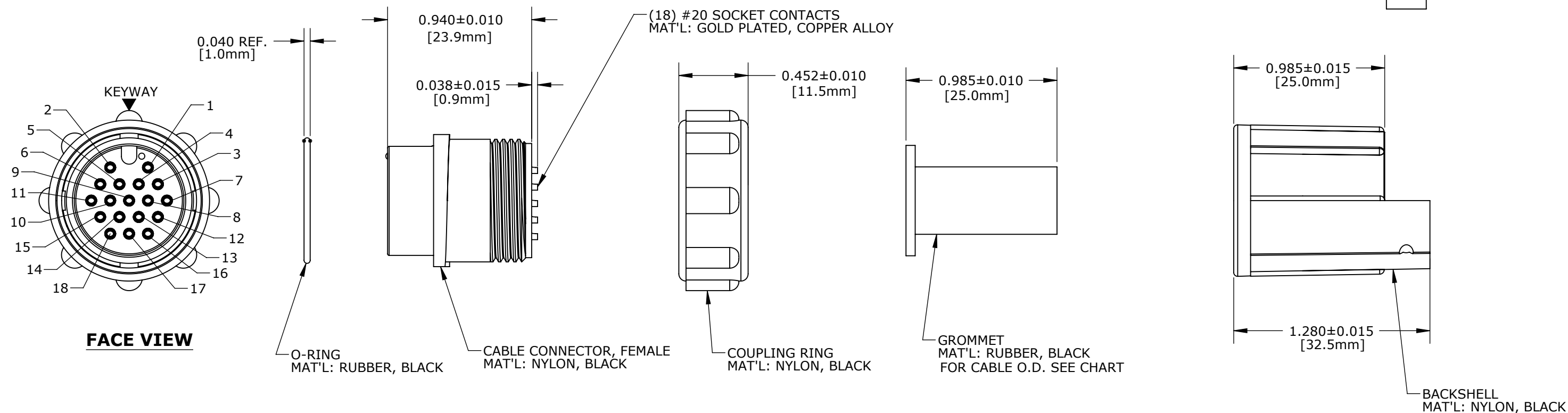


- NOTES:
 1. PARTS TO BE BULK PACKED.
 2. CONTACTS ARE ASSEMBLED INTO CONNECTOR

KIT P/N	GROMMET FOR CABLE O.D.
13282-18SG-321	0.21-0.25 [5.3-6.3mm]
13282-18SG-326	0.26-0.30 [6.6-7.6mm]
13282-18SG-331	0.31-0.38 [7.8-9.6mm]



SHOWN ASSEMBLED KIT
FOR CUSTOMER REFERENCE ONLY

CUSTOMER APPROVAL

THIS DOCUMENT CONTAINS CONFIDENTIAL INFORMATION PROPRIETARY TO CONXALL CORPORATION. ANY REPRODUCTION, DISCLOSURE, OR USE OF THIS DOCUMENT /INFORMATION IS EXPRESSLY PROHIBITED UNLESS AUTHORIZED IN WRITING BY CONXALL CORPORATION.

APPROVED BY: _____
 DATE: _____

RoHS COMPLIANT

DIMENSIONS IN BRACKETS [] ARE METRIC

A	AN	11-07-11	DRAWING CREATED PER DOR 11-E149SL	
REV.	INIT.	DATE	DESCRIPTION	
	AN	11-07-11	CABLE CONNECTOR KIT (18) #20 SOCKET CONTACTS, SOLDER TAIL MAXI-CON-X	
<small>ALL INFORMATION ILLUSTRATED IS THE PROPERTY OF CONXALL CORPORATION. UNAUTHORIZED DUPLICATION OR DISTRIBUTION OF THIS DOCUMENT IS PROHIBITED.</small>				
<small>ALL UNITS ARE IN FEET, INCHES, FRACTION OF INCHES AND DECIMALS. UNLESS OTHERWISE SPECIFIED TOLERANCES: 3 PLACE DECIMALS ±0.010 ANGLES ±1° FRACTIONS ±1/16</small>			TITLE: CABLE CONNECTOR KIT (18) #20 SOCKET CONTACTS, SOLDER TAIL MAXI-CON-X CUSTOMER: STANDARD PRODUCT	
<small>△ - CRITICAL CHARACTERISTIC FLAG PER SPEC. XXXX</small>			SCALE: NTS SIZE: B SHEET: 1 OF 1	PART NUMBER: 13282-18SG-3XX
			APPROVED BY: _____ DATE: _____	DIRECTORY: SLW