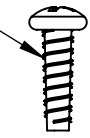


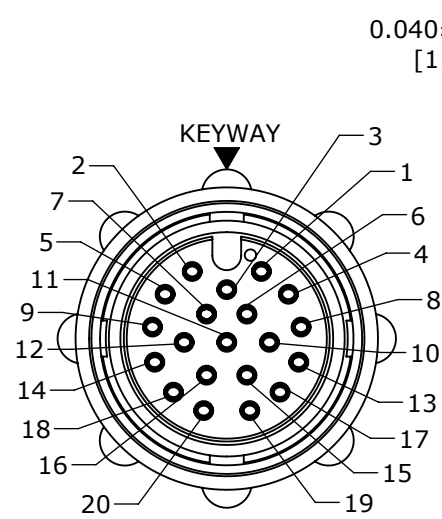
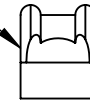
KIT P/N	GROMMET FOR CABLE O.D.
13282-20SG-321	0.21-0.25 [5.3-6.3mm]
13282-20SG-326	0.26-0.30 [6.6-7.6mm]
13282-20SG-331	0.31-0.38 [7.8-9.6mm]

- NOTES:
1. PARTS TO BE BULK PACKED.
2. CONTACTS ASSEMBLED INTO CONNECTOR
3. SEE DRAWING HPMXSTD FOR HOLE PATTERN

(2) #4 X 3/8 SCREWS
SELF TAPPING
MAT'L: STAINLESS STEEL



BACK STRAP
MAT'L: NYLON, BLACK



FACE VIEW

0.040±0.010
[1.0mm]

0.940±0.010
[23.9mm]

0.030±0.015
[0.8mm]

0.452±0.010
[11.5mm]

0.985±0.010
[25.0mm]

0.985±0.015
[25.0mm]

1.280±0.015
[32.5mm]

O-RING
MAT'L: RUBBER, BLACK

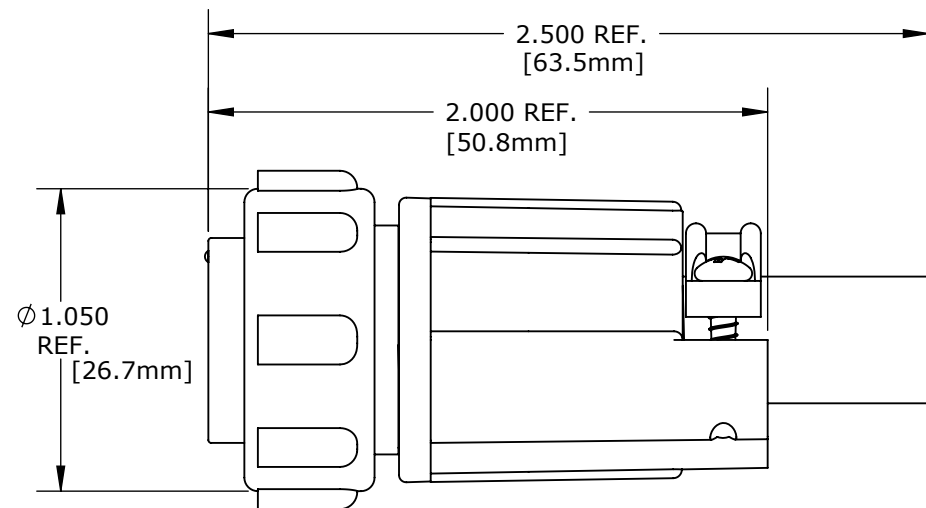
CABLE CONNECTOR, FEMALE
MAT'L: NYLON, BLACK

(20) #20 SOCKET CONTACTS
MAT'L: GOLD PLATED, COPPER ALLOY

COUPLING RING
MAT'L: NYLON, BLACK

GROMMET
MAT'L: RUBBER, BLACK
FOR CABLE O.D. SEE CHART

BACKSHELL
MAT'L: NYLON, BLACK



SHOWN ASSEMBLED KIT
FOR CUSTOMER REFERENCE ONLY

CUSTOMER APPROVAL

THIS DOCUMENT CONTAINS CONFIDENTIAL INFORMATION PROPRIETARY TO CONXALL CORPORATION. ANY REPRODUCTION, DISCLOSURE, OR USE OF THIS DOCUMENT /INFORMATION IS EXPRESSLY PROHIBITED UNLESS AUTHORIZED IN WRITING BY CONXALL CORPORATION.

APPROVED BY: _____
DATE: _____

RoHS COMPLIANT

DIMENSIONS IN BRACKETS [] ARE METRIC

A	AN	01-07-11	DRAWING CREATED PER DOR 11-E149SL	
REV.	INIT.	DATE	DESCRIPTION	
	AN	01-07-11	CABLE CONNECTOR KIT (20) #20 SOCKET CONTACTS, SOLDER TAIL MAXI-CON-X STANDARD PRODUCT	
ALL INFORMATION ILLUSTRATED IS THE PROPERTY OF "CONXALL CORPORATION". UNAUTHORIZED DUPLICATION OR DISTRIBUTION OF THIS DOCUMENT IS PROHIBITED.			ORIG. DRAWN BY: AN	DATE: 01-07-11
ALL UNITS ARE IN FEET, INCHES, FRACTION OF INCHES AND DECIMALS.			CHECKED BY:	
			APPROVED BY:	
SCALE	SIZE	SHEET	TITLE:	
NTS	B	1 OF 1	CABLE CONNECTOR KIT (20) #20 SOCKET CONTACTS, SOLDER TAIL MAXI-CON-X STANDARD PRODUCT	
FILE:	DIRECTORY:	PART NUMBER:	CUSTOMER:	
13282-20SG-3XX	SLW	13282-20SG-3XX	STANDARD PRODUCT	
				REV A

CUSTOMER PRINT

PART NUMBER: 13282-20SG-3XX