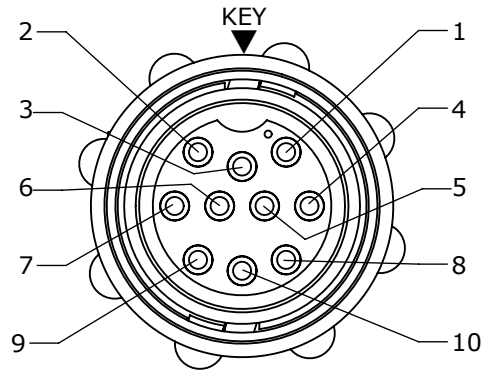
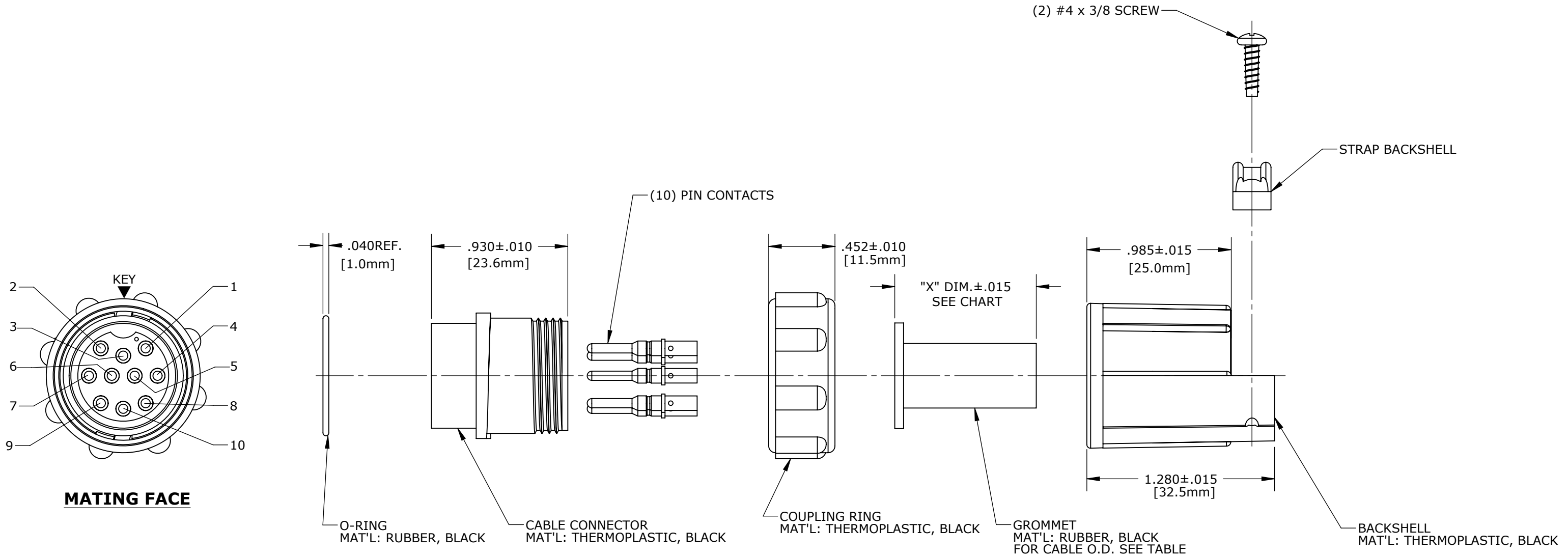


CUSTOMER PRINT

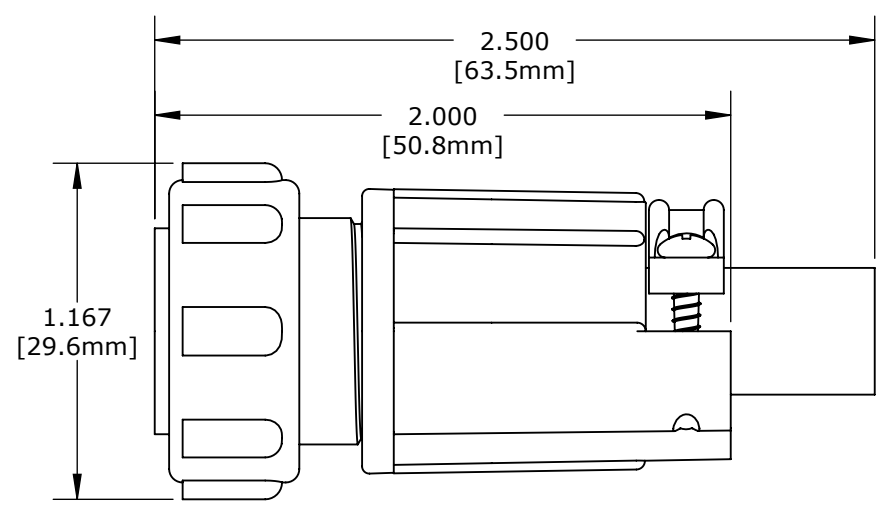
PART NUMBER: 13380-10PG-3XX

ASSY P/N	CABLE O.D.	"X" DIM.
13380-10PG-321	0.21-0.25 [5.3-6.3mm]	0.985 [25.0mm]
13380-10PG-326	0.26-0.30 [6.6-7.6mm]	0.985 [25.0mm]
13380-10PG-331	0.31-0.38 [7.8-9.6mm]	0.965 [24.5mm]

NOTES:  
 1. PARTS TO BE BULK PACKED.  
 2. ALL DIMENSIONS ARE REFERENCE ONLY



**MATING FACE**



**SHOWN ASSEMBLED KIT FOR CUSTOMER REFERENCE ONLY**

**CUSTOMER APPROVAL**  
 THIS DOCUMENT CONTAINS CONFIDENTIAL INFORMATION PROPRIETARY TO CONXALL CORPORATION. ANY REPRODUCTION, DISCLOSURE, OR USE OF THIS DOCUMENT / INFORMATION IS EXPRESSLY PROHIBITED UNLESS AUTHORIZED IN WRITING BY CONXALL CORPORATION.  
 APPROVED BY: \_\_\_\_\_  
 DATE: \_\_\_\_\_

DIMENSIONS IN BRACKET [ ] ARE METRIC.

B	PD	09-13-12	ADDED MATERIALS TO DESCRIPTIONS PER DOR 12-E149SL #30
A	BZ	07-24-09	DRAWING CREATED PER DOR 09-E149SL
REV.	INIT.	DATE	DESCRIPTION
	BZ	07-24-09	ORIG. DRAWN BY: DATE: 07-24-09
ALL INFORMATION ILLUSTRATED IS THE PROPERTY OF CONXALL CORPORATION. UNAUTHORIZED DUPLICATION OR DISTRIBUTION OF THIS DOCUMENT IS PROHIBITED.			<p>601 E. WILDWOOD VILLA PARK, IL 60181</p>
ALL UNITS ARE IN FEET, INCHES, FRACTION OF INCHES AND DECIMALS.			
APPROVED BY:		TITLE: CONNECTOR KIT (10) PIN CONTACTS (CRIMP) MAXI-CON-X	
SCALE	SIZE	SHEET	CUSTOMER: STANDARD PRODUCT
NTS	B	1 OF 1	
FILE:	DIRECTORY:	PART NUMBER:	REV
13380-10PG-3XX	SLW	13380-10PG-3XX	B