

CUSTOMER PRINT

PART NUMBER: 13380-XXSG-3XX

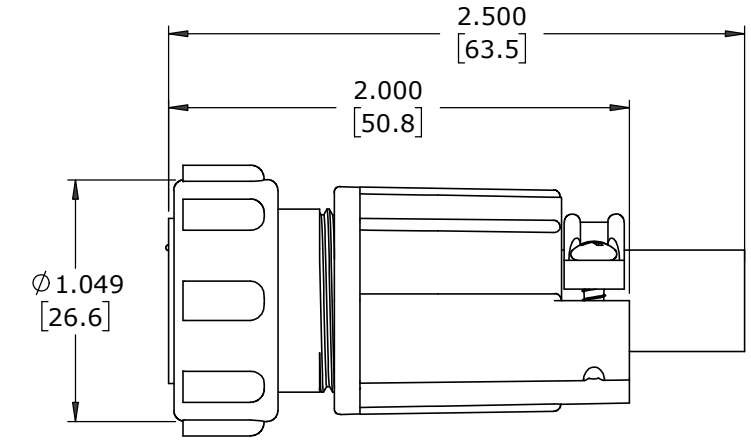
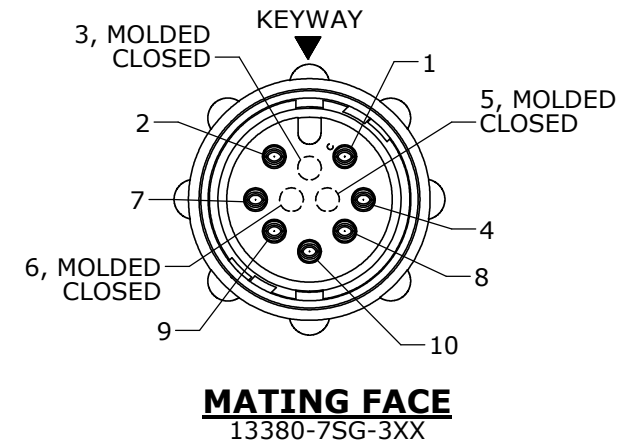
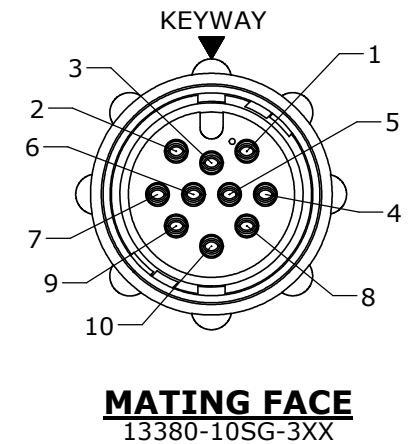
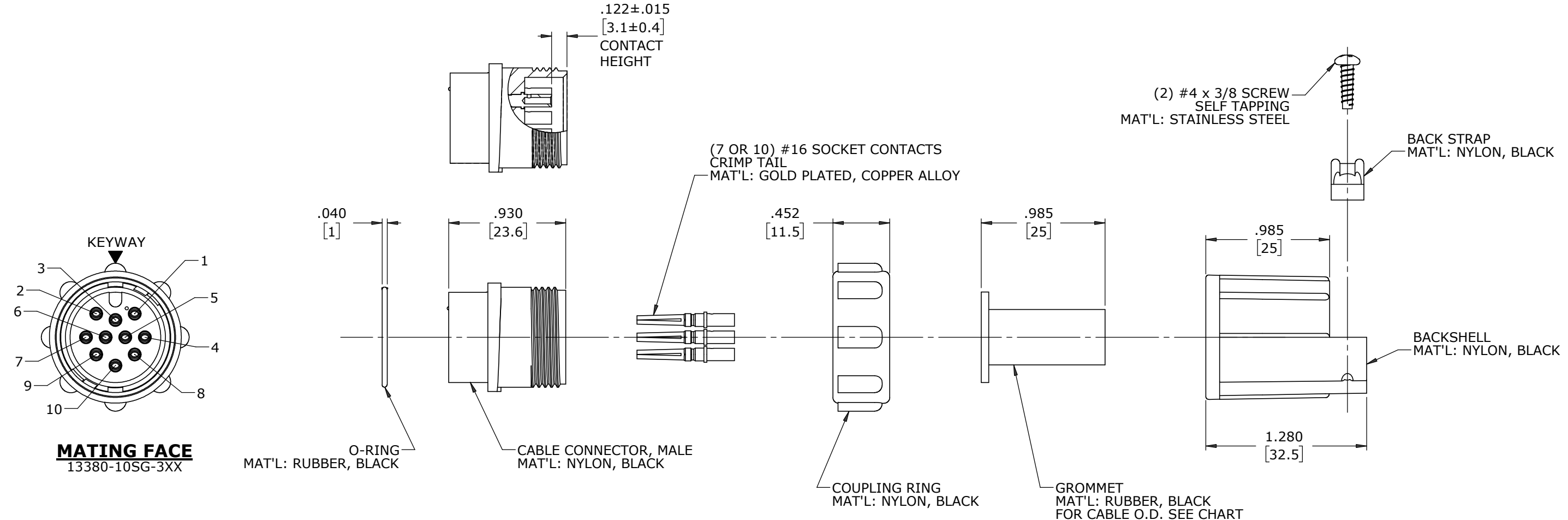
NOTES:

1. ALL PARTS TO BE BULK PACKED
2. CONTACTS ARE SHIPPED UNASSEMBLED
3. SEE DRAWING HPMXSTD FOR HOLE PATTERN
4. ALL DIMENSIONS ARE REFERENCE EXCEPT THOSE WITH A TOLERANCE

ASSY P/N	FOR CABLE O.D.
13380-XXSG-321	.21-.25 [5.3-6.4]
13380-XXSG-326	.26-.30 [6.6-7.6]
13380-XXSG-331	.31-.38 [7.9-9.7]

ASSY P/N	NO. OF CONTACTS
13380-7SG-3XX	7
13380-10SG-3XX	10
13380-XXSG-3XX	

GROMMET SIZE
NUMBER OF CONTACTS



DIMENSIONS IN BRACKETS [] ARE IN MILLIMETERS

CUSTOMER APPROVAL

THIS DOCUMENT CONTAINS CONFIDENTIAL INFORMATION PROPRIETARY TO CONXALL CORPORATION. ANY REPRODUCTION, DISCLOSURE, OR USE OF THIS DOCUMENT /INFORMATION IS EXPRESSLY PROHIBITED UNLESS AUTHORIZED IN WRITING BY CONXALL CORPORATION.

CHECKED BY: _____
APPROVED BY: _____
DATE: _____

REV.	INIT.	DATE	DESCRIPTION
B	MA	11-30-20	SUPERSEDES 13380-10SG-3XX. ADDED 13380-7SG-300 AND VIEWS PER DOR 15-E253SL-38
A	AN	06-20-11	DRAWING CREATED PER DOR 11-E149SL

ALL INFORMATION ILLUSTRATED IS THE PROPERTY OF CONXALL CORPORATION. UNAUTHORIZED DUPLICATION OR DISTRIBUTION OF THIS DOCUMENT IS PROHIBITED.	ORIG. DRAWN BY: AN DATE: 06-20-11	
ALL UNITS ARE IN FEET, INCHES, FRACTION OF INCHES AND DECIMALS.	CHECKED BY:	
SCALE: NTS	SIZE: B	SHEET: 1 OF 1
FILE: 13380-XXSG-3XX	DIRECTORY: SLW	TITLE: CONNECTOR KIT (7 & 10) #16 SOCKET CONTACTS, CRIMP TAIL MAXI-CON-X CUSTOMER: STANDARD PRODUCT
PART NUMBER: 13380-XXSG-3XX		REV: B

RoHS COMPLIANT