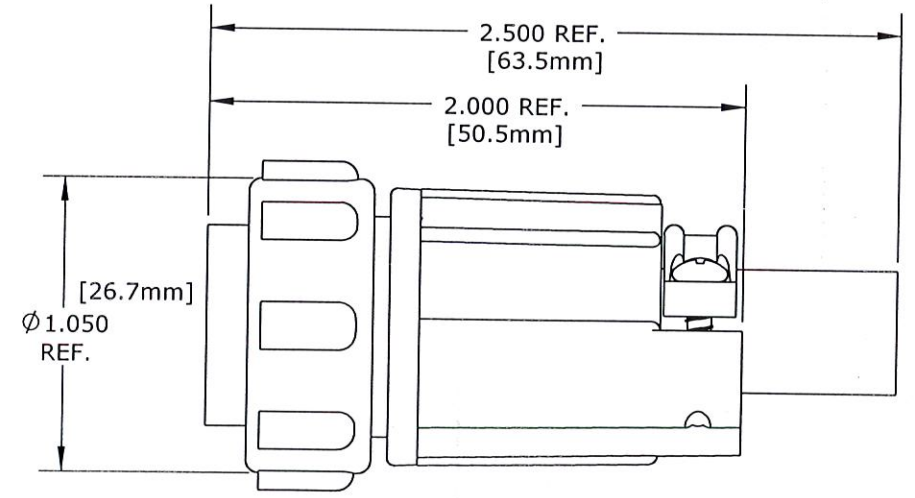
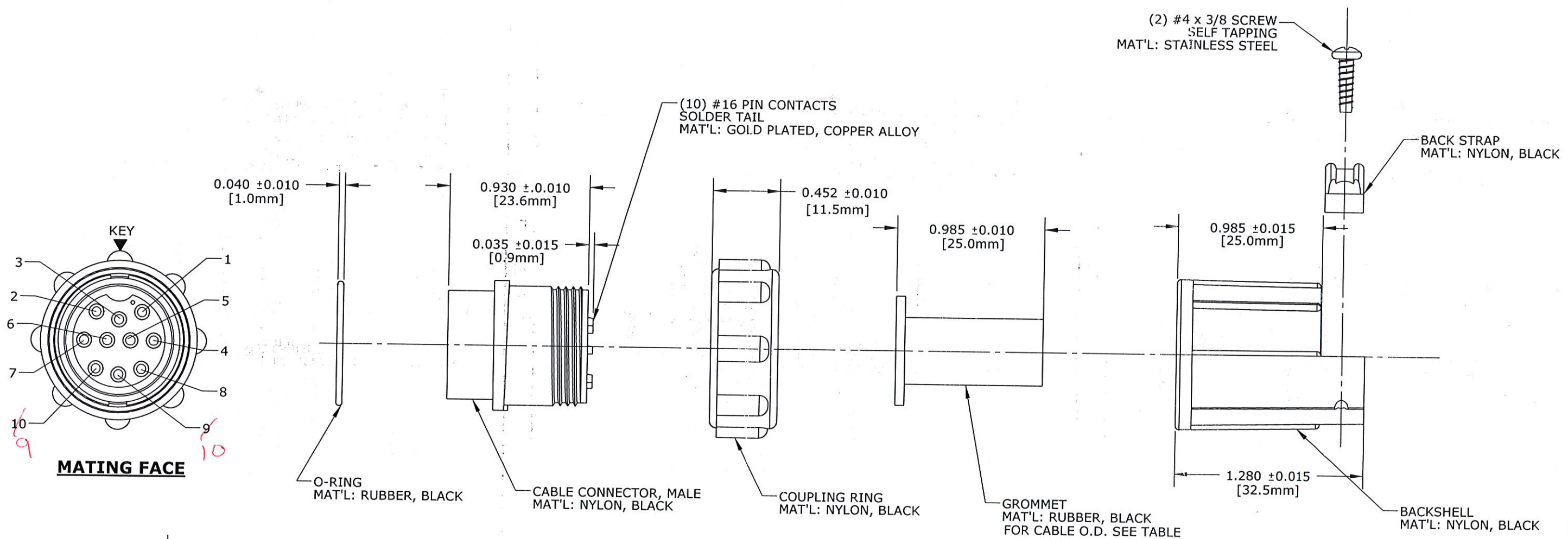


ASSY P/N	CABLE O.D.
13382-10PG-321	0.21-0.25 [5.3-6.3mm]
13382-10PG-326	0.26-0.30 [6.6-7.6mm]
13382-10PG-331	0.31-0.38 [7.8-9.6mm]

- NOTES:
- PARTS TO BE BULK PACKED.
  - CONTACTS ASSEMBLED INTO CONNECTOR.
  - SEE DRAWING HPMXSTD FOR HOLE PATTERN



CUSTOMER PRINT

PART NUMBER: 13382-10PG-3XX

**COPY**

**CUSTOMER APPROVAL**

THIS DOCUMENT CONTAINS CONFIDENTIAL INFORMATION PROPRIETARY TO CONXALL CORPORATION. ANY REPRODUCTION, DISCLOSURE, OR USE OF THIS DOCUMENT / INFORMATION IS EXPRESSLY PROHIBITED UNLESS AUTHORIZED IN WRITING BY CONXALL CORPORATION.

CHECKED BY: \_\_\_\_\_

APPROVED BY: \_\_\_\_\_

DATE: \_\_\_\_\_

**RoHS COMPLIANT**

DIMENSIONS IN BRACKETS [ ] ARE METRIC.

REV. A	INIT. AN	DATE 01-06-11	DESCRIPTION DRAWING CREATED PER DOR 11-E149SL
<small>ALL INFORMATION ILLUSTRATED IS THE PROPERTY OF CONXALL CORPORATION. UNAUTHORIZED DUPLICATION OR DISTRIBUTION OF THIS DOCUMENT IS PROHIBITED.</small>			<small>ALL UNITS ARE IN FEET, INCHES, FRACTION OF INCHES AND DECIMALS.</small>
<small>ORIG. DRAWN BY: AN</small> <small>CHECKED BY: [Signature] 1/10/11</small> <small>APPROVED BY: [Signature] 1/12/11</small>		<small>DATE: 01-06-11</small>	
<small>SCALE: NTS</small> <small>SIZE: B</small> <small>SHEET: 1 OF 1</small>		<small>FILE: 13382-10PG-3XX</small> <small>DIRECTORY: SLW</small>	<small>TITLE: CONNECTOR KIT (10) #16 PIN CONTACTS, SOLDER TAIL MAXI-CON-X</small> <small>CUSTOMER: STANDARD PRODUCT</small>
<small>PART NUMBER: 13382-10PG-3XX</small>			<small>REV. A</small>