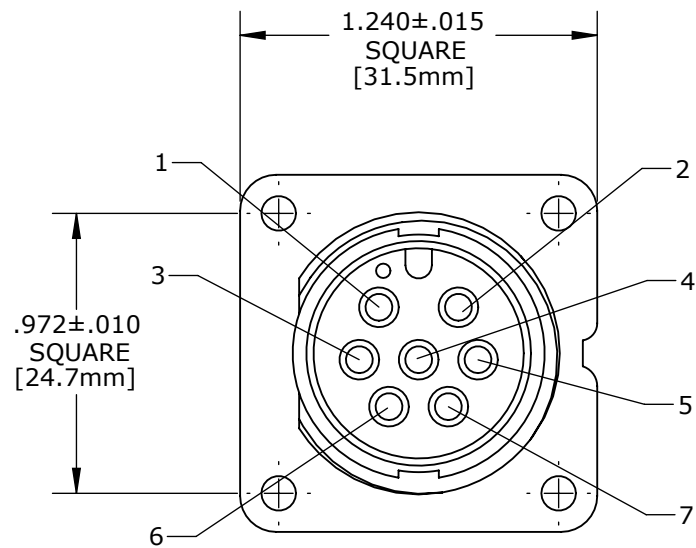
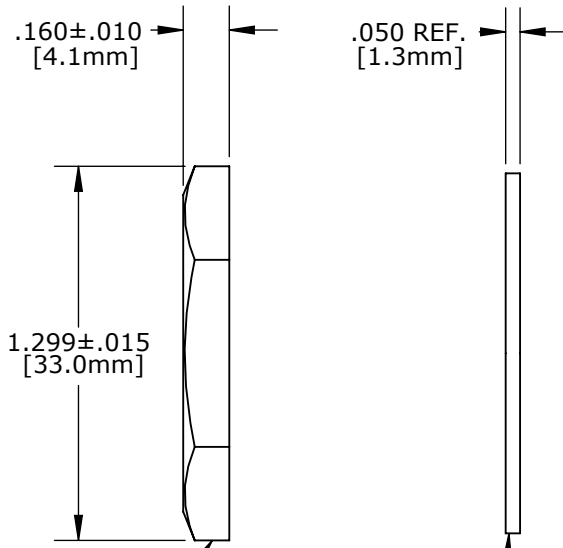


NOTES:
 1. PARTS TO BE BULK PACKED

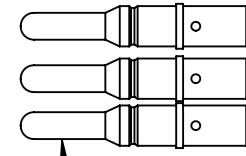
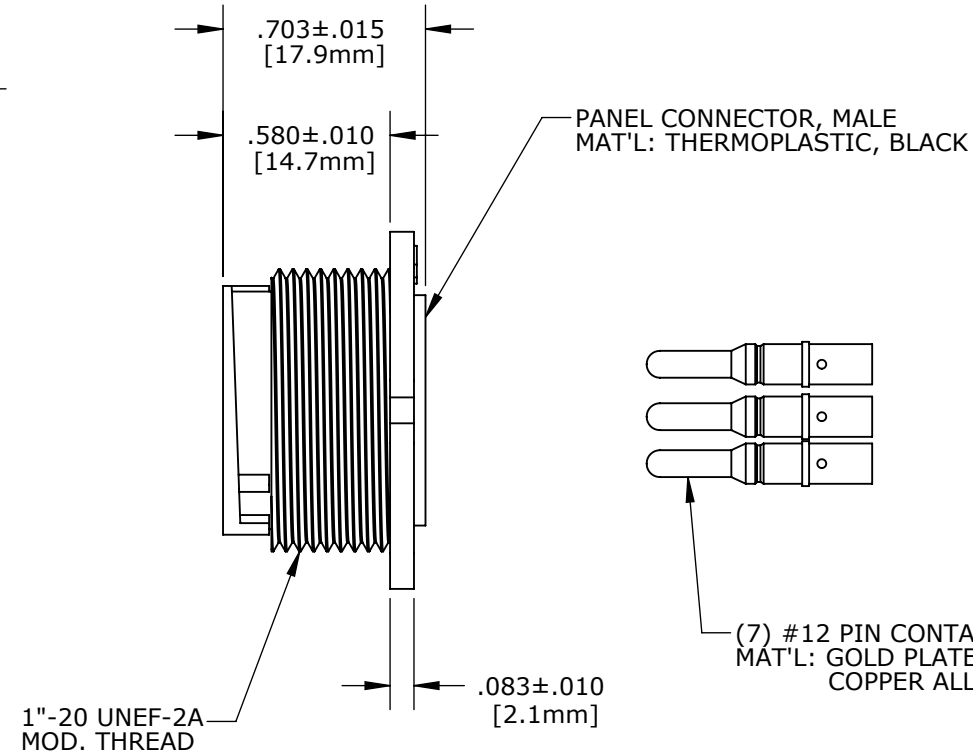


FACE VIEW

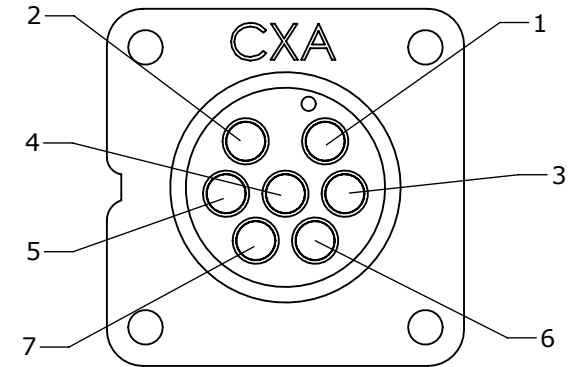


HEX NUT
 1.125 ACROSS FLAT
 MAT'L: THERMOPLASTIC, BLACK

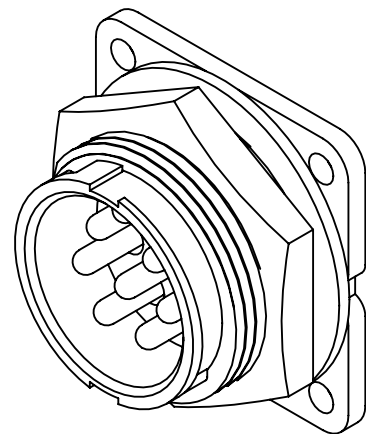
GASKET
 MAT'L: RUBBER, BLACK



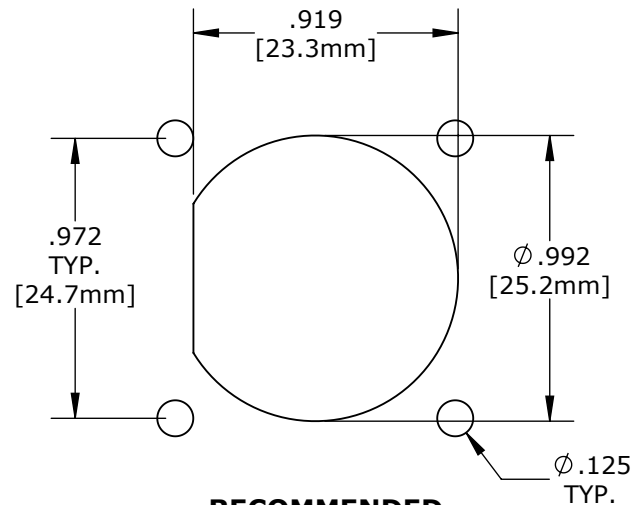
(7) #12 PIN CONTACTS
 MAT'L: GOLD PLATED
 COPPER ALLOY



WIRING END



SHOWN ASSEMBLY KIT
 FOR CUSTOMER REFERENCE ONLY



**RECOMMENDED
 PANEL CUTOUT**
 TOLERANCE: ±.003

CUSTOMER APPROVAL

THIS DOCUMENT CONTAINS CONFIDENTIAL INFORMATION PROPRIETARY TO CONXALL CORPORATION. ANY REPRODUCTION, DISCLOSURE, OR USE OF THIS DOCUMENT / INFORMATION IS EXPRESSLY PROHIBITED UNLESS AUTHORIZED IN WRITING BY CONXALL CORPORATION.

APPROVED BY: _____

DATE: _____

DIMENSIONS IN BRACKETS [] ARE METRIC

RoHS COMPLIANT

A	AN	10-08-12	DRAWING CREATED PER DOR 12-E149SL #35
REV.	INIT.	DATE	DESCRIPTION
	AN	10-08-12	
<small>ALL INFORMATION ILLUSTRATED IS THE PROPERTY OF CONXALL CORPORATION. UNAUTHORIZED DUPLICATION OR DISTRIBUTION OF THIS DOCUMENT IS PROHIBITED.</small>			<p>601 E. WILDWOOD VILLA PARK, IL 60181</p>
<small>ALL UNITS ARE IN FEET, INCHES, FRACTION OF INCHES AND DECIMALS.</small>			
APPROVED BY:		TITLE: PANEL MOUNT ASSEMBLY (7) #12 PIN CONTACT, CRIMP MAXI-CON-X	
SCALE: NTS	SIZE: B	SHEET: 1 OF 1	CUSTOMER: STANDARD PRODUCT
FILE: 14180-7PG-300	DIRECTORY: SLW	PART NUMBER: 14180-7PG-300	REV: A

CUSTOMER PRINT

PART NUMBER: 14180-7PG-300