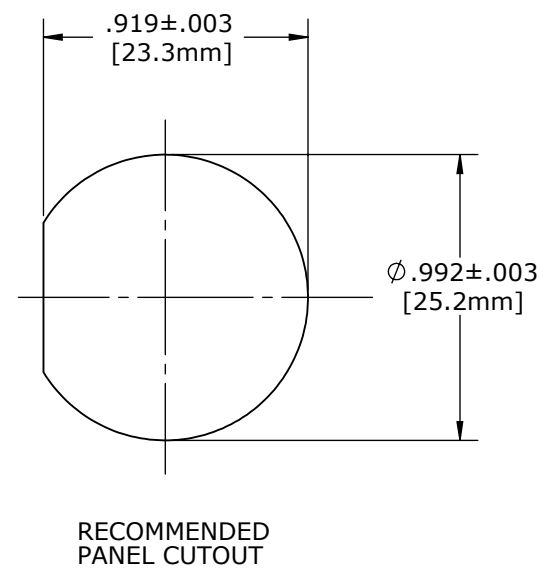
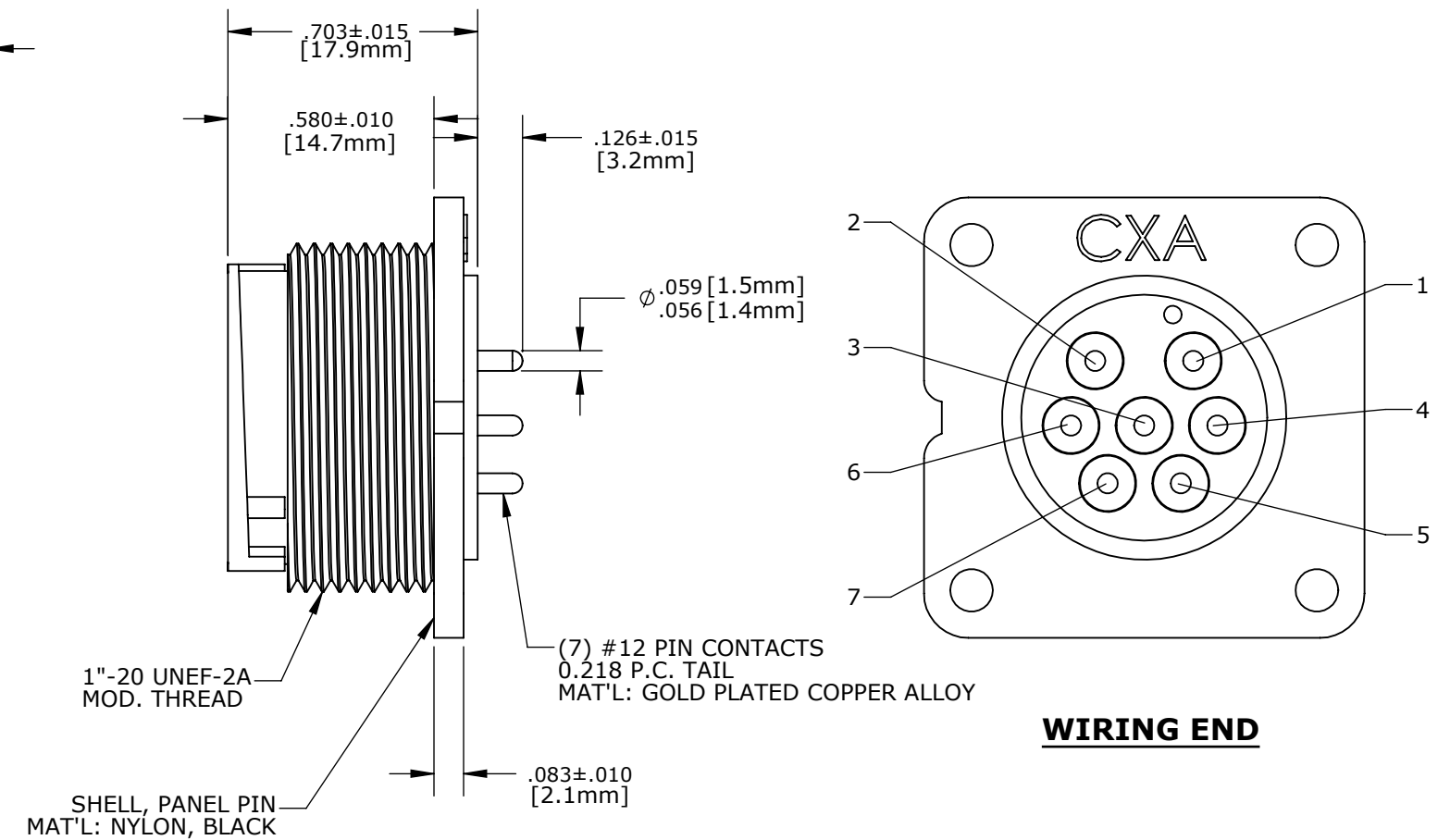
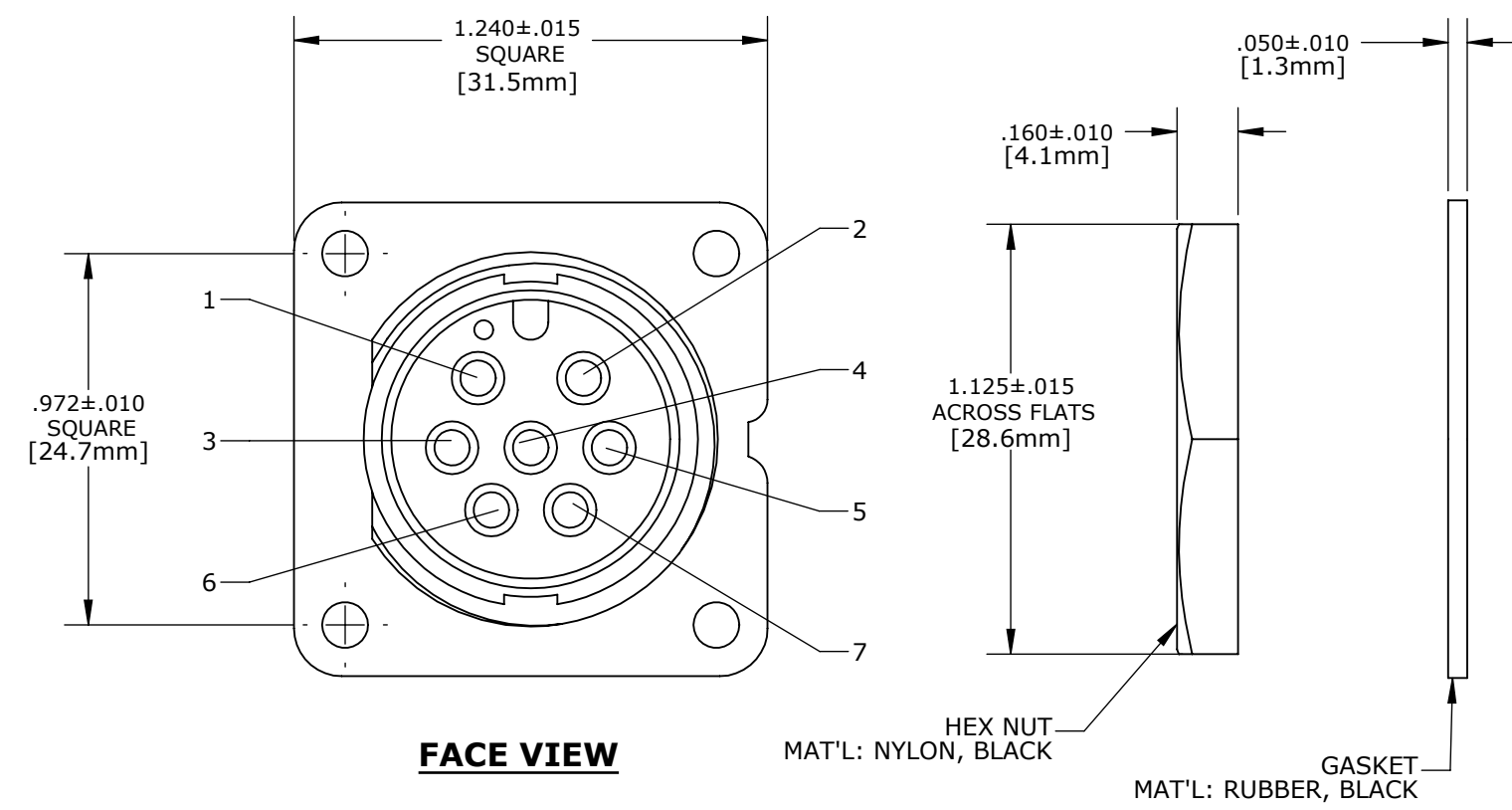


ASSY. P/N	CONTACT QTY.
14181-7PG-300	7 #12

NOTES:  
 1. PARTS TO BE BULK PACKED  
 2. CONTACTS ARE INSERTED IN CONNECTOR.  
 3. SEE DRAWING HPMXSTD FOR HOLE PATTERN.

CUSTOMER PRINT

PART NUMBER: 14181-7PG-300



DIMENSIONS IN BRACKETS [ ] ARE METRIC

**CUSTOMER APPROVAL**  
 THIS DOCUMENT CONTAINS CONFIDENTIAL INFORMATION PROPRIETARY TO CONXALL CORPORATION. ANY REPRODUCTION, DISCLOSURE, OR USE OF THIS DOCUMENT / INFORMATION IS EXPRESSLY PROHIBITED UNLESS AUTHORIZED IN WRITING BY CONXALL CORPORATION.  
 APPROVED BY: \_\_\_\_\_  
 DATE: \_\_\_\_\_

**RoHS COMPLIANT**

A	BZ	06-10-10	DRAWING CREATED PER DOR 10-E149SL
REV.	INIT.	DATE	DESCRIPTION
	BZ	06-10-10	ORIG. DRAWN BY: DATE: BZ 06-10-10
ALL INFORMATION ILLUSTRATED IS THE PROPERTY OF "CONXALL CORPORATION". UNAUTHORIZED DUPLICATION OR DISTRIBUTION OF THIS DOCUMENT IS PROHIBITED.			 601 E. WILDWOOD VILLA PARK, IL 60181
ALL UNITS ARE IN FEET, INCHES, FRACTION OF INCHES AND DECIMALS. UNLESS OTHERWISE SPECIFIED TOLERANCES: 3 PLACE DECIMALS ±.010 ANGLES ±1° FRACTIONS ±1/16			
APPROVED BY: _____			TITLE: PANEL MOUNT ASSEMBLY (7) #12 PIN CONTACT, PC TAIL
SCALE	SIZE	SHEET	CUSTOMER: STANDARD PRODUCT
NTS	B	1 OF 1	
FILE:	DIRECTORY:	PART NUMBER:	REV
14181-7PG-300	SLW	14181-7PG-300	A