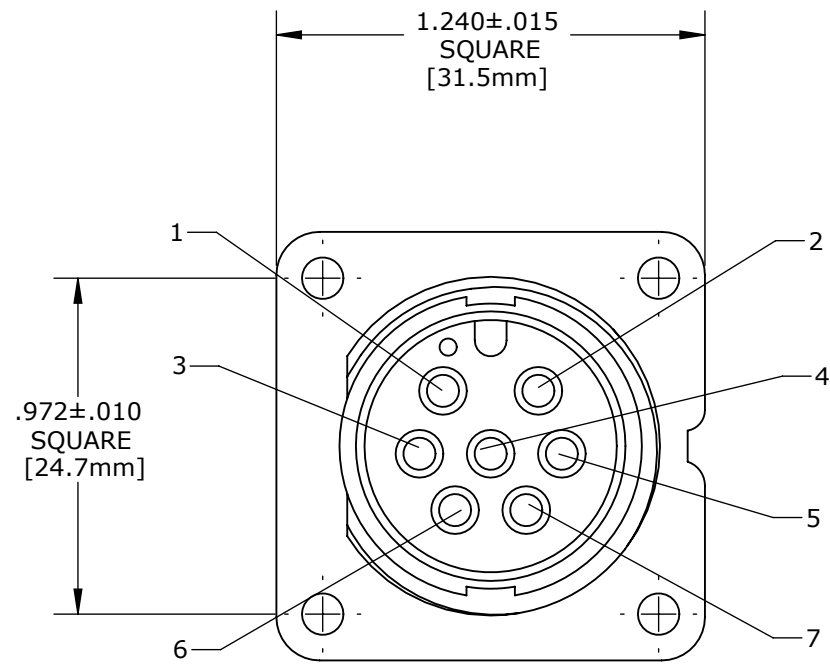
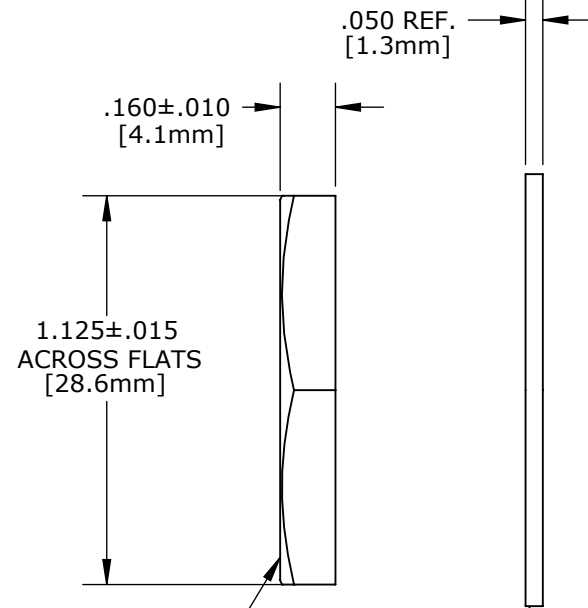


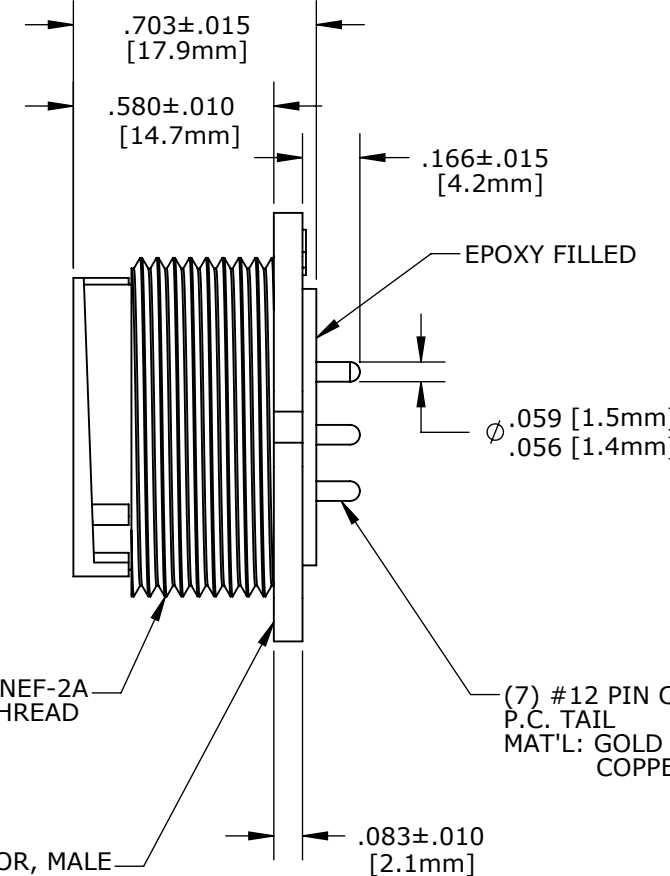
- NOTES:
 1. PARTS TO BE BULK PACKED
 2. CONTACTS ARE INSERTED INTO CONNECTOR.
 3. SEE DRAWING HPMXSTD FOR HOLE PATTERN.
 4. REAR END TO BE FILLED WITH BLACK EPOXY



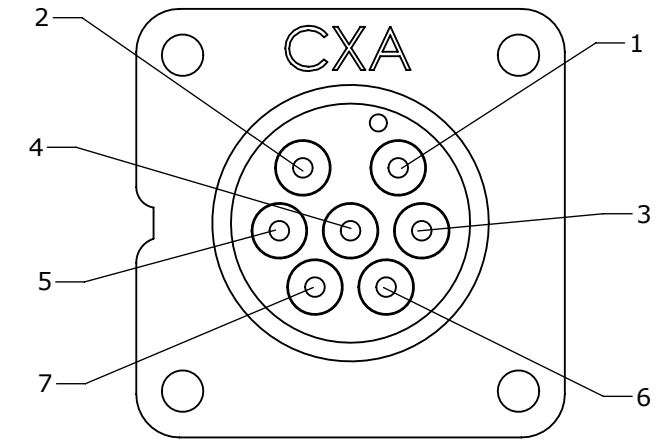
FACE VIEW



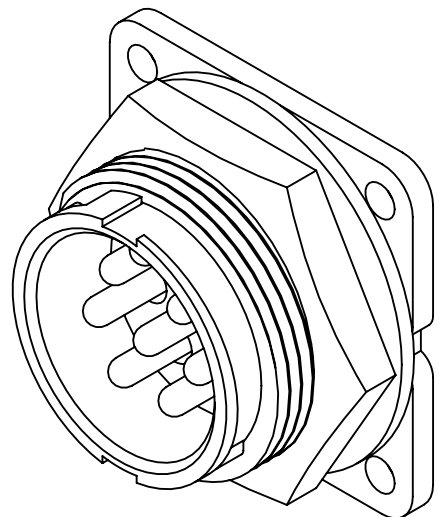
1"-20 UNEF-2A MOD. THREAD
 PANEL CONNECTOR, MALE MAT'L: THERMOPLASTIC, BLACK



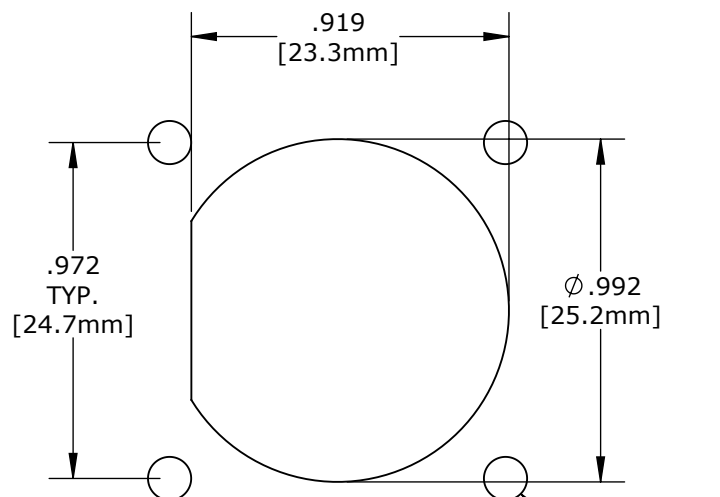
(7) #12 PIN CONTACTS P.C. TAIL MAT'L: GOLD PLATED COPPER ALLOY



WIRING END



SHOWN ASSEMBLY KIT FOR CUSTOMER REFERENCE ONLY



RECOMMENDED PANEL CUTOUT TOLERANCE: ±.003

DIMENSIONS IN BRACKETS [] ARE METRIC

CUSTOMER APPROVAL
 THIS DOCUMENT CONTAINS CONFIDENTIAL INFORMATION PROPRIETARY TO CONXALL CORPORATION. ANY REPRODUCTION, DISCLOSURE, OR USE OF THIS DOCUMENT / INFORMATION IS EXPRESSLY PROHIBITED UNLESS AUTHORIZED IN WRITING BY CONXALL CORPORATION.
 APPROVED BY: _____
 DATE: _____

RoHS COMPLIANT

A	AN	08-21-12	DRAWING CREATED PER DOR 12-E149SL #23
REV.	INIT.	DATE	DESCRIPTION
	AN	08-20-12	
<small>ALL INFORMATION ILLUSTRATED IS THE PROPERTY OF "CONXALL CORPORATION." UNAUTHORIZED DUPLICATION OR DISTRIBUTION OF THIS DOCUMENT IS PROHIBITED.</small>			<p>601 E. WILDWOOD VILLA PARK, IL 60181</p>
<small>ALL UNITS ARE IN FEET, INCHES, FRACTION OF INCHES AND DECIMALS. UNLESS OTHERWISE SPECIFIED TOLERANCES: 3 PLACE DECIMALS ±.010 ANGLES ±1° FRACTIONS ±1/16 - CRITICAL CHARACTERISTIC FLAG PER SPEC. XXXX</small>			
APPROVED BY:		SCALE	SIZE
DATE:		NTS	B
		SHEET 1 OF 1	
FILE:	DIRECTORY:	PART NUMBER:	REV
14181-7PG-3ES	SLW	14181-7PG-3ES	A
TITLE: PANEL MOUNT ASSEMBLY (7) #12 PIN CONTACT, PC TAIL MAXI-CON-X			CUSTOMER: STANDARD PRODUCT