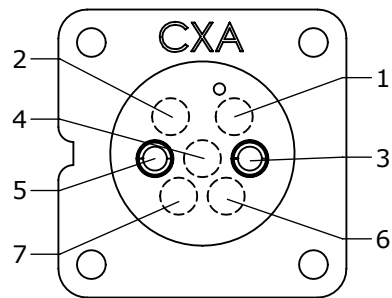


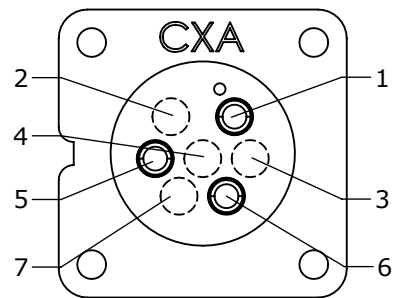
ASS'Y P/N	NO. OF CONTACT
14182-2SG-300	2
14182-3SG-300	3
14182-4SG-300	4
14182-5SG-300	5
14182-6SG-300	6
14182-7SG-300	7

NOTES:

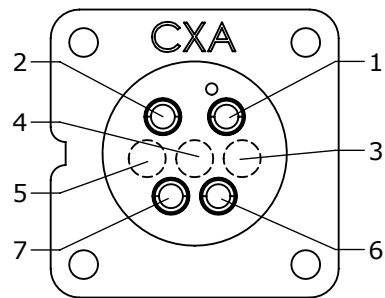
- PARTS ARE BULK PACKED
- CONTACTS ARE INSTALLED INTO CONNECTOR



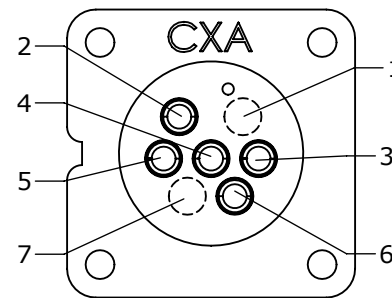
WIRING END
ASS'Y P/N: 14182-2SG-300



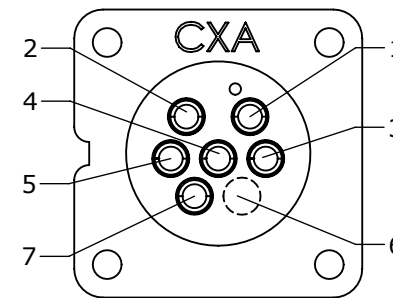
WIRING END
ASS'Y P/N: 14182-3SG-300



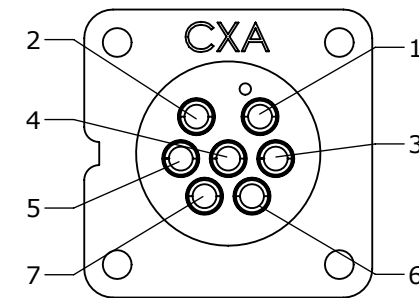
WIRING END
ASS'Y P/N: 14182-4SG-300



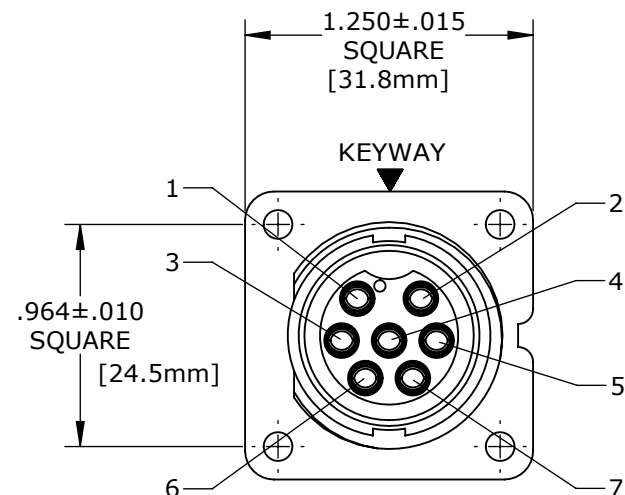
WIRING END
ASS'Y P/N: 14182-5SG-300



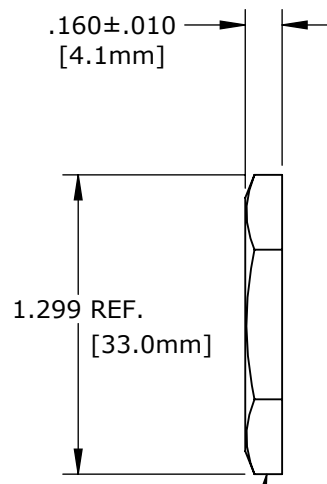
WIRING END
ASS'Y P/N: 14182-6SG-300



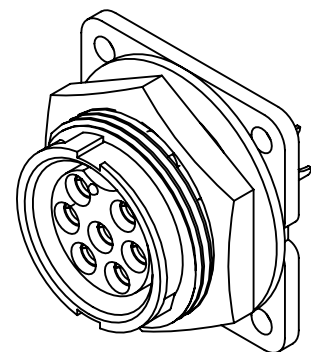
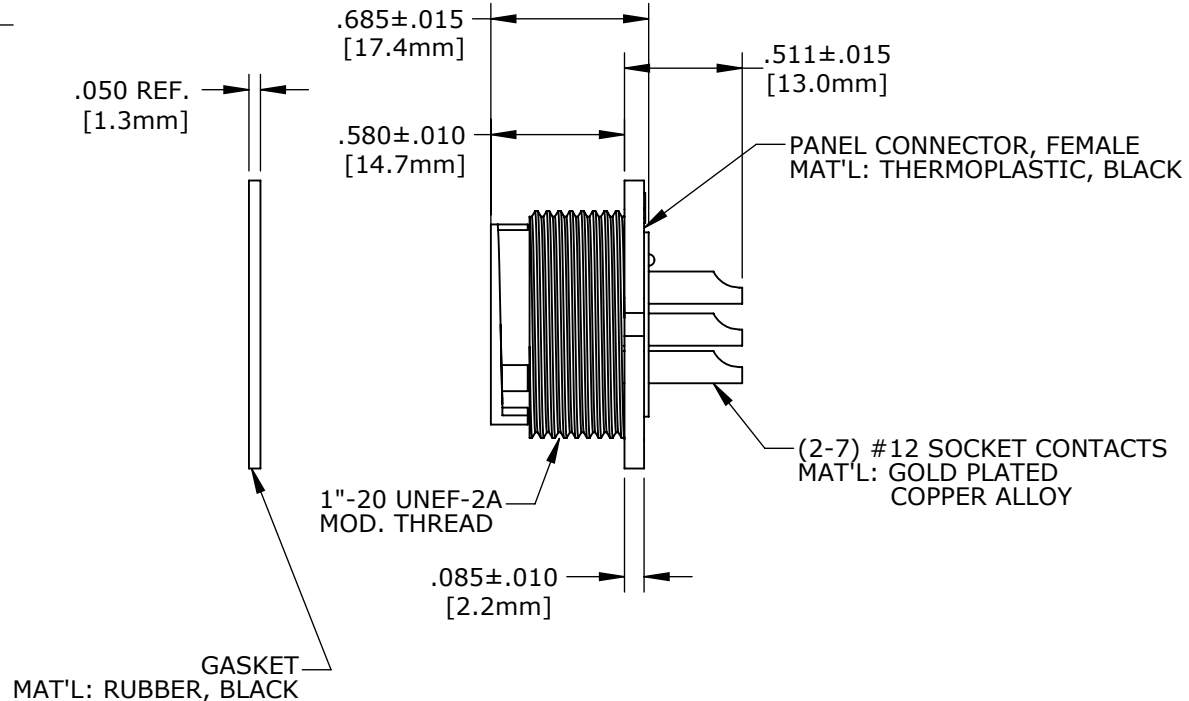
WIRING END
ASS'Y P/N: 14182-7SG-300



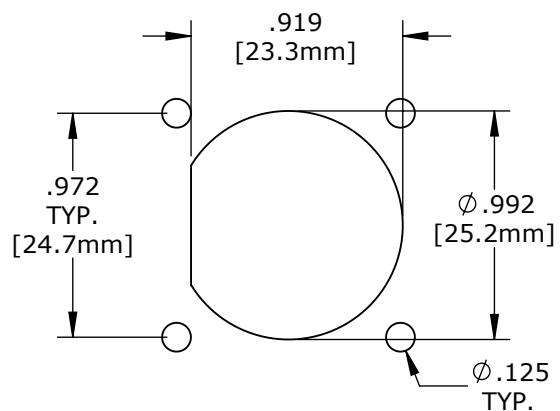
FACE VIEW
P/N: 14182-7SG-300 SHOWN



HEX NUT
1.125 ACROSS FLAT
MAT'L: THERMOPLASTIC, BLACK



SHOWN ASSEMBLY KIT
FOR CUSTOMER REFERENCE ONLY



RECOMMENDED PANEL CUTOUT
TOLERANCE: ±.003

DIMENSIONS IN BRACKETS [] ARE METRIC

CUSTOMER APPROVAL

THIS DOCUMENT CONTAINS CONFIDENTIAL INFORMATION PROPRIETARY TO CONXALL CORPORATION. ANY REPRODUCTION, DISCLOSURE, OR USE OF THIS DOCUMENT / INFORMATION IS EXPRESSLY PROHIBITED UNLESS AUTHORIZED IN WRITING BY CONXALL CORPORATION.

APPROVED BY: _____

DATE: _____

RoHS COMPLIANT

REV.	INIT.	DATE	DESCRIPTION
A	AN	05-23-14	DRAWING CREATED PER DOR 14-E149SL #19
<small>ALL INFORMATION ILLUSTRATED IS THE PROPERTY OF CONXALL CORPORATION. UNAUTHORIZED DUPLICATION OR DISTRIBUTION OF THIS DOCUMENT IS PROHIBITED.</small>			<small>ORIG. DRAWN BY: AN</small> <small>DATE: 05-15-14</small>
<small>ALL UNITS ARE IN FEET, INCHES, FRACTION OF INCHES AND DECIMALS.</small>			
<small>SCALE: NTS</small> <small>SIZE: B</small> <small>SHEET: 1 OF 1</small>			TITLE: PANEL MOUNT ASSEMBLY (2-7) #12 SOCKET CONTACT, SOLDER MAXI-CON-X CUSTOMER: STANDARD PRODUCT
<small>FILE: 14182-XSG-300</small> <small>DIRECTORY: SLW</small>			PART NUMBER: 14182-XSG-300 <small>REV: A</small>

CUSTOMER PRINT

PART NUMBER: 14182-XSG-300