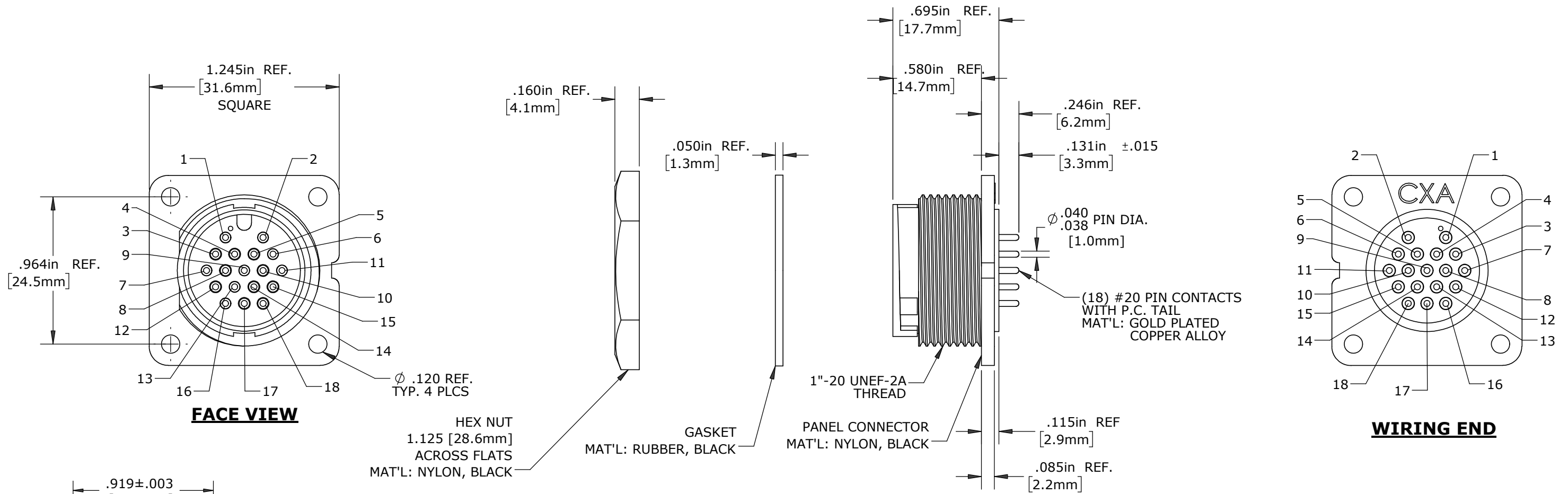


- Ⓢ NOTES:
1. FINISHED PRODUCT TO BE BOXED.
GASKET AND HEX NUT MAY BE PACKAGED SEPARATELY.
 2. CONTACTS ARE INSERTED IN CONNECTOR.
 3. ALL DIMENSIONS ARE REFERENCE ONLY EXCEPT WHERE NOTED WITH A TOLERANCE DIMENSIONS IN BRACKETS [] ARE METRIC.



DIMENSIONS IN BRACKETS [] ARE METRIC

CUSTOMER APPROVAL

THIS DOCUMENT CONTAINS CONFIDENTIAL INFORMATION PROPRIETARY TO CONXALL CORPORATION. ANY REPRODUCTION, DISCLOSURE, OR USE OF THIS DOCUMENT / INFORMATION IS EXPRESSLY PROHIBITED UNLESS AUTHORIZED IN WRITING BY CONXALL CORPORATION.

APPROVED BY: _____

DATE: _____

RoHS COMPLIANT

F	SS	06-18-20	CHANGED PACKAGING FROM BAGGED TO BOXED PER ECR 9526
E	MA	10-05-17	TOL ON .131 DIM WAS ±.010, SEPARATED FROM FAMILY DRAWING PER ECR 9032
D	BZ	01-13-09	REMOVED P/N 14282-18PG-300, SEE DRAWING 14282-XPG-300 PER ECR 7330
C	AN	07-30-08	UPDATED DRAWING PER DOR 02-4021KZ
B	RCS	02-25-02	UPDATED DRAWING PER DOR 02-4021KZ
A	LR	09-02-97	DRAWING CREATED PER SALES REQUEST
REV.	INIT.	DATE	DESCRIPTION
	AN	01-30-12	CHANGED PACKAGING FROM BAGGED TO BOXED PER ECR 9526
<p>ALL INFORMATION ILLUSTRATED IS THE PROPERTY OF CONXALL CORPORATION. UNAUTHORIZED DUPLICATION OR DISTRIBUTION OF THIS DOCUMENT IS PROHIBITED.</p> <p>ALL UNITS ARE IN FEET, INCHES, FRACTION OF INCHES AND DECIMALS.</p> <p>UNLESS OTHERWISE SPECIFIED TOLERANCES: 3 PLACE DECIMALS ±.010 ANGLES ±1° FRACTIONS ±1/16</p> <p>— CRITICAL CHARACTERISTIC FLAG PER SPEC. XXXX</p>			
<p>ORIG. DRAWN BY: AN</p> <p>CHECKED BY:</p>		<p>DATE: 01-30-12</p>	
<p>APPROVED BY:</p>		<p>TITLE: PANEL MOUNT ASSEMBLY (18) #20 PIN CONTACT, PC TAIL MAXI-CON-X</p>	
SCALE: NTS	SIZE: B	SHEET: 1 OF 1	CUSTOMER: STANDARD PRODUCT
FILE: 14281-18PG-300	DIRECTORY: SLW	PART NUMBER: 14281-18PG-300	REV: F