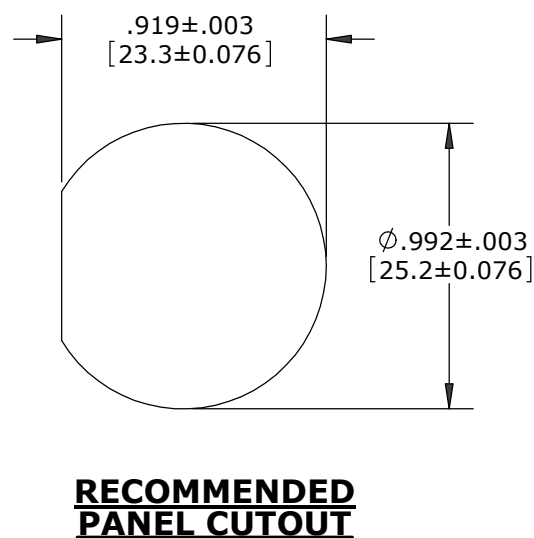
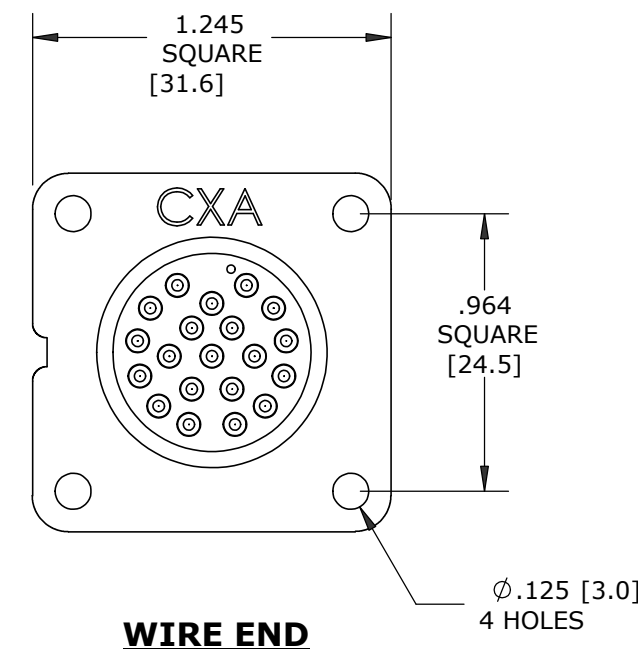
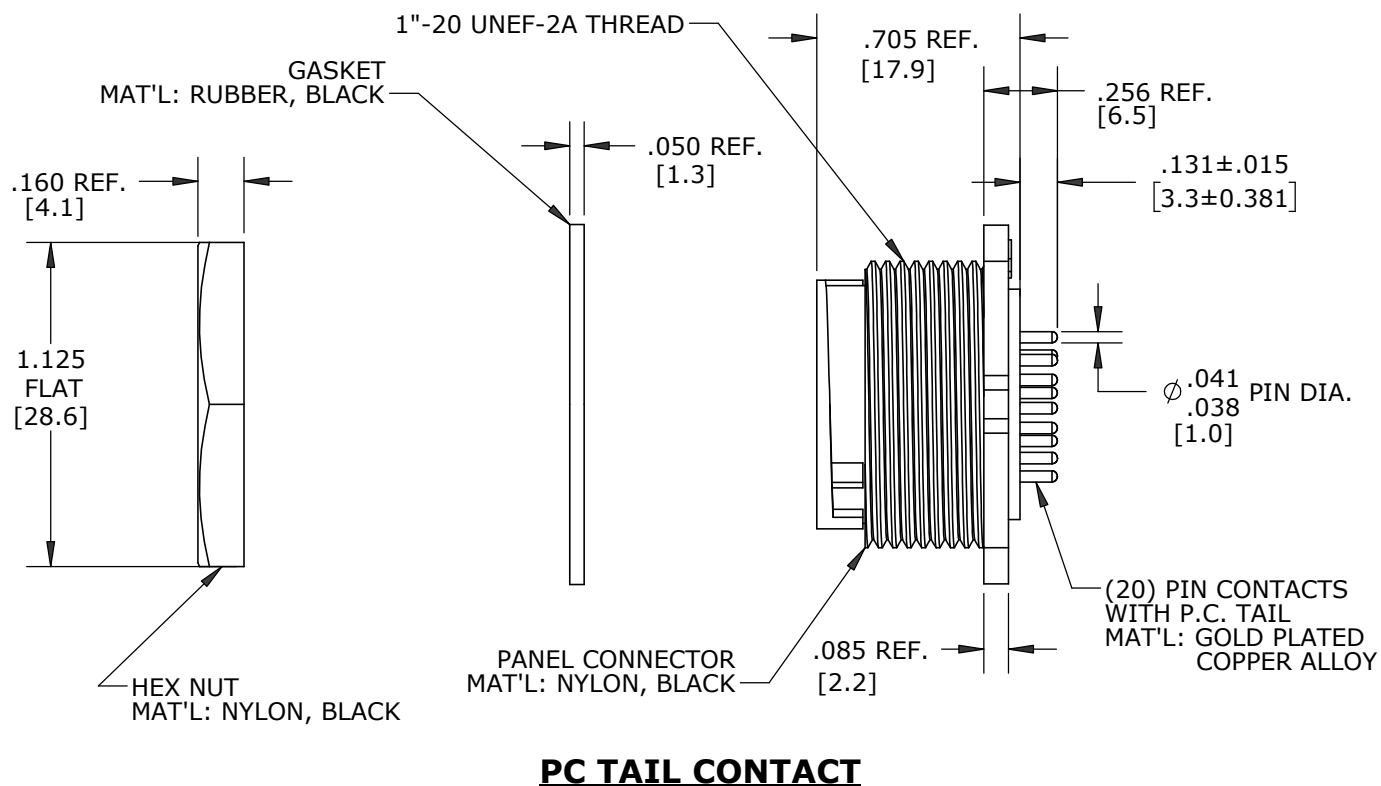
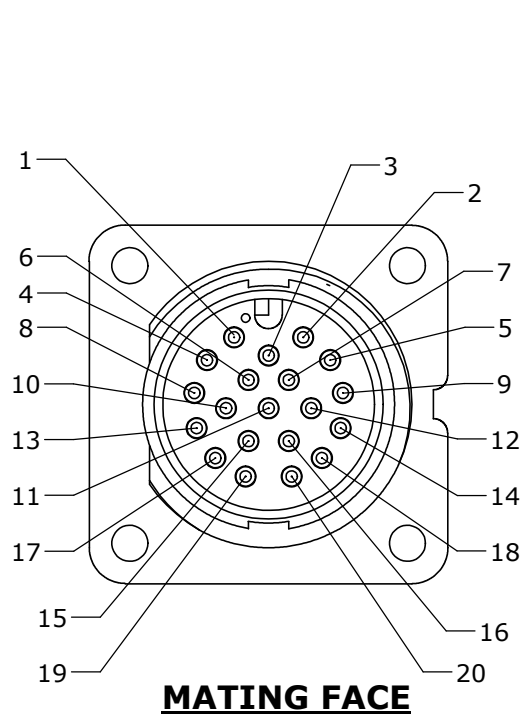


- Ⓜ NOTES:
1. FINISHED PRODUCT TO BE BOXED
GASKETS AND HEX NUTS MAY BE PACKAGED SEPARATELY.
 2. CONTACTS ASSEMBLED INTO CONNECTOR.
 3. ALL DIMENSIONS ARE REFERENCE EXCEPT THOSE WITH A TOLERANCE.
 4. SEE DRAWING HPMXSTD FOR HOLE PATTERN.



| CUSTOMER APPROVAL | |
|---|--------------------|
| THIS DOCUMENT CONTAINS CONFIDENTIAL INFORMATION PROPRIETARY TO CONXALL CORPORATION. ANY REPRODUCTION, DISCLOSURE, OR USE OF THIS DOCUMENT /INFORMATION IS EXPRESSLY PROHIBITED UNLESS AUTHORIZED IN WRITING BY CONXALL CORPORATION. | |
| CHECKED BY: _____ | APPROVED BY: _____ |
| DATE: _____ | |

DIMENSIONS IN BRACKETS [] ARE METRIC

RoHS COMPLIANT

| F | SS | 06-26-20 | CHANGED PACKAGING FROM BAGGED TO BOXED PER ECR 9526 |
|----------------------|----------------|-----------------------------|---|
| E | MA | 10-06-17 | TOLERANCE ON .131 DIM WAS ±.010 PER ECR 9203 |
| D | BZ | 01-13-09 | REMOVED P/N: 14282-20PG-300, SEE DRAWING 14282-XPG-300 PER ECR 7330 |
| C | AN | 07-28-08 | UPDATED PER ECR 6905 |
| B | GMC | 05-22-08 | MODIFIED NOTES 1 & 2 PER ECR 6863 |
| A | RCS | 03-08-02 | DRAWING CREATED PER DOR 02-4021KZ SUPERSEDES SWG. 14281-20PG-300 |
| REV. | INIT. | DATE | DESCRIPTION |
| ORIG. DRAWN BY: RCS | | DATE: 02-20-02 | <p>601 E. WILDWOOD VILLA PARK, IL 60181</p> |
| CHECKED BY: | | | |
| APPROVED BY: | | | TITLE: CONNECTOR ASS'Y KIT |
| SCALE: NTS | SIZE: B | SHEET: 1 OF 1 | CUSTOMER: STANDARD PRODUCT |
| FILE: 14281-20PG-300 | DIRECTORY: SLW | PART NUMBER: 14281-20PG-300 | REV: F |