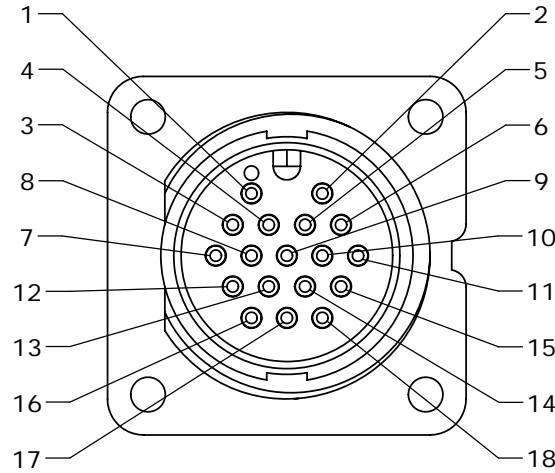
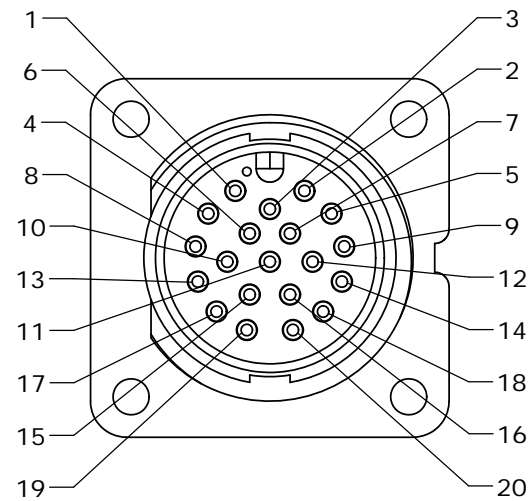


PART NO.	NO. OF CONTACTS	"X" DIM.	"Y" DIM.
14282-18PG-300	18	.695 [17.7mm]	0.124 [3.1mm]
14282-20PG-300	20	.705 [17.9mm]	0.114 [2.9mm]
14282-11PG-300	11	.695 [17.7mm]	0.124 [3.1mm]

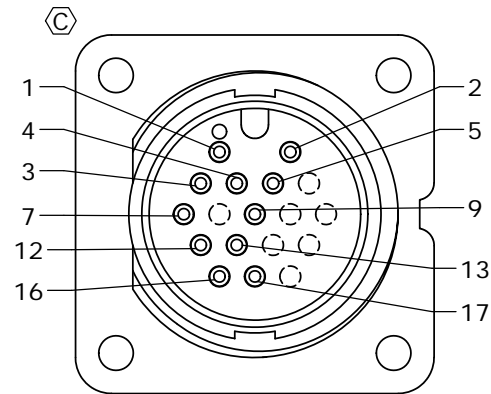
- NOTES:**
1. FINISHED PRODUCT TO BE BULK PACKAGED 100 PCS PER BAG
ALL GASKETS AND HEX NUTS TO BE BULKED PACKED.
 2. CONTACTS TO BE INSERTED INTO CONNECTOR AS SHOWN.
 3. SEE DRAWING HPMXSTD FOR HOLE PATTERN.



FACE VIEW
14282-18PG-300

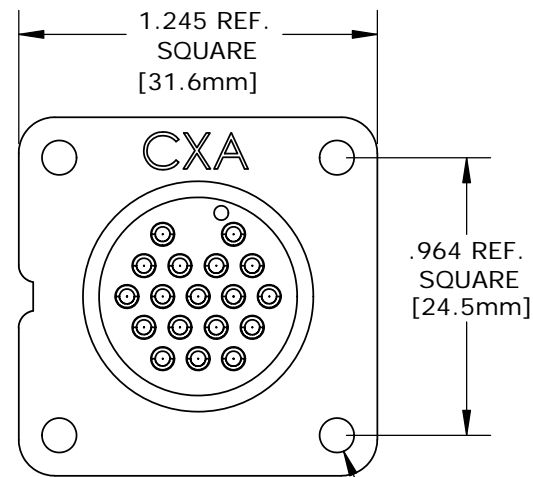
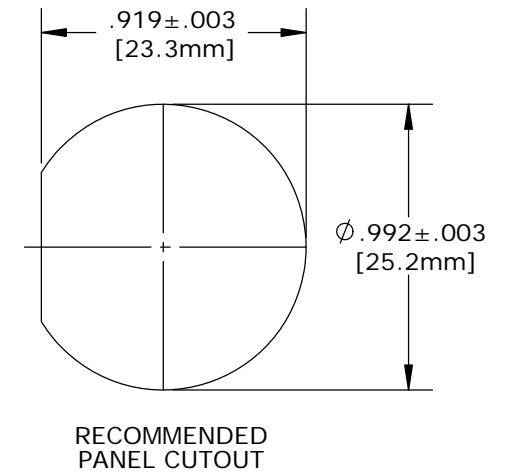
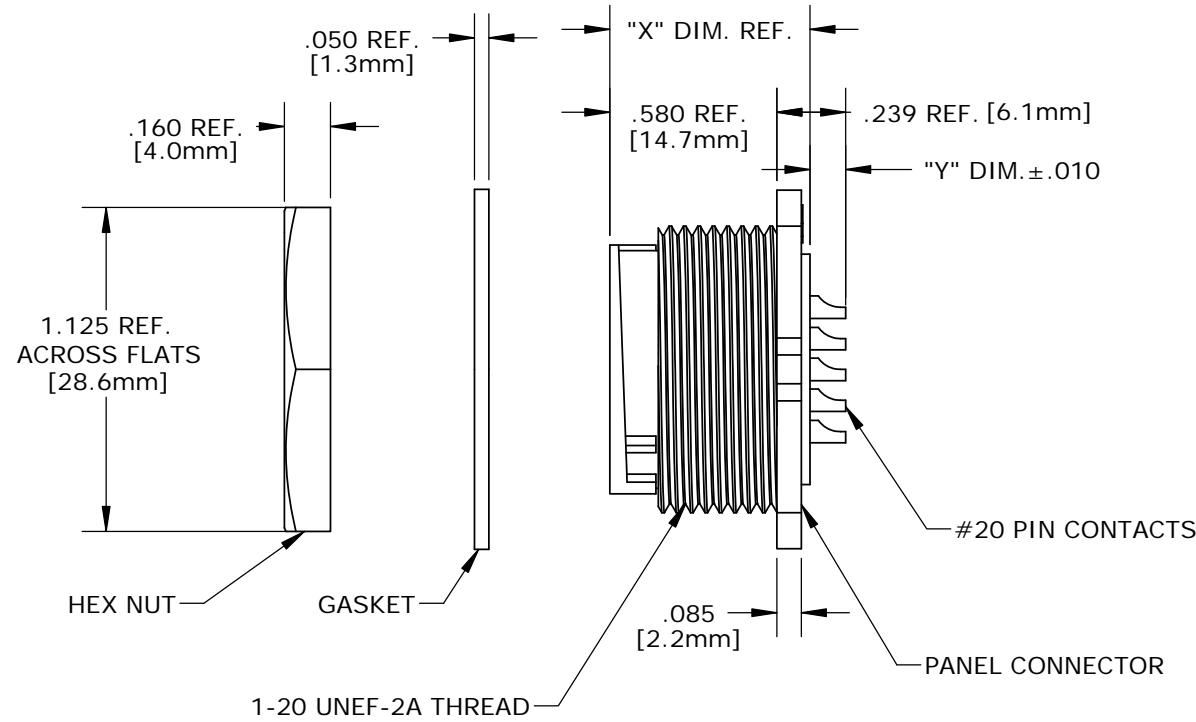


FACE VIEW
14282-20PG-300

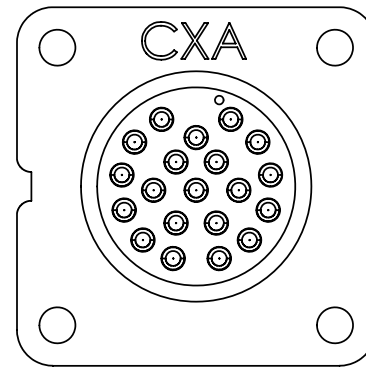


FACE VIEW
14282-11PG-300

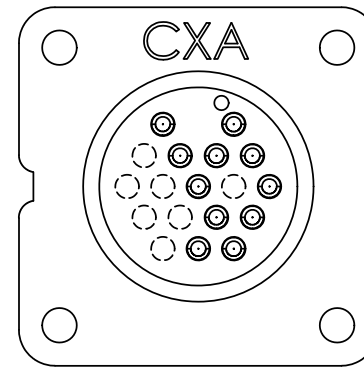
POS. 6,8,10,11,14,15 &18
MOLDED CLOSED



WIRE VIEW
14282-18PG-300



WIRE VIEW
14282-20PG-300



WIRE VIEW
14282-11PG-300

DIMENSIONS IN BRACKETS [] ARE METRIC

RoHS COMPLIANT

CUSTOMER APPROVAL

THIS DOCUMENT CONTAINS CONFIDENTIAL INFORMATION PROPRIETARY TO CONXALL CORPORATION. ANY REPRODUCTION, DISCLOSURE, OR USE OF THIS DOCUMENT /INFORMATION IS EXPRESSLY PROHIBITED UNLESS AUTHORIZED IN WRITING BY CONXALL CORPORATION.

APPROVED BY: _____
 DATE: _____

REV.	INIT.	DATE	DESCRIPTION
C	SS	02-11-19	ADDED 14282-11PG-300 TO THE FAM. DWG. PER DOR 15-E253SL #22
B	JD	10-11-13	UPDATED NOTE #1 TO ADD A BAG FOR PACKAGING
A	BZ	01-14-10	DRAWING CREATED PER ECR 7330

ALL INFORMATION ILLUSTRATED IS THE PROPERTY OF "CONXALL CORPORATION". UNAUTHORIZED DUPLICATION OR DISTRIBUTION OF THIS DOCUMENT IS PROHIBITED.	ORIG. DRAWN BY: BZ DATE: 01-14-10	 601 E. WILDWOOD VILLA PARK, IL 60181
ALL UNITS ARE IN FEET, INCHES, FRACTION OF INCHES AND DECIMALS.	CHECKED BY:	
APPROVED BY:	SCALE: NTS SIZE: B SHEET: 1 OF 1	TITLE: PANEL MOUNT CONNECTOR #20 PIN CONTACTS W/ SOLDER CUP MAXI-CON-X CUSTOMER: STANDARD PRODUCT
FILE: 14282-XXPG-300	DIRECTORY: SLW	PART NUMBER: 14282-XXPG-300

CUSTOMER PRINT

PART NUMBER: 14282-XXPG-300