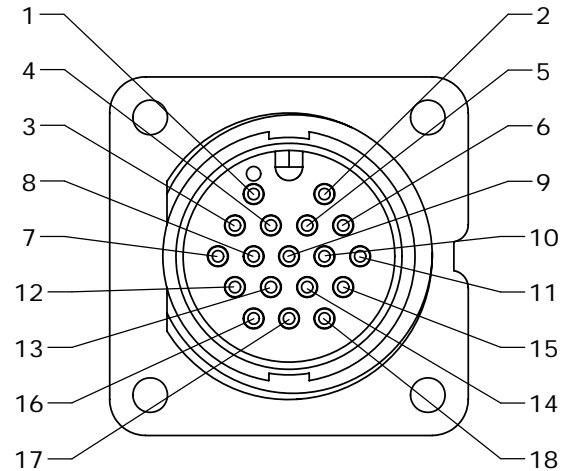


CUSTOMER PRINT

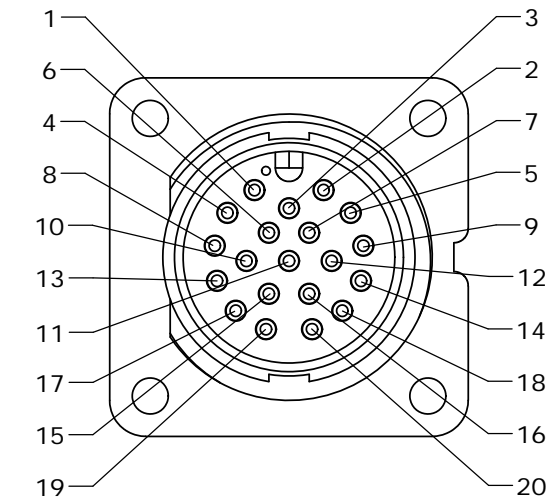
PART NUMBER: 14282-XXPG-3ES

PART NO.	NO. OF CONTACTS	"X" DIM.	"Y" DIM.
14282-18PG-3ES	18	.695 [17.7mm]	0.124 [3.1mm]
14282-20PG-3ES	20	.705 [17.9mm]	0.114 [2.9mm]

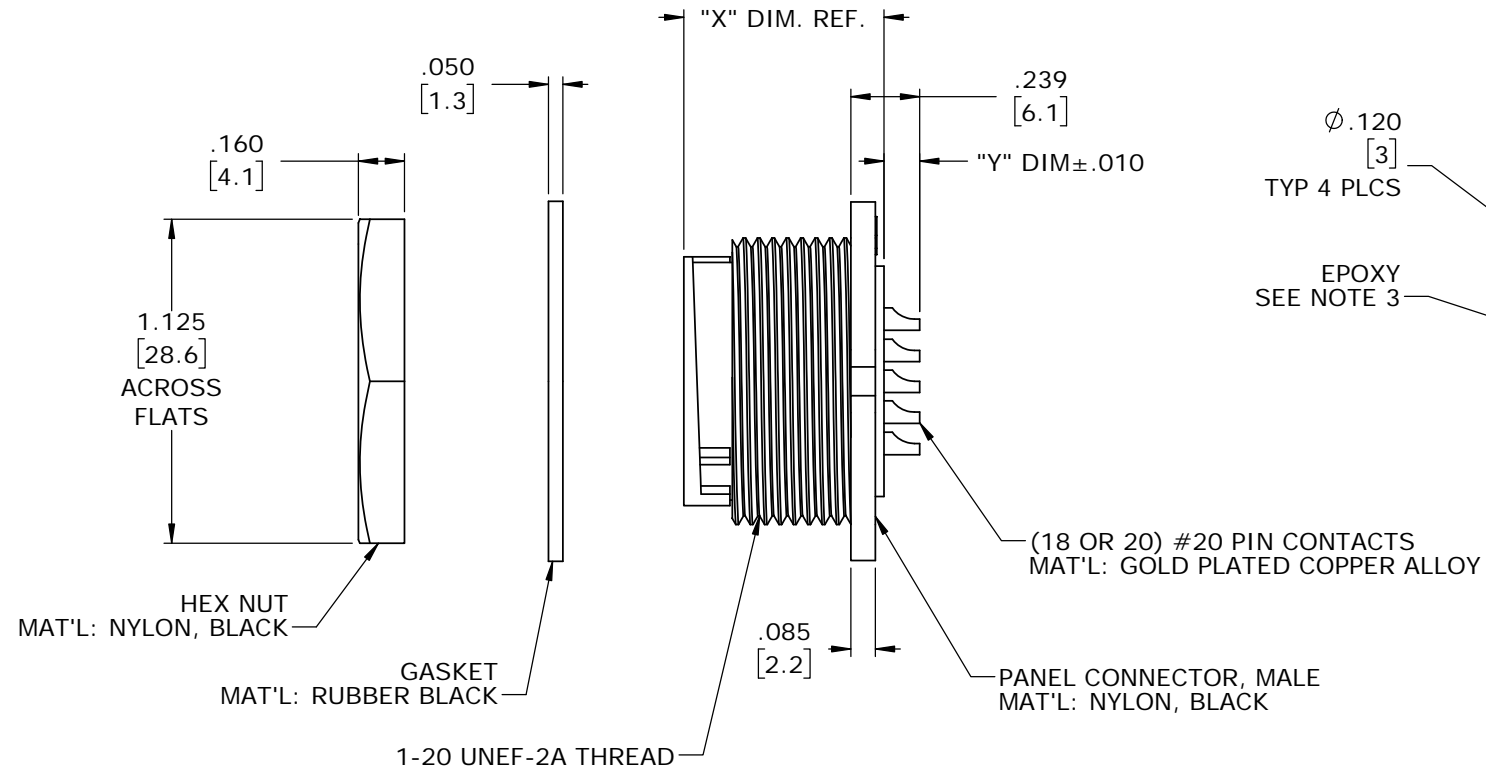
- NOTES:**
1. FINISHED PRODUCT TO BE BULK PACKAGED 100 PCS PER BAG  
ALL GASKETS AND HEX NUTS TO BE BULKED PACKED.
  2. CONTACTS TO BE INSERTED INTO CONNECTOR.
  3. BACK END OF CONNECTOR SEALED WITH BLACK EPOXY.
  4. SEE DRAWING HPMXSTD FOR HOLE PATTERN.
  5. ALL DIMENSIONS ARE REFERENCE EXCEPT THOSE WITH A TOLERANCE.



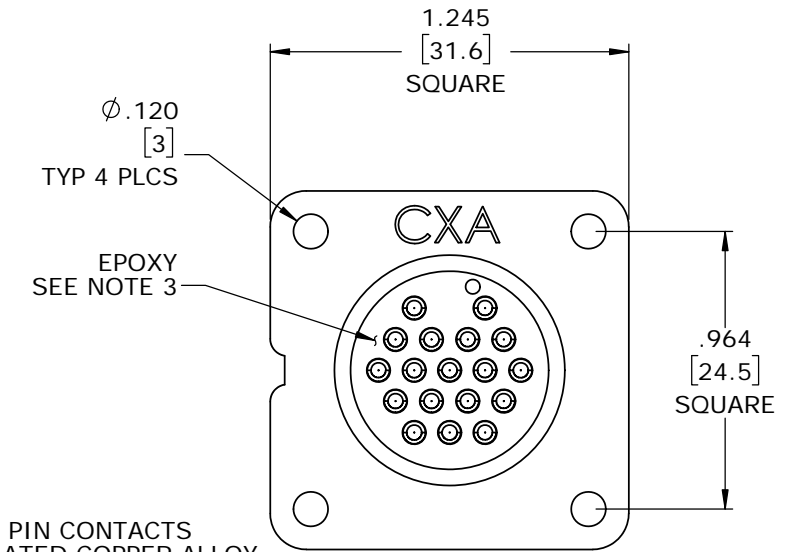
**FACE VIEW**  
14282-18PG-3ES



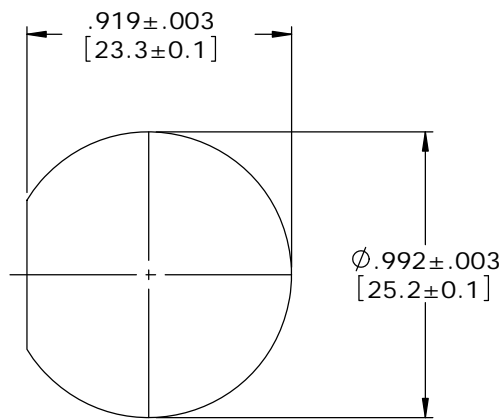
**FACE VIEW**  
14282-20PG-3ES



**WIRE VIEW**  
14282-18PG-3ES



**WIRE VIEW**  
14282-20PG-3ES



**RECOMMENDED  
PANEL CUTOUT**

**CUSTOMER APPROVAL**

THIS DOCUMENT CONTAINS CONFIDENTIAL INFORMATION PROPRIETARY TO CONXALL CORPORATION. ANY REPRODUCTION, DISCLOSURE, OR USE OF THIS DOCUMENT /INFORMATION IS EXPRESSLY PROHIBITED UNLESS AUTHORIZED IN WRITING BY CONXALL CORPORATION.

APPROVED BY: \_\_\_\_\_

DATE: \_\_\_\_\_

**RoHS COMPLIANT**

DIMENSIONS IN BRACKETS [ ] ARE METRIC

A	MA	02-09-18	CREATED DRAWING PER DOR 15-E253SL #20
REV.	INIT.	DATE	DESCRIPTION
	MA	02-09-18	ORIG. DRAWN BY: MA DATE: 02-09-18
ALL INFORMATION ILLUSTRATED IS THE PROPERTY OF CONXALL CORPORATION. UNAUTHORIZED DUPLICATION OR DISTRIBUTION OF THIS DOCUMENT IS PROHIBITED.			<p>601 E. WILDWOOD VILLA PARK, IL 60181</p>
ALL UNITS ARE IN FEET, INCHES, FRACTION OF INCHES AND DECIMALS.			
APPROVED BY:		TITLE: PANEL MOUNT CONNECTOR (18 & 20) #20 PIN CONTACTS W/ SOLDER CUP MAXI-CON-X	
SCALE: NTS	SIZE: B	SHEET: 1 OF 1	CUSTOMER: STANDARD PRODUCT
FILE: 14282-XXPG-3ES	DIRECTORY: SLW	PART NUMBER: 14282-XXPG-3ES	REV: A