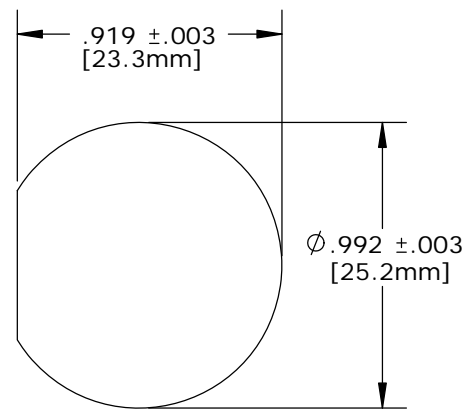
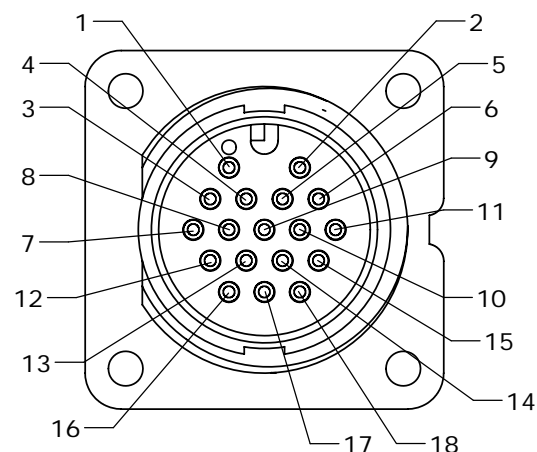


NOTES:

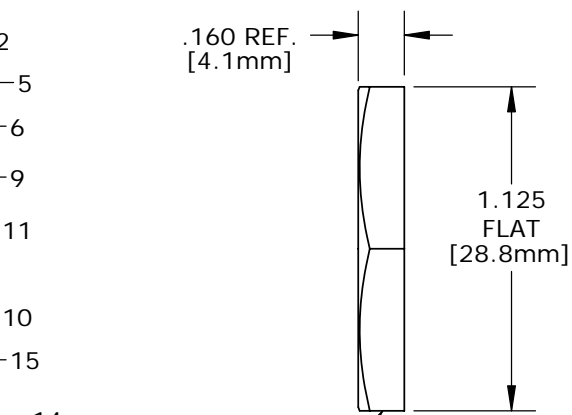
1. FINISHED PRODUCT TO BE BOXED.
GASKETS AND HEX NUTS MAY BE BULK PACKED SEPARATELY.
2. INSTALL CONTACTS INTO CONNECTOR AS SHOWN.
3. SEE DRAWING HPMXSTD FOR HOLE PATTERNS.



RECOMMENDED
PANEL CUTOUT

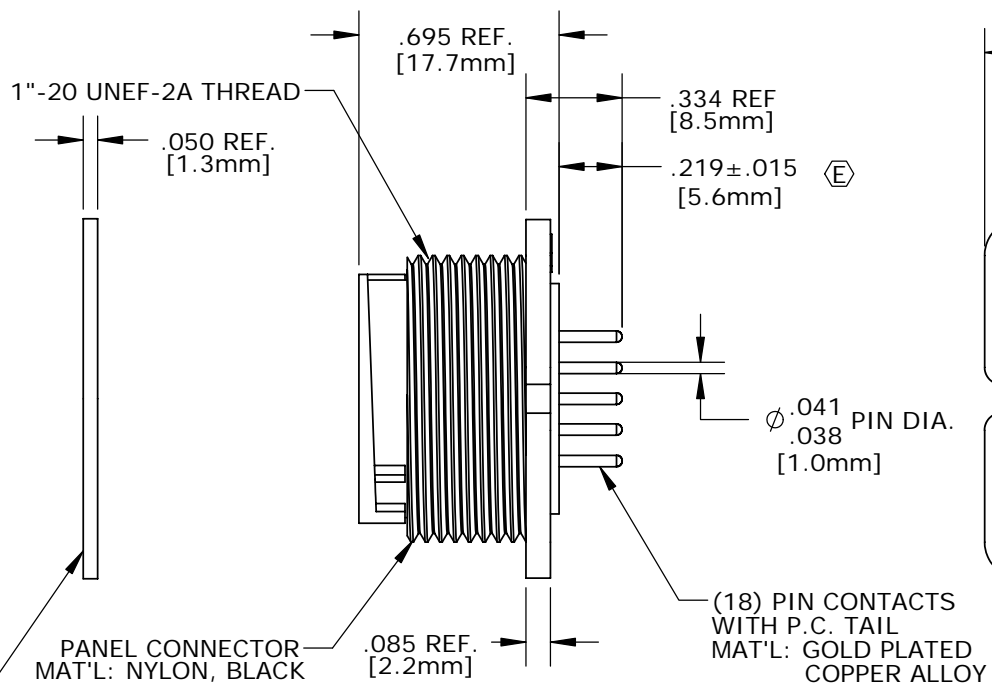


MATING FACE

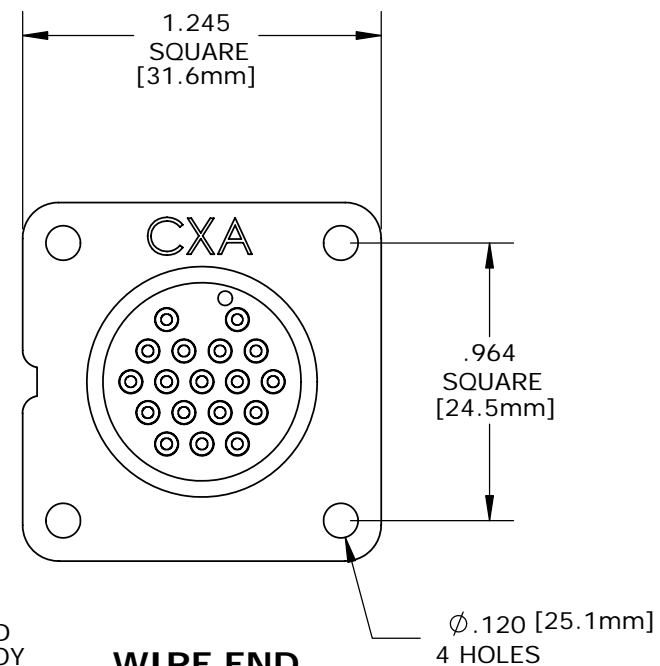


HEX NUT
MAT'L: NYLON, BLACK

GASKET
MAT'L: RUBBER, BLACK



PC TAIL CONTACT



WIRE END

CUSTOMER APPROVAL	
THIS DOCUMENT CONTAINS CONFIDENTIAL INFORMATION PROPRIETARY TO CONXALL CORPORATION. ANY REPRODUCTION, DISCLOSURE, OR USE OF THIS DOCUMENT / INFORMATION IS EXPRESSLY PROHIBITED UNLESS AUTHORIZED IN WRITING BY CONXALL CORPORATION.	
CHECKED BY: _____	APPROVED BY: _____
DATE: _____	

DIMENSIONS IN BRACKETS [] ARE METRIC

RoHS COMPLIANT

E	MA	10-05-17	PKG WAS 100 PC A BAG PER ECR 9203.TOL ON .219 WAS ±.010. SEPARATED DWG FROM FAMILY PER ECR 9032
D	BZ	01-13-09	REMOVED P/N 14282-18PG-300, SEE DRAWING 14282-XPG-300 PER ECR 7330
C	AN	07-30-08	UPDATED PER ECR 6905
B	RCS	02-25-02	UPDATED DRAWING PER DOR 02-4021KZ
A	LR	09-02-97	DRAWING CREATED PER SALES REQUEST
REV.	INIT.	DATE	DESCRIPTION
	LR	09-02-97	ORIG. DRAWN BY: DATE: 09-02-97
			CHECKED BY:
			APPROVED BY:
SCALE: NTS		SIZE: B	SHEET: 1 OF 1
FILE: 14291-18PG-300		DIRECTORY: SLW	
			TITLE: CONNECTOR ASS'Y KIT 18 POLE, PIN MAXI-CON-X STANDARD PRODUCT
			CUSTOMER: STANDARD PRODUCT
			PART NUMBER: 14291-18PG-300
			REV: E



601 E. WILDWOOD VILLA PARK, IL 60181

ALL INFORMATION ILLUSTRATED IS THE PROPERTY OF CONXALL CORPORATION. UNAUTHORIZED DUPLICATION OR DISTRIBUTION OF THIS DOCUMENT IS PROHIBITED.

ALL UNITS ARE IN FEET, INCHES, FRACTION OF INCHES AND DECIMALS.