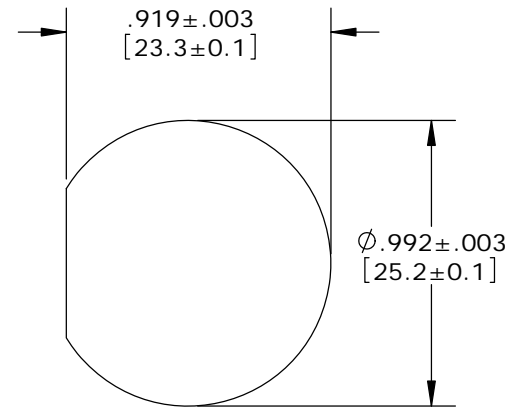
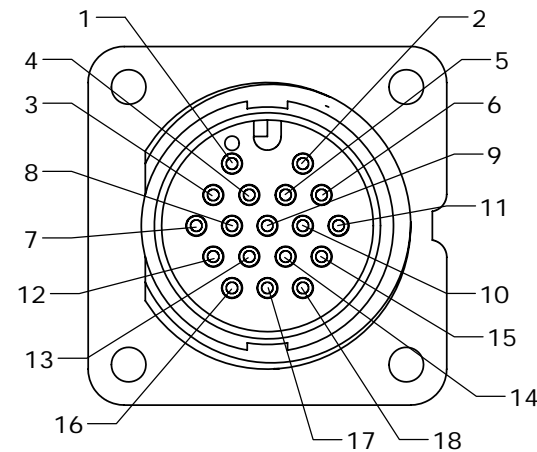


NOTES:

1. FINISHED PRODUCT TO BE BOXED.
GASKETS AND HEX NUTS MAY BE BULK PACKED SEPARATELY.
2. INSTALL CONTACTS INTO CONNECTOR AS SHOWN.
3. REAR WELL FILLED WITH BLACK EPOXY.
4. ALL DIMENSIONS ARE REFERENCE EXCEPT THOSE WITH A TOLERANCE.
5. SEE DRAWING HPMXSTD FOR HOLE PATTERN.

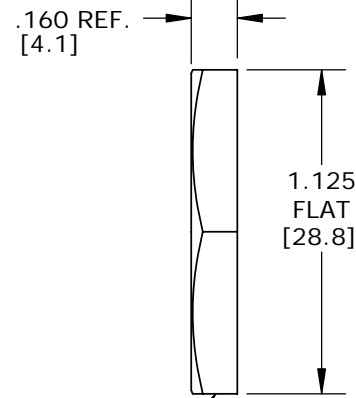


**RECOMMENDED
PANEL CUTOUT**

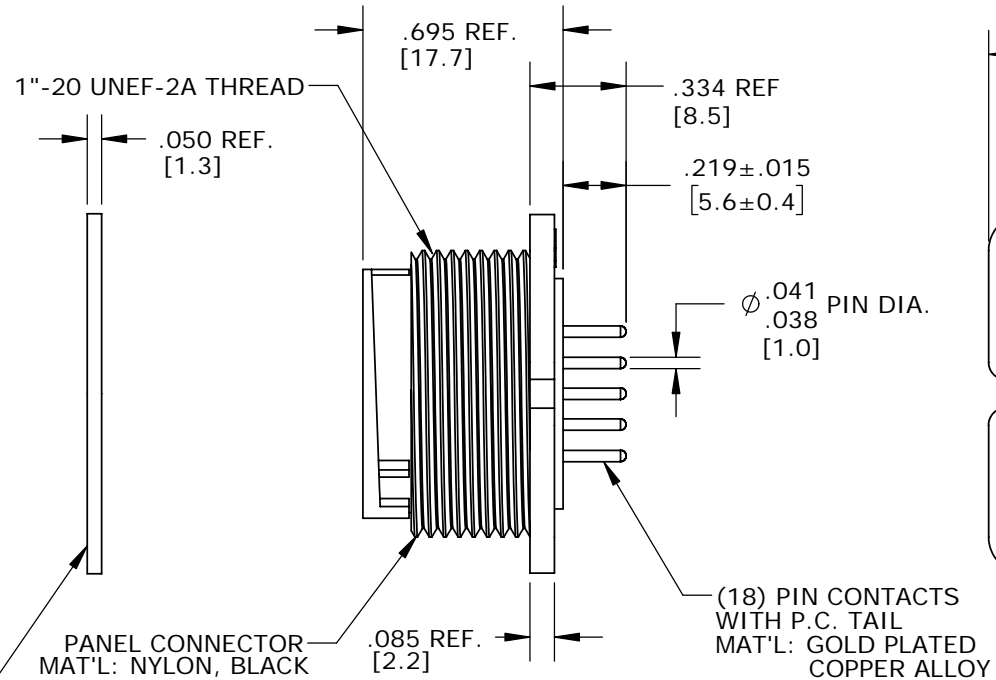


MATING FACE

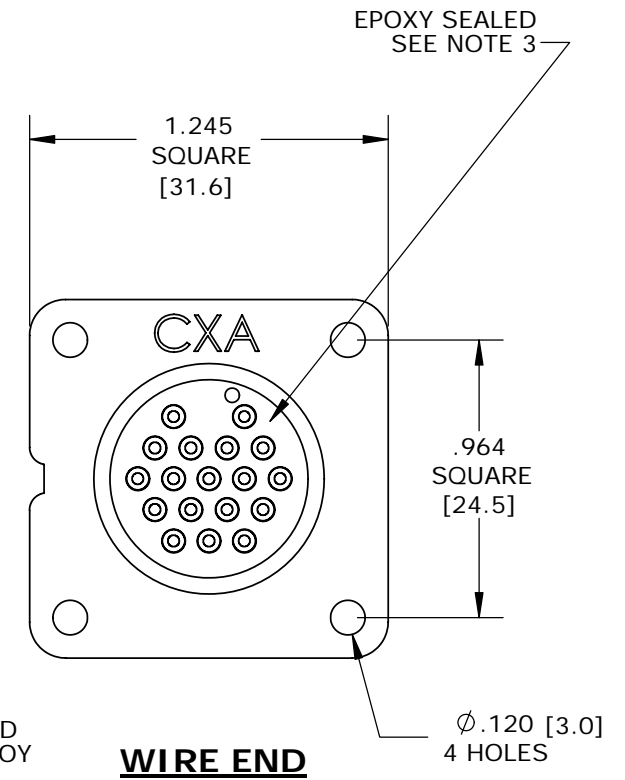
HEX NUT
MAT'L: NYLON, BLACK



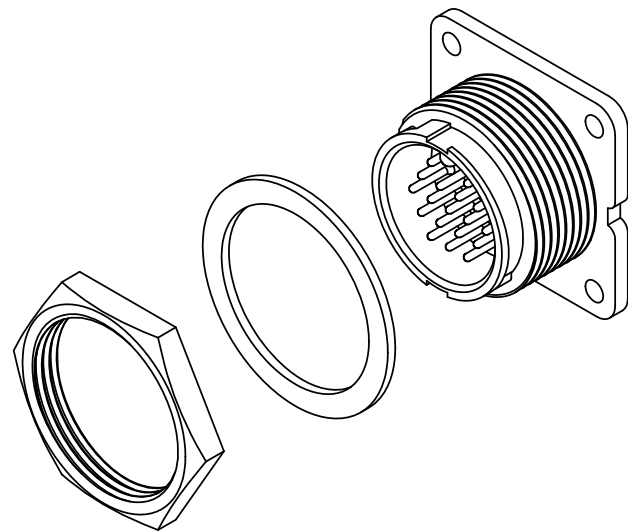
GASKET
MAT'L: RUBBER, BLACK



PC TAIL CONTACT



WIRE END




CUSTOMER APPROVAL

THIS DOCUMENT CONTAINS CONFIDENTIAL INFORMATION PROPRIETARY TO CONXALL CORPORATION. ANY REPRODUCTION, DISCLOSURE, OR USE OF THIS DOCUMENT /INFORMATION IS EXPRESSLY PROHIBITED UNLESS AUTHORIZED IN WRITING BY CONXALL CORPORATION.

CHECKED BY: _____
 APPROVED BY: _____
 DATE: _____

RoHS COMPLIANT

DIMENSIONS IN BRACKETS [] ARE METRIC

A	MA	10-18-17	DRAWING CREATED PER ECR 9203	
REV.	INIT.	DATE	DESCRIPTION	
	MA	10-18-17	ORIG. DRAWN BY: _____ DATE: 10-18-17 CHECKED BY: _____  601 E. WILDWOOD VILLA PARK, IL 60181	
ALL INFORMATION ILLUSTRATED IS THE PROPERTY OF "CONXALL CORPORATION". UNAUTHORIZED DUPLICATION OR DISTRIBUTION OF THIS DOCUMENT IS PROHIBITED.			TITLE: CONNECTOR ASS'Y KIT (18) #20 PIN CONTACTS, P. C. TAIL MAXI-CON-X STANDARD PRODUCT	
ALL UNITS ARE IN FEET, INCHES, FRACTION OF INCHES AND DECIMALS.			CUSTOMER: STANDARD PRODUCT	
APPROVED BY: _____		SCALE: NTS SIZE: B SHEET: 1 OF 1		
FILE: 14291-18PG-3ES	DIRECTORY: SLW	PART NUMBER: 14291-18PG-3ES	REV A	