

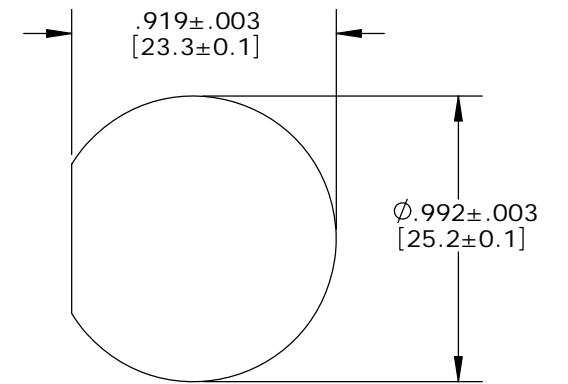
CUSTOMER PRINT

PART NUMBER: 14291-18SG-3ES

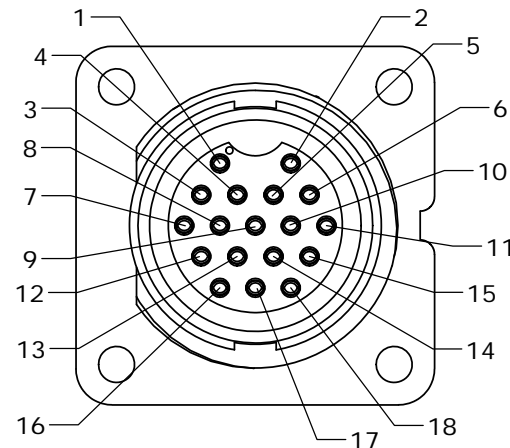
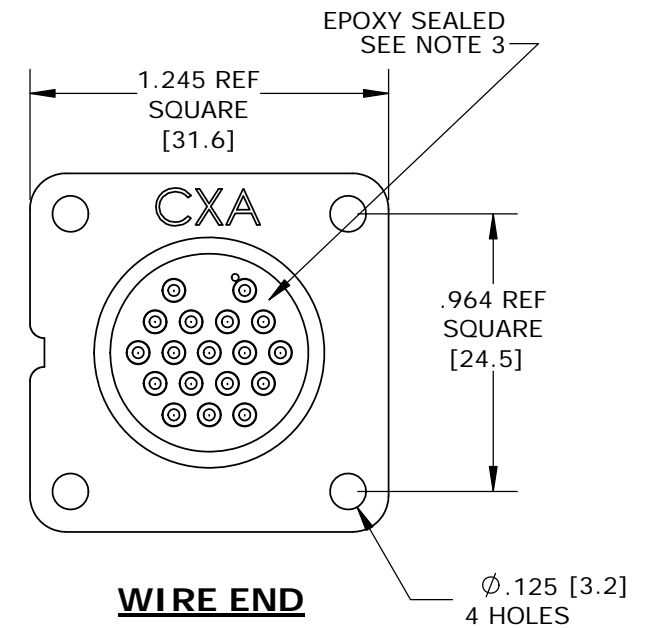
NOTES:

1. FINISHED PRODUCT TO BE BOXED.
GASKETS AND HEX NUTS MAY BE PACKAGED SEPARATELY.
2. INSTALL CONTACTS INTO CONNECTOR AS SHOWN.
3. REAR WELL FILLED WITH BLACK EPOXY.
4. ALL DIMENSIONS ARE REFERENCE EXCEPT THOSE WITH A TOLERANCE.
5. SEE DRAWING HPMXSTD FOR HOLE PATTERN.

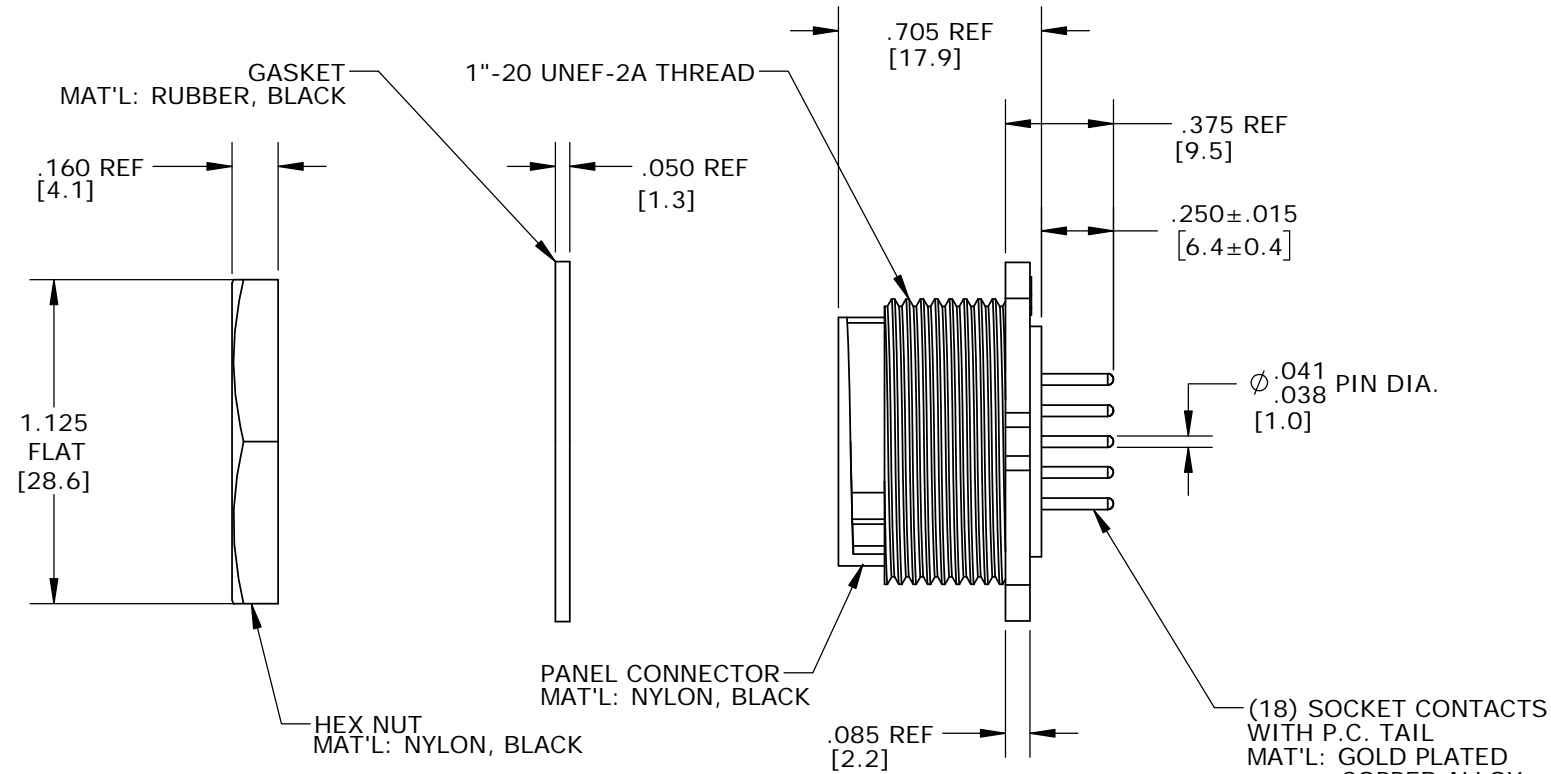
CUSTOMER APPROVAL	
THIS DOCUMENT CONTAINS CONFIDENTIAL INFORMATION PROPRIETARY TO CONXALL CORPORATION. ANY REPRODUCTION, DISCLOSURE, OR USE OF THIS DOCUMENT /INFORMATION IS EXPRESSLY PROHIBITED UNLESS AUTHORIZED IN WRITING BY CONXALL CORPORATION.	
CHECKED BY:	_____
APPROVED BY:	_____
DATE:	_____



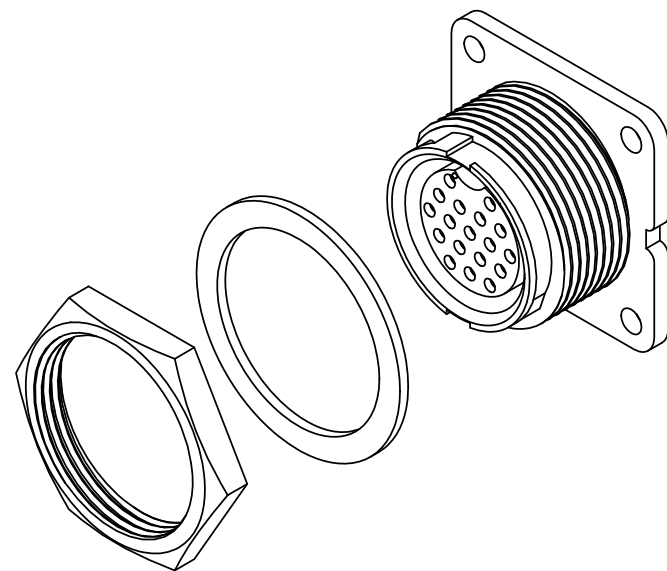
RECOMMENDED PANEL CUTOUT



MATING FACE



PC TAIL CONTACT



DIMENSIONS IN BRACKETS [] ARE METRIC

RoHS COMPLIANT

A	MA	10-10-17	DRAWING CREATED PER ECR 9203	
REV.	INIT.	DATE	DESCRIPTION	
	MA	10-10-17	ORIG. DRAWN BY: MA DATE: 10-10-17 CHECKED BY: APPROVED BY:	
ALL INFORMATION ILLUSTRATED IS THE PROPERTY OF "CONXALL CORPORATION". UNAUTHORIZED DUPLICATION OR DISTRIBUTION OF THIS DOCUMENT IS PROHIBITED.			<p>601 E. WILDWOOD VILLA PARK, IL 60181</p>	
ALL UNITS ARE IN FEET, INCHES, FRACTION OF INCHES AND DECIMALS.				
SCALE: NTS		SIZE: B	SHEET: 1 OF 1	TITLE: CONNECTOR ASS'Y KIT (18) #20 SOCKET CONTACTS, P.C. TAIL MAXI-CON-X
FILE: 14291-18SG-3ES		DIRECTORY: SLW	PART NUMBER: 14291-18SG-3ES	CUSTOMER: STANDARD PRODUCT
				REV: A