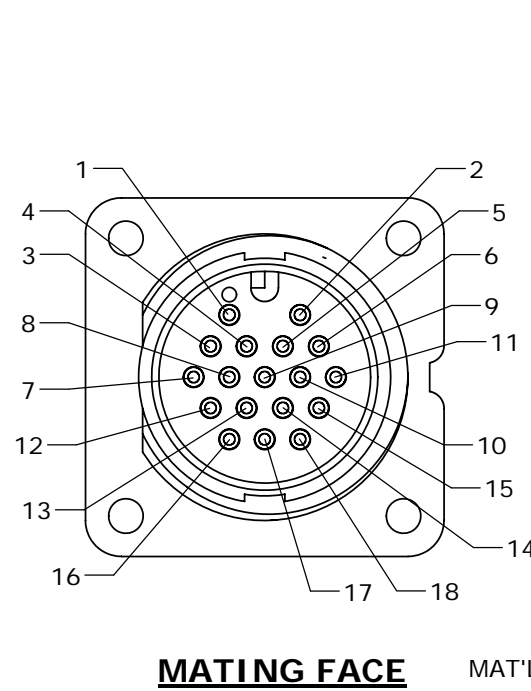
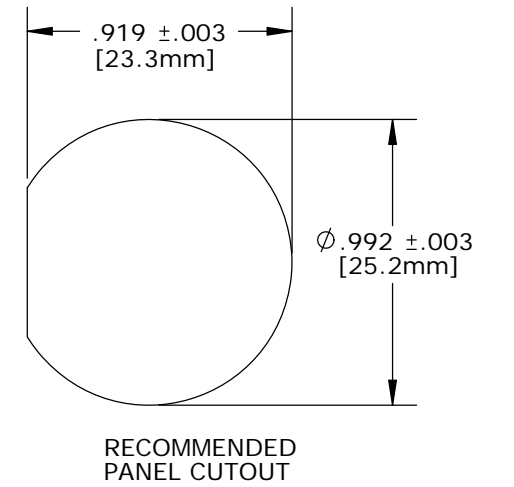
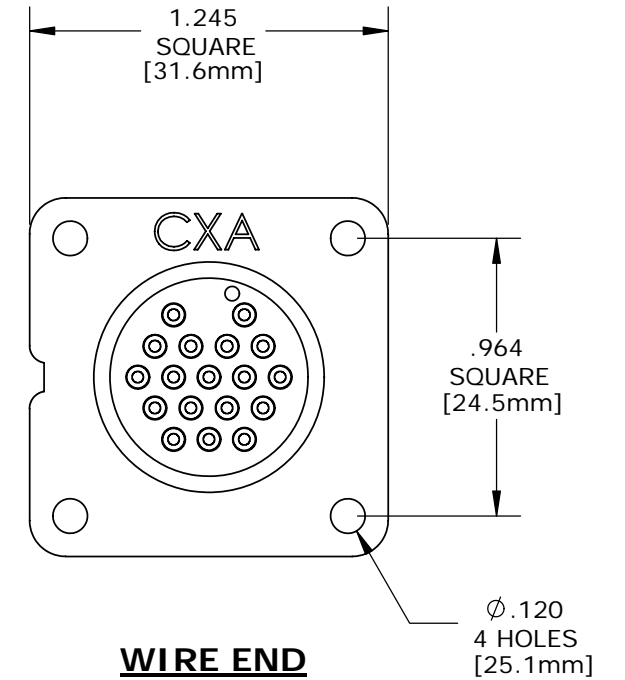
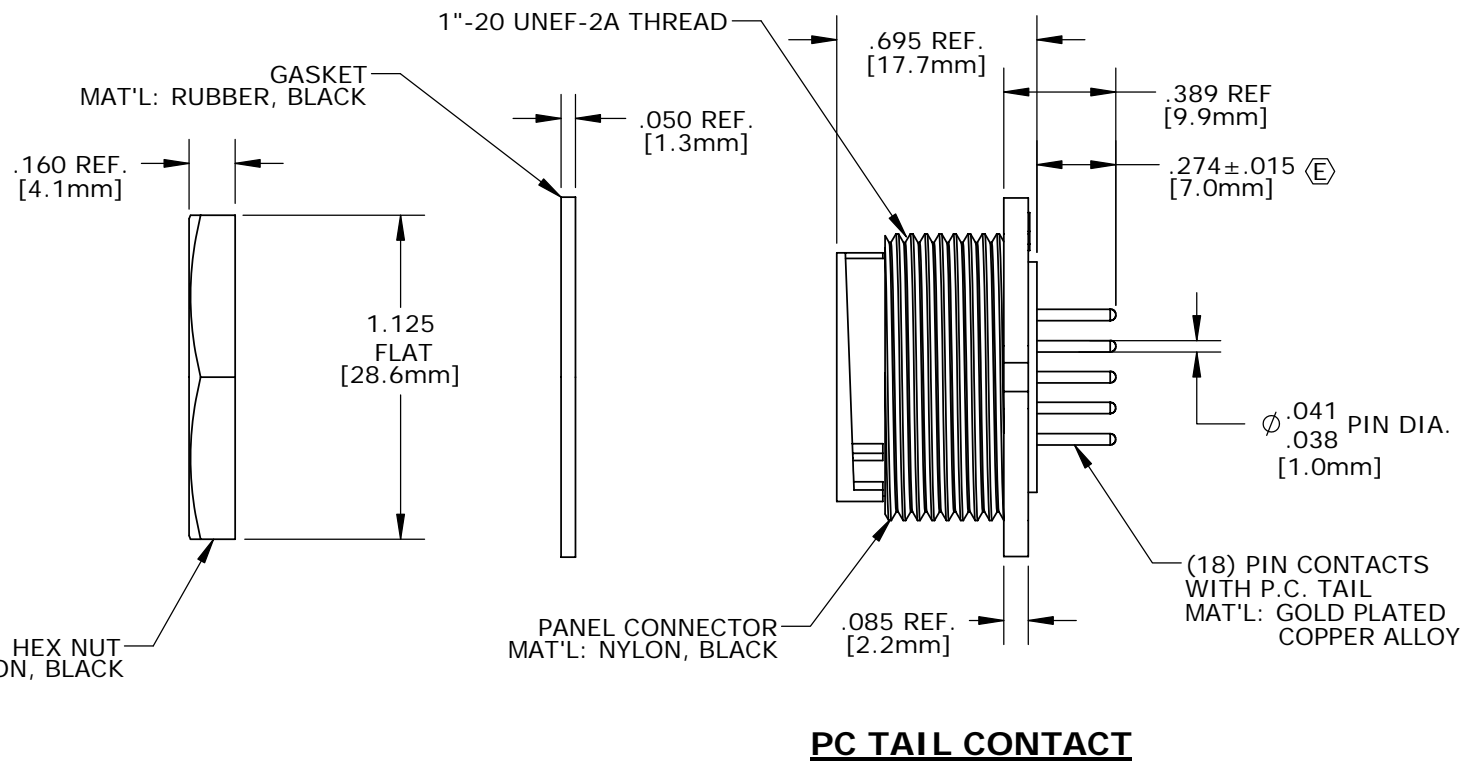


NOTES:

- 1. FINISHED PRODUCT TO BE BOXED.
- 2. GASKETS AND HEX NUTS MAY BE BULK PACKED SEPARATELY.
- 3. INSTALL CONTACTS INTO CONNECTOR AS SHOWN.
- 4. SEE DRAWING HPMXSTD FOR HOLE PATTERNS.



HEX NUT
MAT'L: NYLON, BLACK



CUSTOMER APPROVAL	
THIS DOCUMENT CONTAINS CONFIDENTIAL INFORMATION PROPRIETARY TO CONXALL CORPORATION. ANY REPRODUCTION, DISCLOSURE, OR USE OF THIS DOCUMENT / INFORMATION IS EXPRESSLY PROHIBITED UNLESS AUTHORIZED IN WRITING BY CONXALL CORPORATION.	
CHECKED BY: _____	APPROVED BY: _____
DATE: _____	

DIMENSIONS IN BRACKETS [] ARE METRIC

RoHS COMPLIANT

E	MA	10-05-17	PKG WAS 100 PCS A BAG PER ECR 9203. TOL ON .274 DIM WAS ±.010, SEPARATED FROM FAM DWG PER ECR 9032
D	BZ	01-13-09	REMOVED P/N 14282-18PG-300, SEE DRAWING 14282-XPG-300 PER ECR 7330
C	AN	07-30-08	UPDATED PER ECR 6905
B	RCS	02-25-02	UPDATED DRAWING PER DOR 02-4021KZ
A	LR	09-02-97	DRAWING CREATED PER SALES REQUEST
REV.	INIT.	DATE	DESCRIPTION
<small>ALL INFORMATION ILLUSTRATED IS THE PROPERTY OF "CONXALL CORPORATION." UNAUTHORIZED DUPLICATION OR DISTRIBUTION OF THIS DOCUMENT IS PROHIBITED.</small>			ORIG. DRAWN BY: LR DATE: 09-02-97 CHECKED BY: _____
<small>ALL UNITS ARE IN FEET, INCHES, FRACTION OF INCHES AND DECIMALS.</small>			APPROVED BY: _____ TITLE: CONXALL 601 E. WILDWOOD VILLA PARK, IL 60181
SCALE	SIZE	SHEET	CUSTOMER: STANDARD PRODUCT PART NUMBER: 14292-18PG-300
NTS	B	1 OF 1	
FILE:	DIRECTORY:	PART NUMBER:	REV
14292-18PG-300	SLW	14292-18PG-300	E