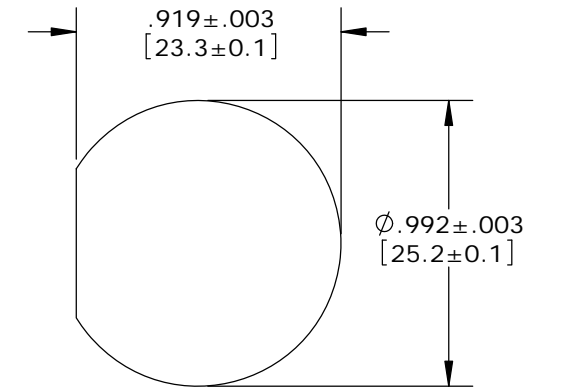
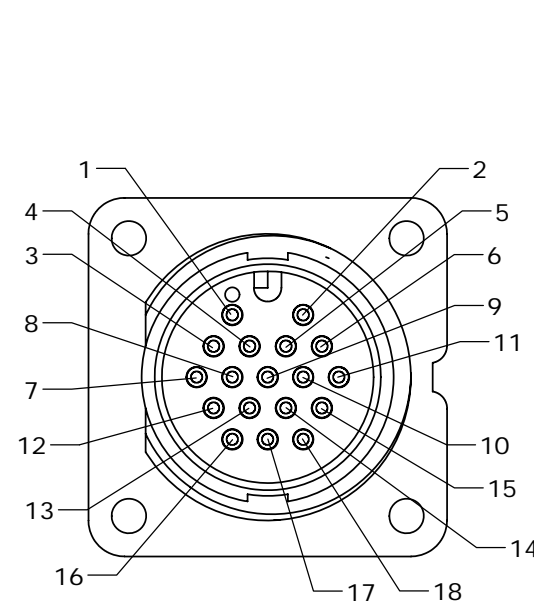


NOTES:

1. FINISHED PRODUCT TO BE BOXED.
GASKETS AND HEX NUTS MAY BE BULK PACKED SEPARATELY.
2. INSTALL CONTACTS INTO CONNECTOR AS SHOWN.
3. REAR WELL FILLED WITH BLACK EPOXY.
4. ALL DIMENSIONS ARE REFERENCE EXCEPT THOSE WITH A TOLERANCE
5. SEE DRAWING HPMXSTD FOR HOLE PATTERN.

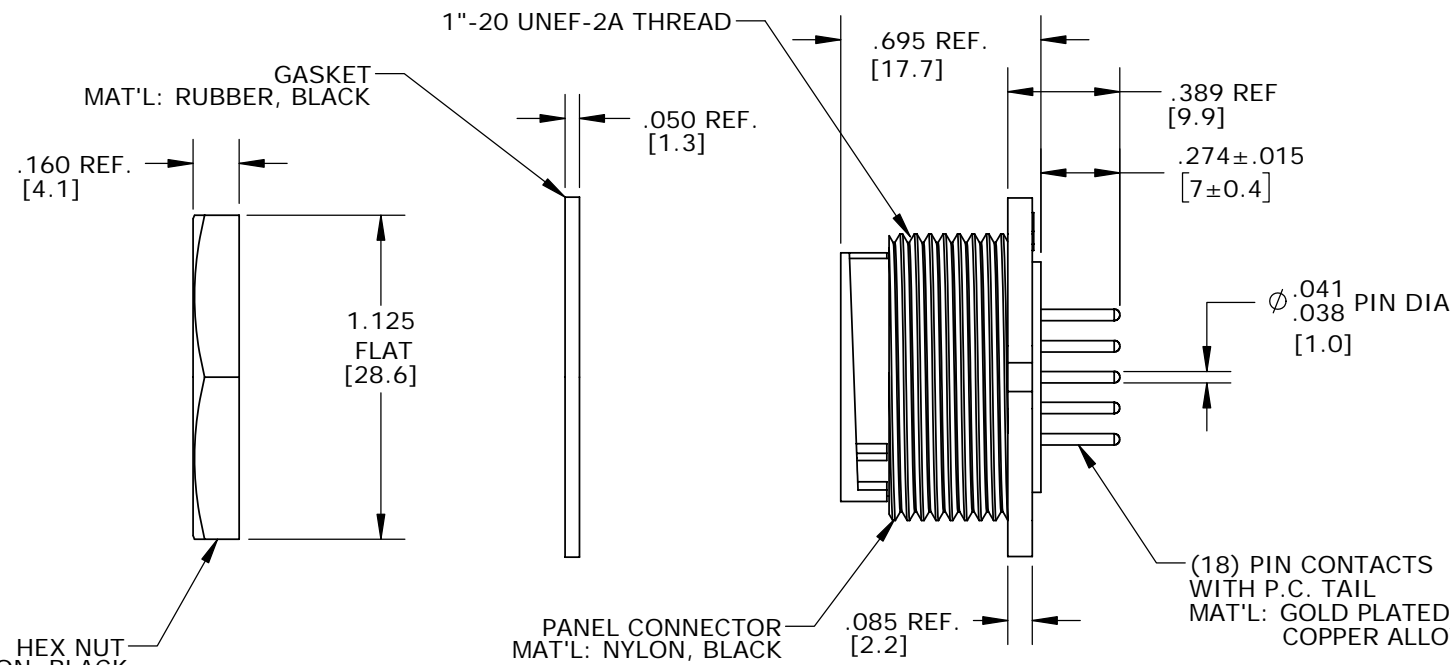


**RECOMMENDED
PANEL CUTOUT**

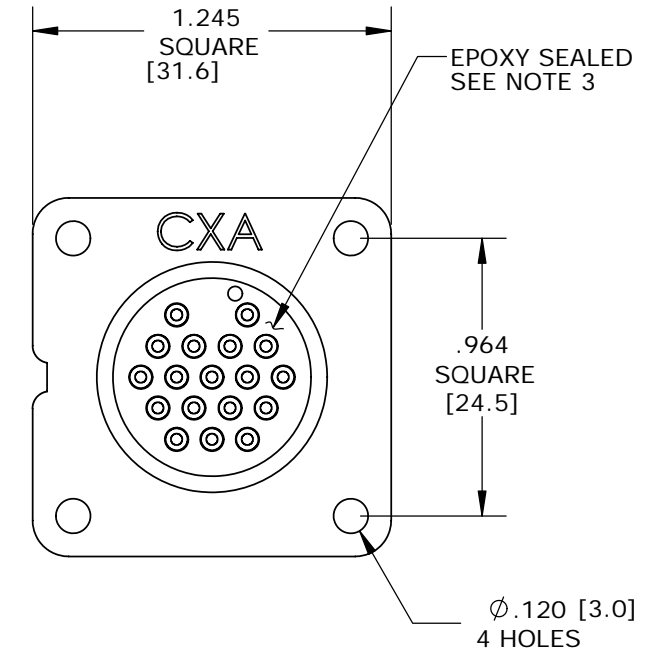


MATING FACE

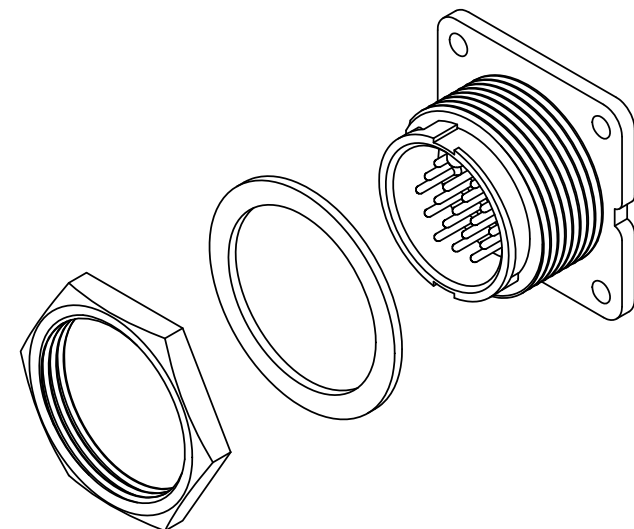
MAT'L: NYLON, BLACK



PC TAIL CONTACT



WIRE END



CUSTOMER APPROVAL	
THIS DOCUMENT CONTAINS CONFIDENTIAL INFORMATION PROPRIETARY TO CONXALL CORPORATION. ANY REPRODUCTION, DISCLOSURE, OR USE OF THIS DOCUMENT /INFORMATION IS EXPRESSLY PROHIBITED UNLESS AUTHORIZED IN WRITING BY CONXALL CORPORATION.	
CHECKED BY: _____	DATE: _____
APPROVED BY: _____	

RoHS COMPLIANT

DIMENSIONS IN BRACKETS [] ARE METRIC

A	MA	10-18-17	DRAWING CREATED PER ECR 9203	
REV.	INIT.	DATE	DESCRIPTION	
	MA	10-18-17	ORIG. DRAWN BY: MA DATE: 10-18-17 CHECKED BY: APPROVED BY:	
ALL INFORMATION ILLUSTRATED IS THE PROPERTY OF "CONXALL CORPORATION". UNAUTHORIZED DUPLICATION OR DISTRIBUTION OF THIS DOCUMENT IS PROHIBITED.			601 E. WILDWOOD VILLA PARK, IL 60181	
ALL UNITS ARE IN FEET, INCHES, FRACTION OF INCHES AND DECIMALS.				
SCALE	SIZE	SHEET	TITLE:	
NTS	B	1 OF 1	CONNECTOR ASS'Y KIT (18) #20 PIN CONTACTS, P. C. TAIL MAXI-CON-X	
FILE:	DIRECTORY:	PART NUMBER:	CUSTOMER: STANDARD PRODUCT	
14292-18PG-3ES	SLW	14292-18PG-3ES		
				REV A