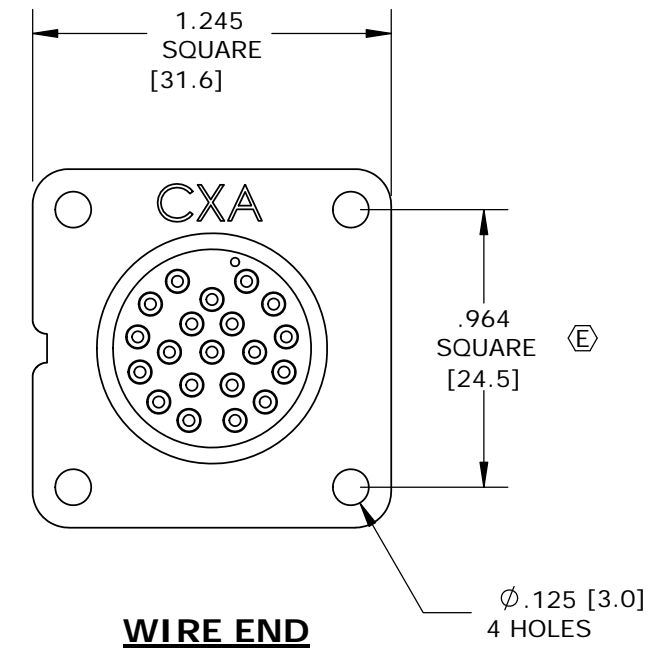
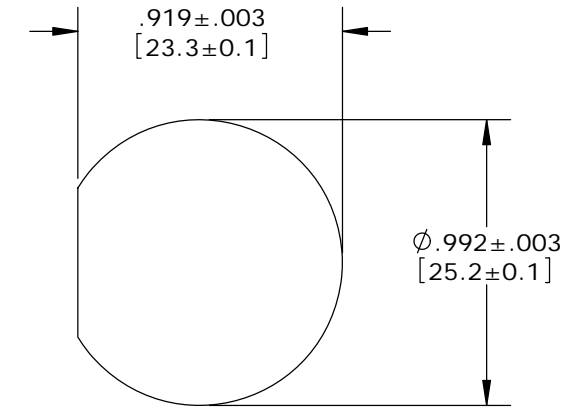
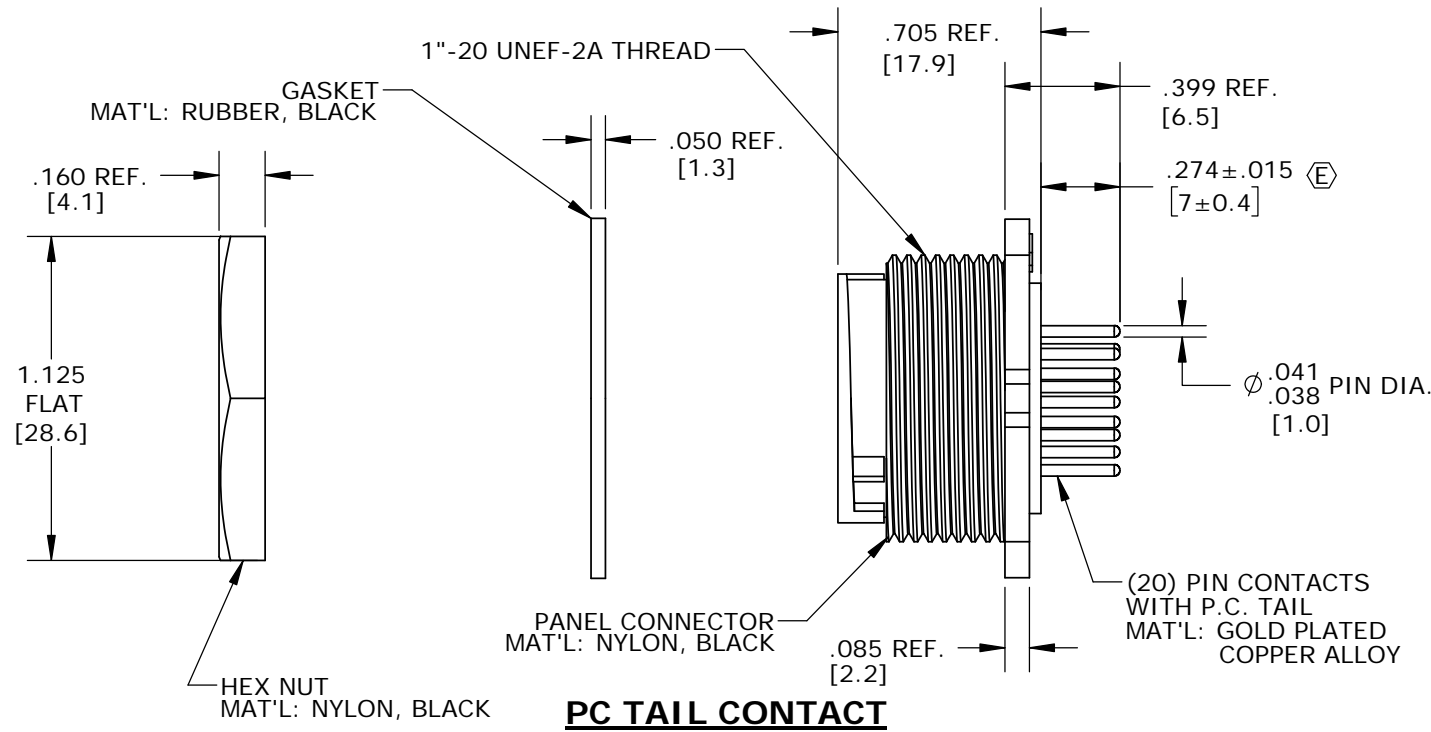
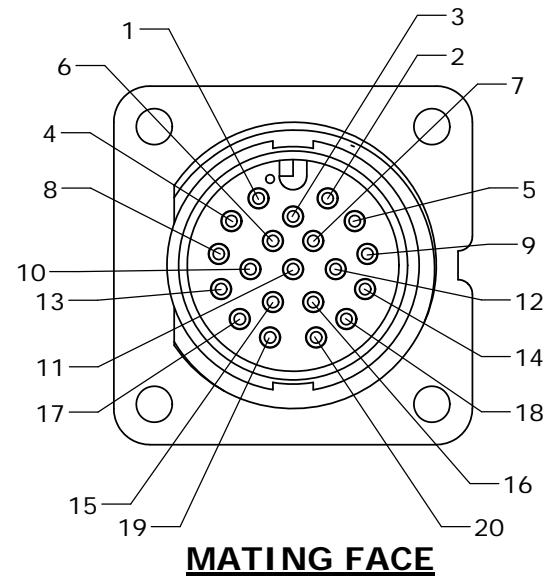


NOTES:

1. FINISHED PRODUCT TO BE BOXED
GASKETS AND HEX NUTS MAY BE PACKAGED SEPARATELY.
2. INSTALL CONTACTS INTO CONNECTOR AS SHOWN.
3. ALL DIMENSIONS ARE REFERENCE EXCEPT THOSE WITH A TOLERANCE.
4. SEE DRAWING HPMXSTD FOR HOLE PATTERN.



CUSTOMER APPROVAL	
THIS DOCUMENT CONTAINS CONFIDENTIAL INFORMATION PROPRIETARY TO CONXALL CORPORATION. ANY REPRODUCTION, DISCLOSURE, OR USE OF THIS DOCUMENT /INFORMATION IS EXPRESSLY PROHIBITED UNLESS AUTHORIZED IN WRITING BY CONXALL CORPORATION.	
CHECKED BY: _____	APPROVED BY: _____
DATE: _____	

DIMENSIONS IN BRACKETS [] ARE METRIC

RoHS COMPLIANT

E	MA	10-06-17	PKG WAS 100 PCS A BAG, TOL ON .274 DIM WAS ±.010, MTG HOLES WERE Ø.120, SEPARATED FROM FAM DWG PER ECR 9203
D	BZ	01-13-09	REMOVED P/N: 14282-20PG-300, SEE DRAWING 14282-XPG-300 PER ECR 7330
C	AN	07-28-08	UPDATED PER ECR 6905
B	GMC	05-22-08	MODIFIED NOTES 1 & 2 PER ECR 6863
A	RCS	03-08-02	DRAWING CREATED PER DOR 02-4021KZ SUPERSEDES SWG. 14281-20PG-300
REV.	INIT.	DATE	DESCRIPTION
ALL INFORMATION ILLUSTRATED IS THE PROPERTY OF "CONXALL CORPORATION". UNAUTHORIZED DUPLICATION OR DISTRIBUTION OF THIS DOCUMENT IS PROHIBITED.			ORIG. DRAWN BY: RCS DATE: 02-20-02 CHECKED BY: _____
ALL UNITS ARE IN FEET, INCHES, FRACTION OF INCHES AND DECIMALS.			APPROVED BY: _____ TITLE: CONXALL 601 E. WILDWOOD VILLA PARK, IL 60181
SCALE	SIZE	SHEET	TITLE:
NTS	B	1 OF 1	CONNECTOR ASS'Y KIT
FILE:	DIRECTORY:	PART NUMBER:	CUSTOMER:
14292-20PG-300	SLW	14292-20PG-300	STANDARD PRODUCT
- CRITICAL CHARACTERISTIC FLAG PER SPEC. XXXX			REV E