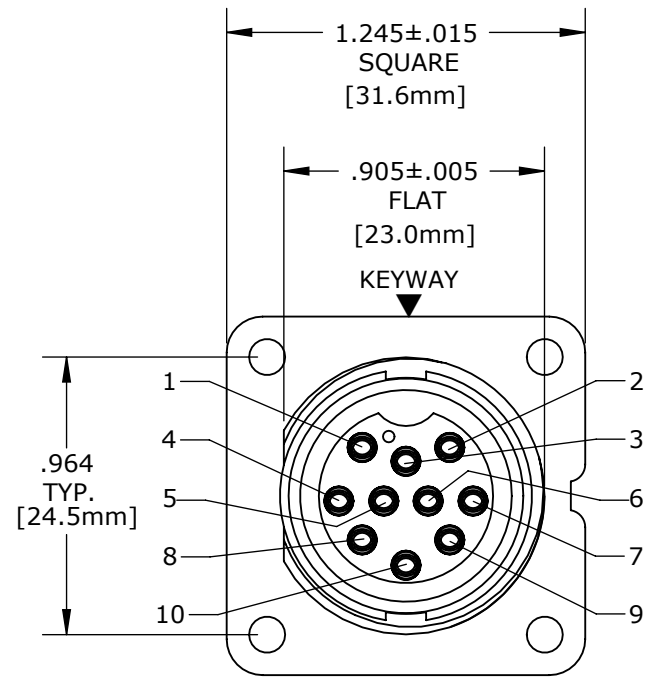
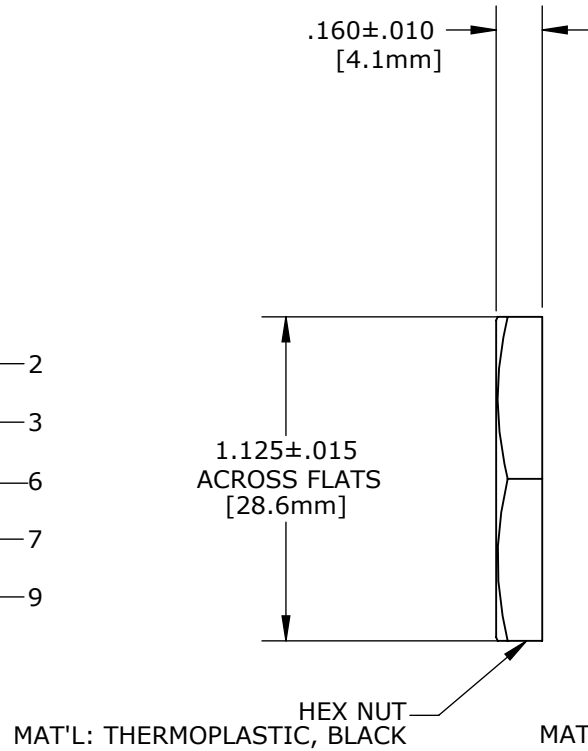


NOTES:
1. PARTS TO BE BULK PACKED

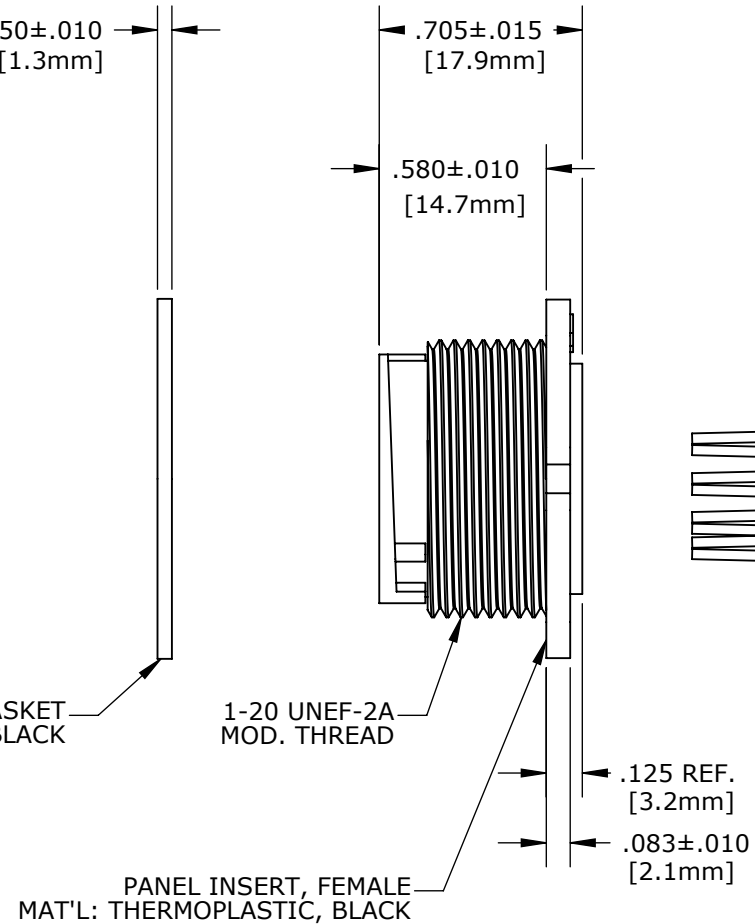


FACE VIEW



HEX NUT
MAT'L: THERMOPLASTIC, BLACK

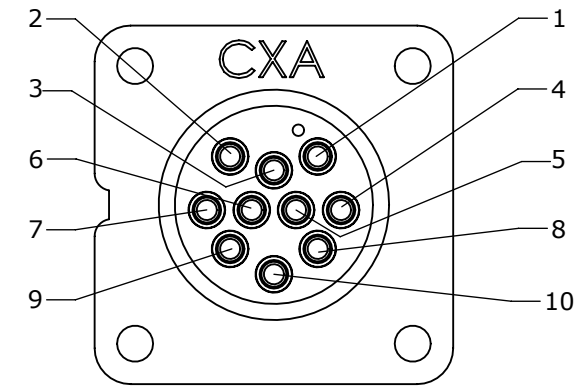
GASKET
MAT'L: RUBBER, BLACK



PANEL INSERT, FEMALE
MAT'L: THERMOPLASTIC, BLACK

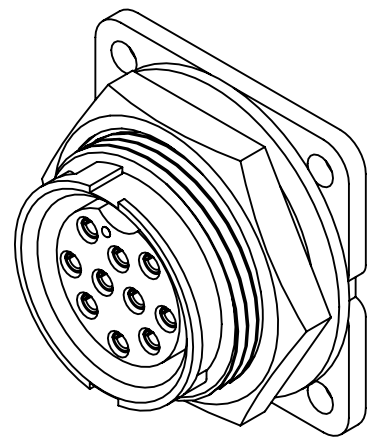
1-20 UNEF-2A
MOD. THREAD

.125 REF.
[3.2mm]
.083±.010
[2.1mm]

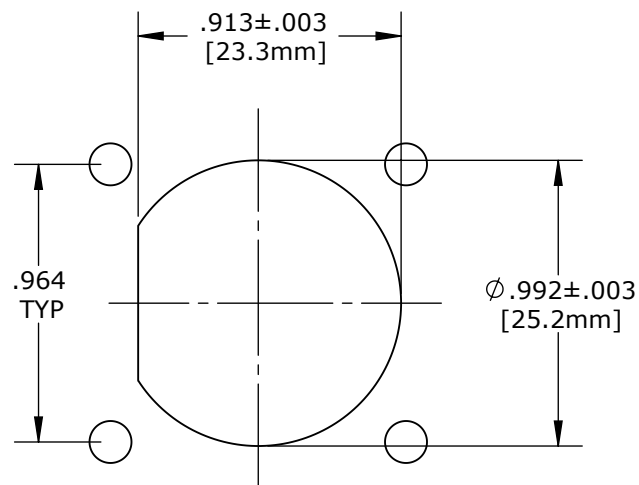


WIRING END

(10) #16 SOCKET CONTACTS
CRIMP
MAT'L: GOLD PLATED COPPER ALLOY



SHOWN ASSEMBLED KIT
FOR CUSTOMER REFERENCE ONLY



**RECOMMENDED
PANEL CUTOUT**

DIMENSIONS IN BRACKETS [] ARE METRIC

CUSTOMER APPROVAL
THIS DOCUMENT CONTAINS CONFIDENTIAL INFORMATION PROPRIETARY TO CONXALL CORPORATION. ANY REPRODUCTION, DISCLOSURE, OR USE OF THIS DOCUMENT / INFORMATION IS EXPRESSLY PROHIBITED UNLESS AUTHORIZED IN WRITING BY CONXALL CORPORATION.
APPROVED BY: _____
DATE: _____

RoHS COMPLIANT

A	PD	09-11-12	DRAWING CREATED PER DOR 12-E149SL #30	
REV.	INIT.	DATE	DESCRIPTION	
	PD	09-11-12	ORIG. DRAWN BY: PD	DATE: 09-11-12
ALL INFORMATION ILLUSTRATED IS THE PROPERTY OF CONXALL CORPORATION. UNAUTHORIZED DUPLICATION OR DISTRIBUTION OF THIS DOCUMENT IS PROHIBITED.			<p>601 E. WILDWOOD VILLA PARK, IL 60181</p>	
ALL UNITS ARE IN FEET, INCHES, FRACTION OF INCHES AND DECIMALS.				
APPROVED BY:			TITLE: PANEL MOUNT ASSEMBLY (10) SOCKET CONTACT, CRIMP MAXI-CON-X	
SCALE: NTS			CUSTOMER: STANDARD PRODUCT	
FILE: 14380-10SG-300			PART NUMBER: 14380-10SG-300	
- CRITICAL CHARACTERISTIC FLAG PER SPEC. XXXX			REV A	