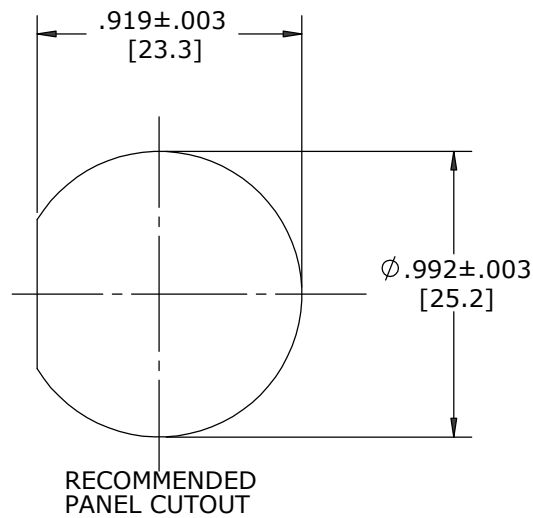
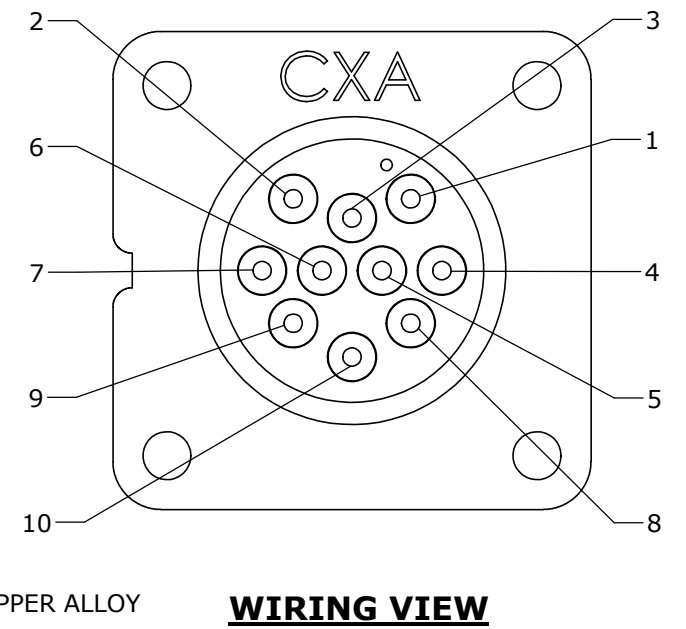
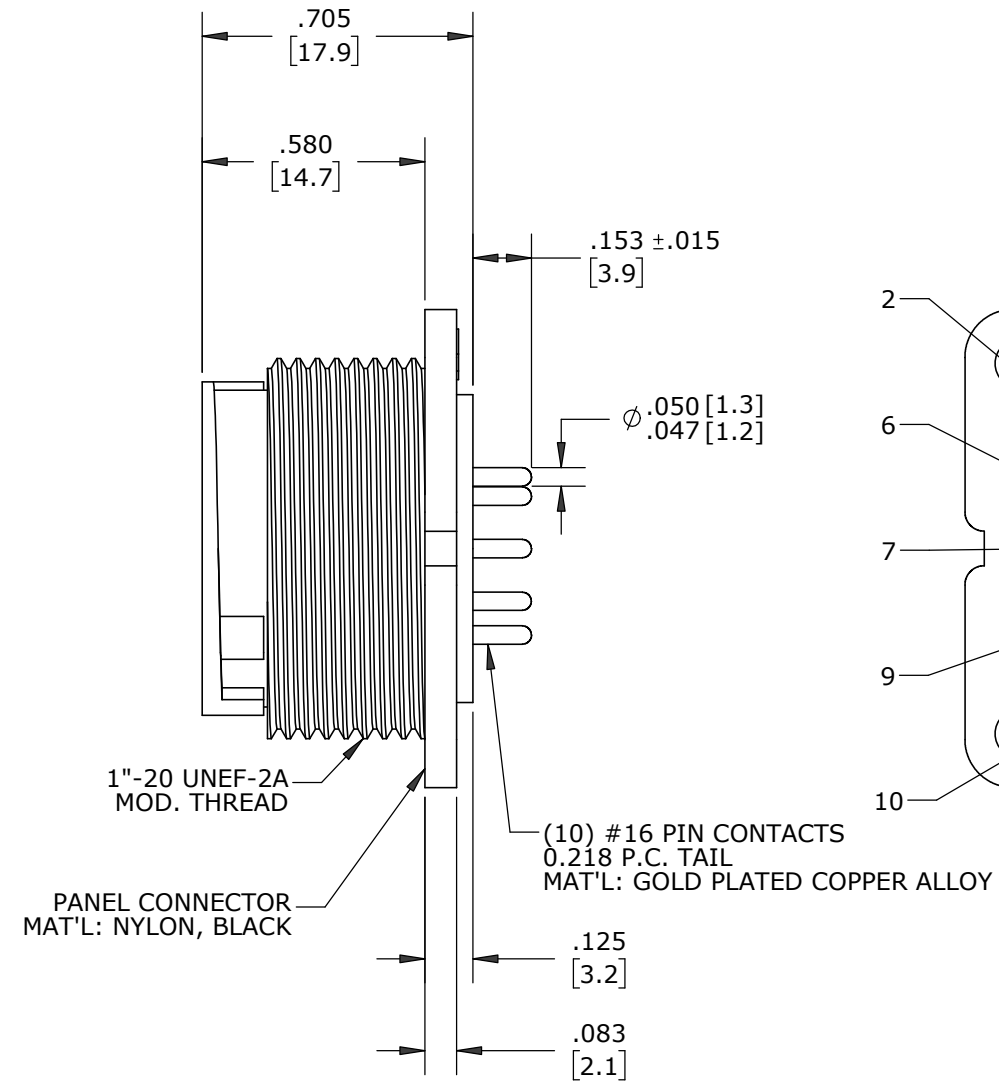
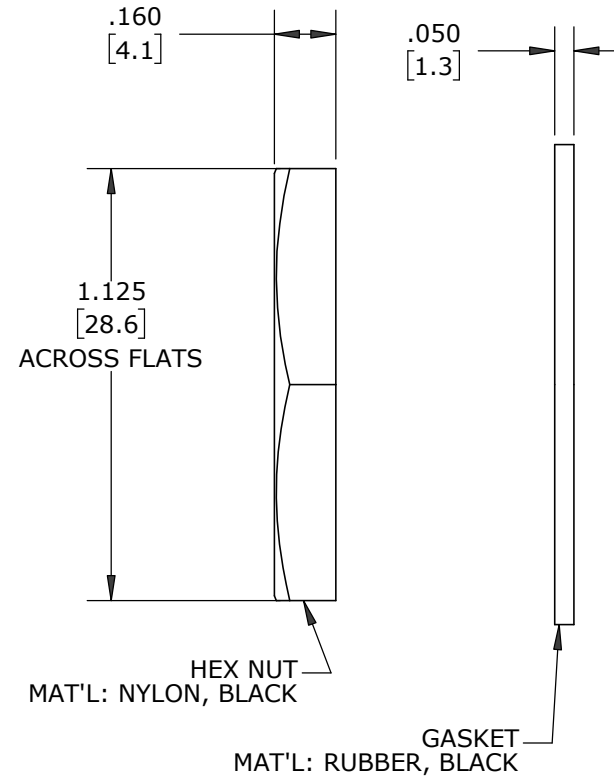
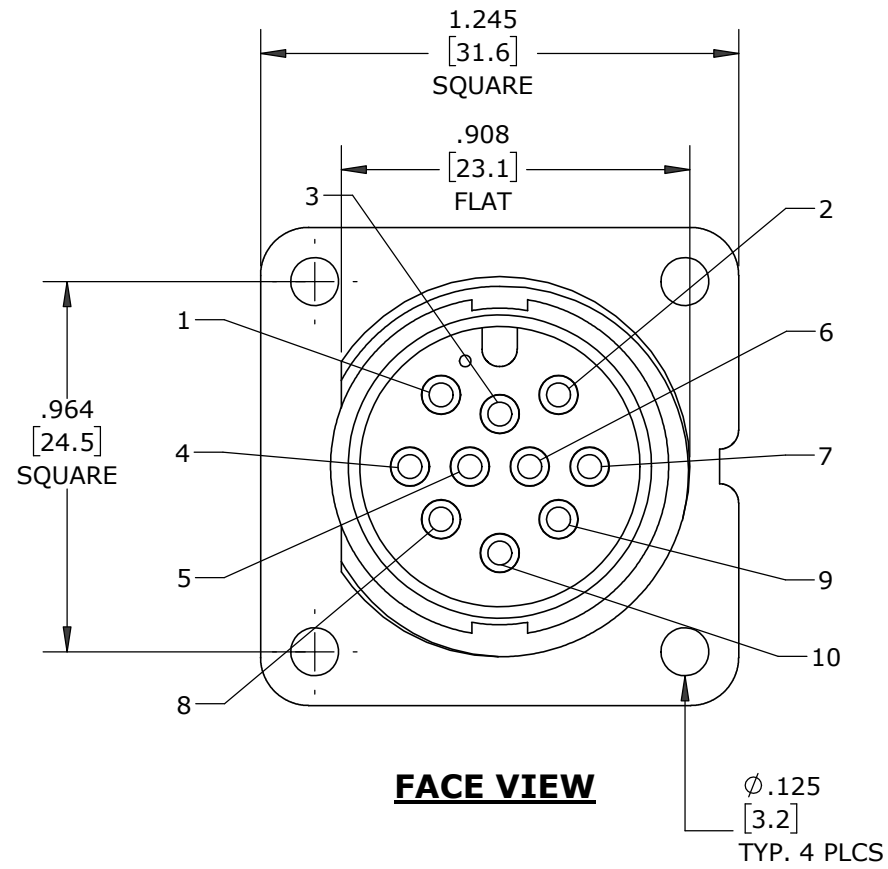


NOTES:

- 1. FINISHED PRODUCT TO BE BOXED. GASKET AND HEX NUT MAY BE PACKAGED SEPARATELY.
- 2. CONTACTS ARE INSERTED IN CONNECTOR.
- 3. ALL DIMENSIONS ARE REFERENCE ONLY EXCEPT WHERE NOTED WITH A TOLERANCE.
- 4. SEE DRAWING HPMXSTD FOR HOLE PATTERN.



DIMENSIONS IN BRACKETS [] ARE METRIC

CUSTOMER APPROVAL

THIS DOCUMENT CONTAINS CONFIDENTIAL INFORMATION PROPRIETARY TO CONXALL CORPORATION. ANY REPRODUCTION, DISCLOSURE, OR USE OF THIS DOCUMENT / INFORMATION IS EXPRESSLY PROHIBITED UNLESS AUTHORIZED IN WRITING BY CONXALL CORPORATION.

APPROVED BY: _____

DATE: _____

RoHS COMPLIANT

B	SS	06-21-21	CHANGED PACKAGING FROM BAGGED TO BOXED PER ECR 9591
A	BZ	06-10-10	DRAWING CREATED PER DOR 10-E149SL
REV.	INIT.	DATE	DESCRIPTION
	BZ	06-10-10	ORIG. DRAWN BY: DATE: BZ 06-10-10
			CHECKED BY:
			APPROVED BY:
SCALE	SIZE	SHEET	TITLE: PANEL MOUNT ASSEMBLY (10) #16 PIN CONTACT, PC TAIL MAXI-CON-X
NTS	B	1 OF 1	CUSTOMER: STANDARD PRODUCT
FILE:	DIRECTORY:	PART NUMBER:	REV
14381-10PG-300	SLW	14381-10PG-300	B



601 E. WILDWOOD VILLA PARK, IL 60181