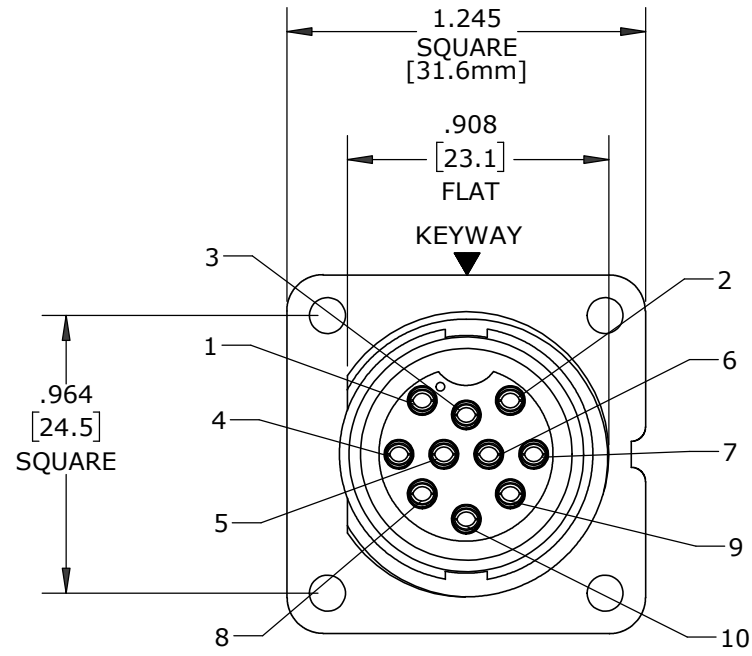
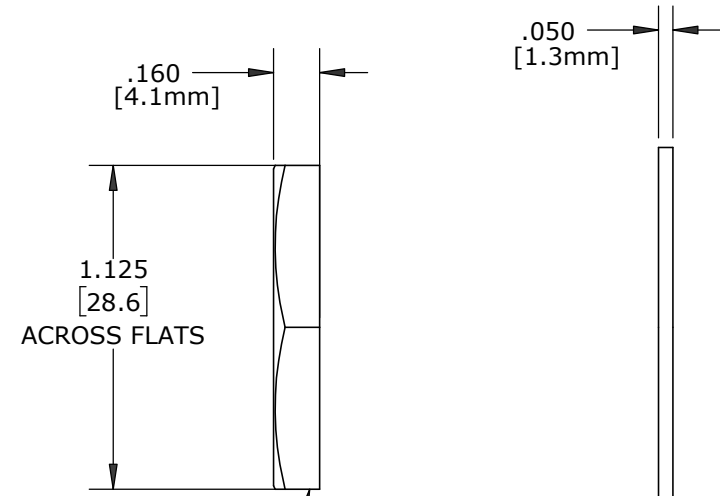


NOTES:

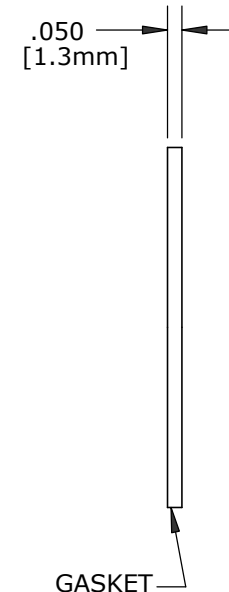
- 1. FINISHED PRODUCT TO BE BOXED GASKET AND HEX NT MAY BE PACKAGED SEPARATELY.
- 2. CONTACTS ARE INSERTED IN CONNECTOR.
- 3. ALL DIMENSIONS ARE REFERENCE ONLY EXCEPT WHERE NOTED WITH A TOLERANCE.
- 4. SEE DRAWING HPMXSTD FOR HOLE PATTERN.



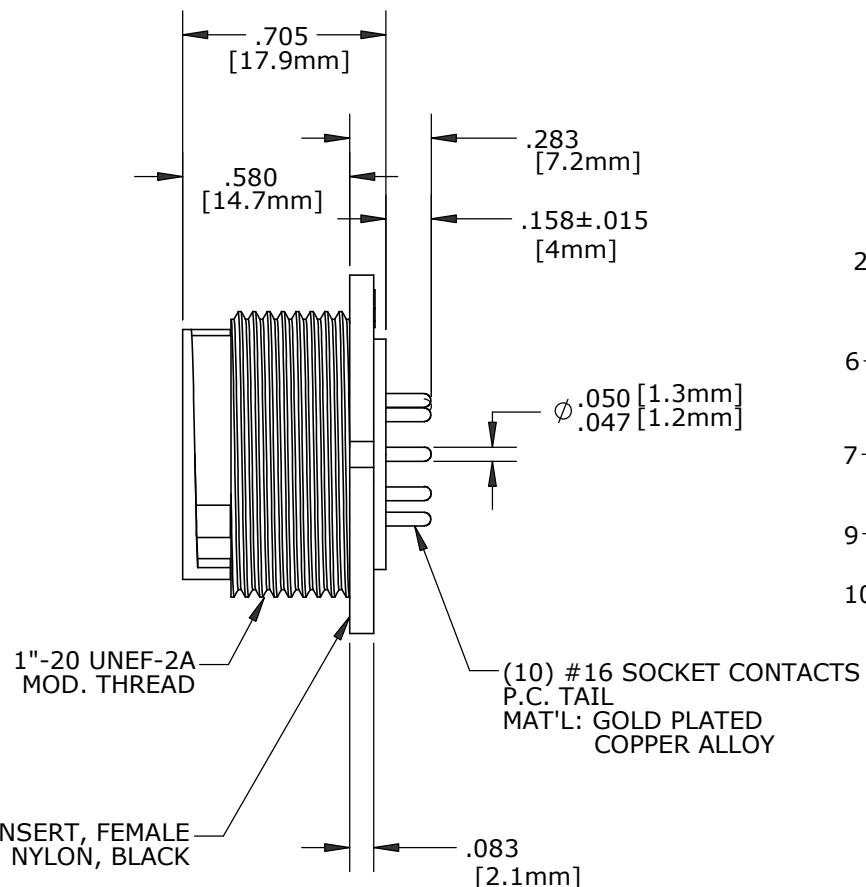
FACE VIEW



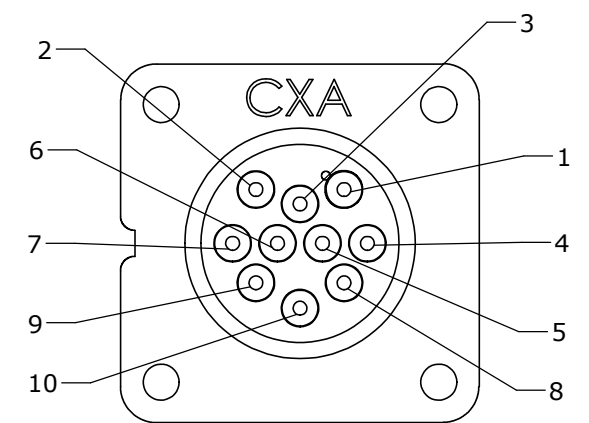
HEX NUT
MAT'L: NYLON, BLACK
0.984 ACROSS FLATS



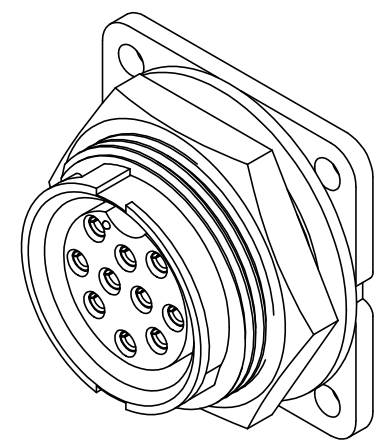
GASKET
MAT'L: RUBBER, BLACK



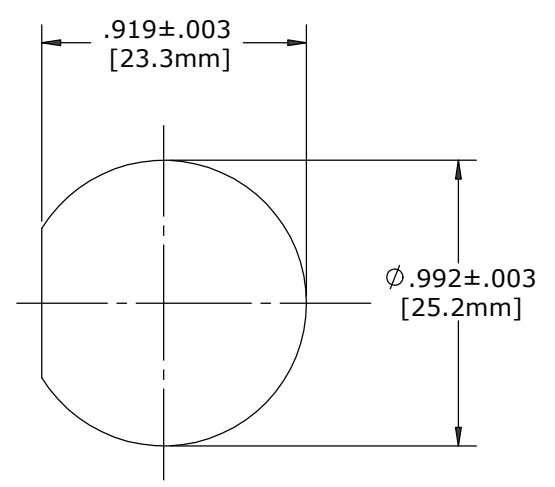
PANEL INSERT, FEMALE
MAT'L: NYLON, BLACK



WIRING VIEW



ASSEMBLED VIEW
FOR CUSTOMER REFERENCE ONLY



**RECOMMENDED
PANEL CUTOUT**

DIMENSIONS IN BRACKETS [] ARE METRIC

CUSTOMER APPROVAL

THIS DOCUMENT CONTAINS CONFIDENTIAL INFORMATION PROPRIETARY TO CONXALL CORPORATION. ANY REPRODUCTION, DISCLOSURE, OR USE OF THIS DOCUMENT / INFORMATION IS EXPRESSLY PROHIBITED UNLESS AUTHORIZED IN WRITING BY CONXALL CORPORATION.

APPROVED BY: _____
DATE: _____

RoHS COMPLIANT

B	SS	06-21-21	CHANGED PACKAGING FROM BAGGED TO BOXED PER ECR 9591
A	AN	03-06-13	DRAWING CREATED PER DOR 13-E149SL #10
REV.	INIT.	DATE	DESCRIPTION
	AN	03-06-13	
<p>ALL INFORMATION ILLUSTRATED IS THE PROPERTY OF CONXALL CORPORATION. UNAUTHORIZED DUPLICATION OR DISTRIBUTION OF THIS DOCUMENT IS PROHIBITED.</p> <p>ALL UNITS ARE IN FEET, INCHES, FRACTIONS OF INCHES AND DECIMALS.</p>			
<p>ORIG. DRAWN BY: AN</p>		<p>DATE: 03-06-13</p>	<p>601 E. WILDWOOD VILLA PARK, IL 60181</p>
<p>CHECKED BY:</p>		<p>APPROVED BY:</p>	
SCALE	SIZE	SHEET	CUSTOMER:
NTS	B	1 OF 1	STANDARD PRODUCT
FILE:	DIRECTORY:	PART NUMBER:	REV
14381-10SG-300	SLW	14381-10SG-300	B