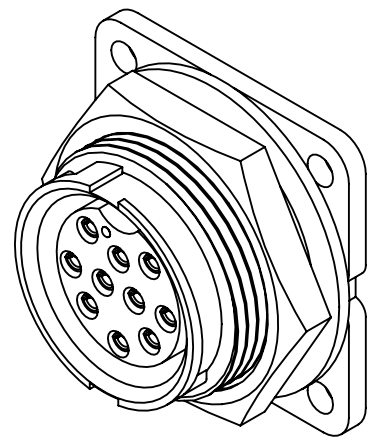
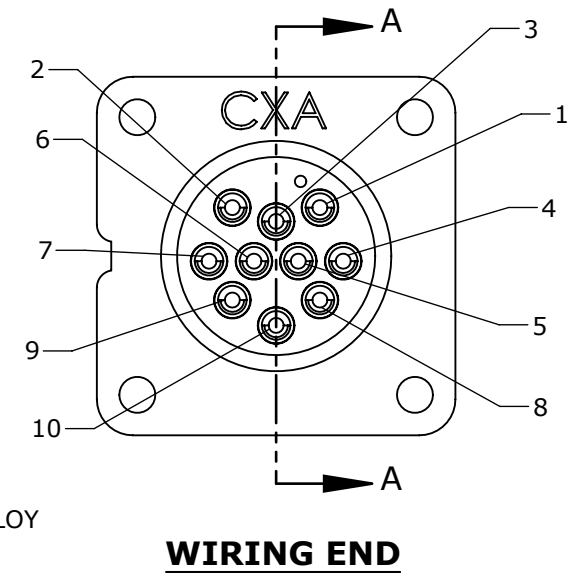
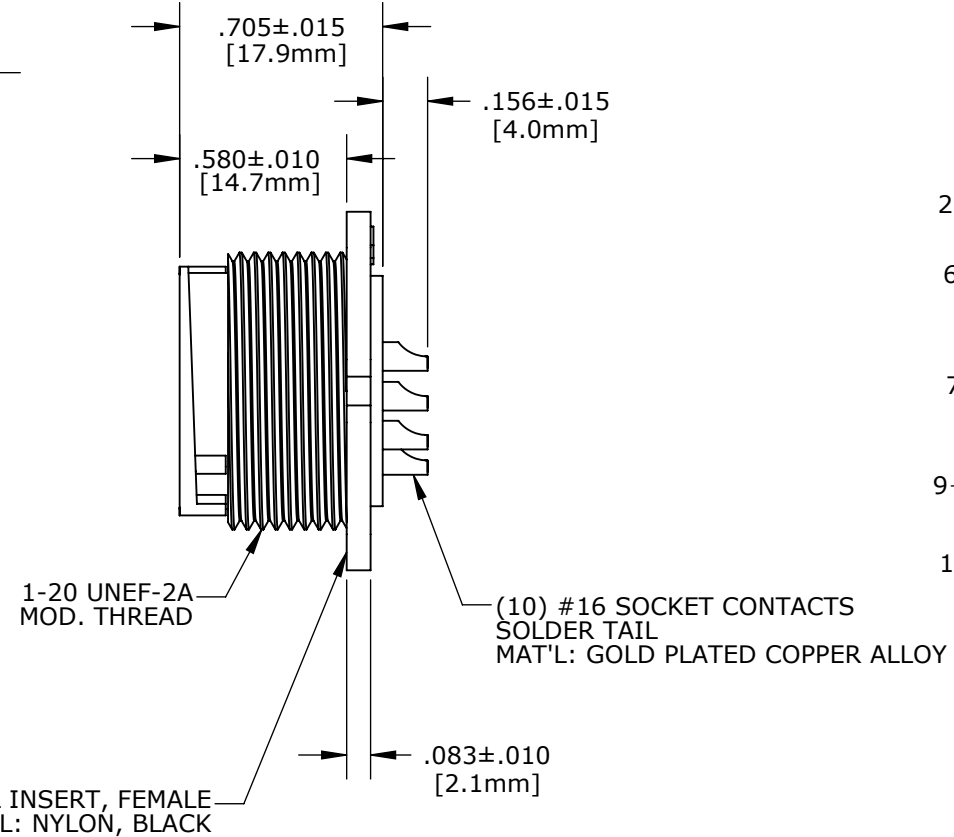
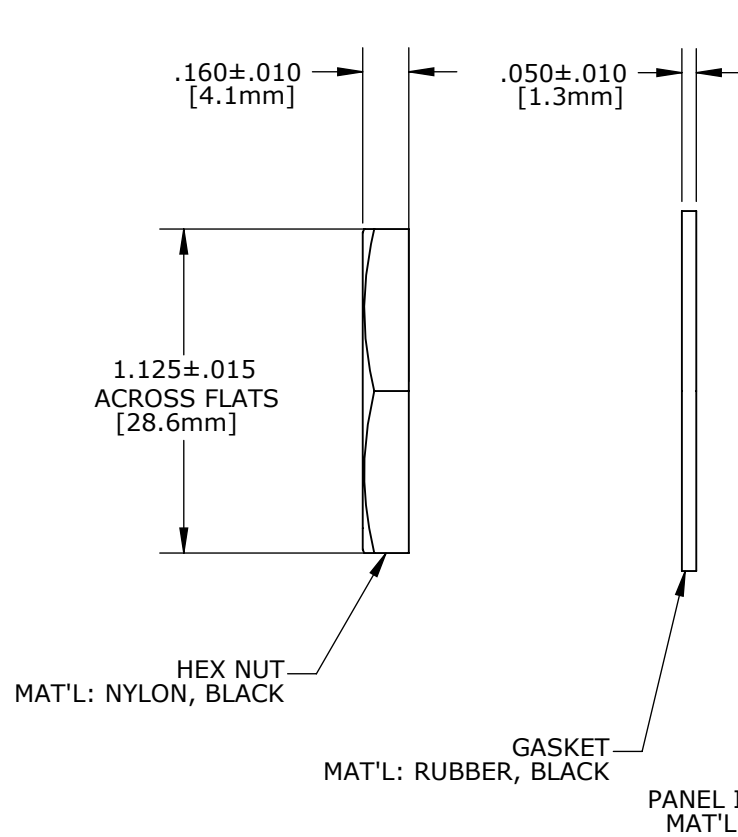
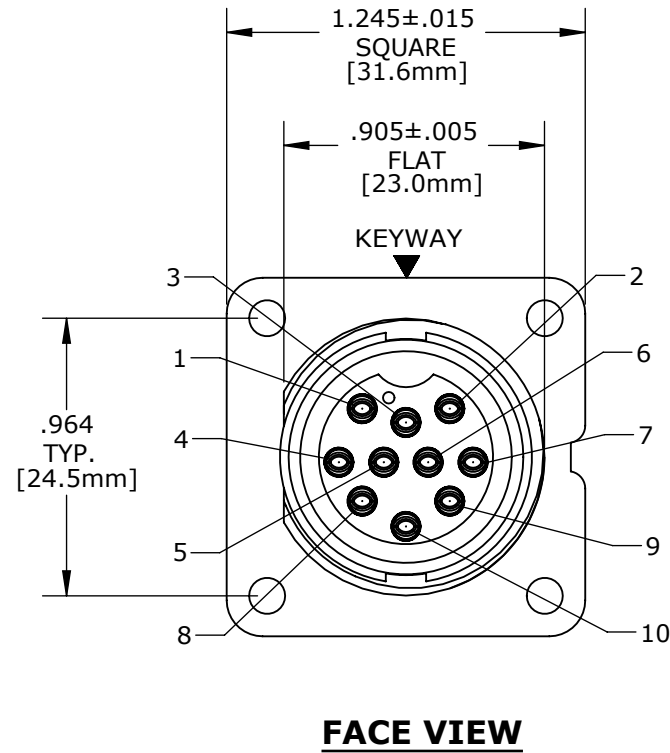
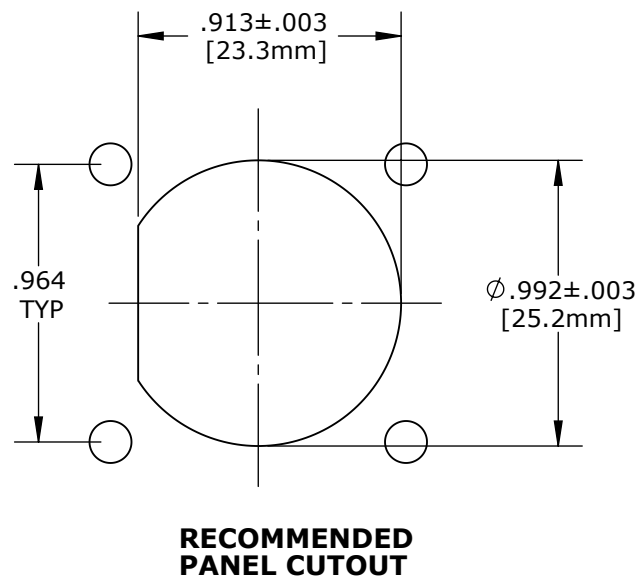


- NOTES:
 1. PARTS TO BE BULK PACKED
 2. CONTACTS ARE INSERTED IN CONNECTOR.
 3. SEE DRAWING HPMXSTD FOR HOLE PATTERN.



SHOWN ASSEMBLED KIT FOR CUSTOMER REFERENCE ONLY



DIMENSIONS IN BRACKETS [] ARE METRIC

CUSTOMER APPROVAL

THIS DOCUMENT CONTAINS CONFIDENTIAL INFORMATION PROPRIETARY TO CONXALL CORPORATION. ANY REPRODUCTION, DISCLOSURE, OR USE OF THIS DOCUMENT / INFORMATION IS EXPRESSLY PROHIBITED UNLESS AUTHORIZED IN WRITING BY CONXALL CORPORATION.

APPROVED BY: _____
 DATE: _____

RoHS COMPLIANT

A	AN	01-11-11	DRAWING CREATED PER DOR 11-E149SL
REV.	INIT.	DATE	DESCRIPTION
	AN	01-07-11	ORIG. DRAWN BY: AN DATE: 01-07-11
ALL INFORMATION ILLUSTRATED IS THE PROPERTY OF CONXALL CORPORATION. UNAUTHORIZED DUPLICATION OR DISTRIBUTION OF THIS DOCUMENT IS PROHIBITED.			 601 E. WILDWOOD VILLA PARK, IL 60181
ALL UNITS ARE IN FEET, INCHES, FRACTION OF INCHES AND DECIMALS. UNLESS OTHERWISE SPECIFIED TOLERANCES: 3 PLACE DECIMALS ±.010 ANGLES ±1° FRACTIONS ±1/16 - CRITICAL CHARACTERISTIC FLAG PER SPEC. XXXX			
APPROVED BY:		SCALE	TITLE: PANEL MOUNT ASSEMBLY (10) #16 SOCKET CONTACT, SOLDER TAIL
DATE:		SIZE	MAXI-CON-X
		SHEET	CUSTOMER: STANDARD PRODUCT
		1 OF 1	
FILE:	DIRECTORY:	PART NUMBER:	REV
14382-10SG-300	SLW	14382-10SG-300	A