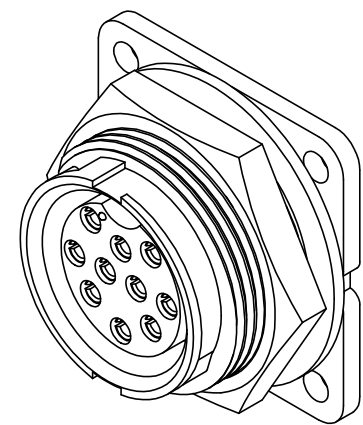
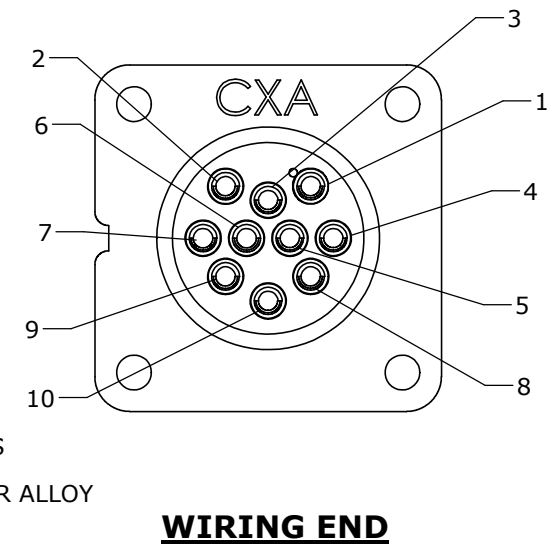
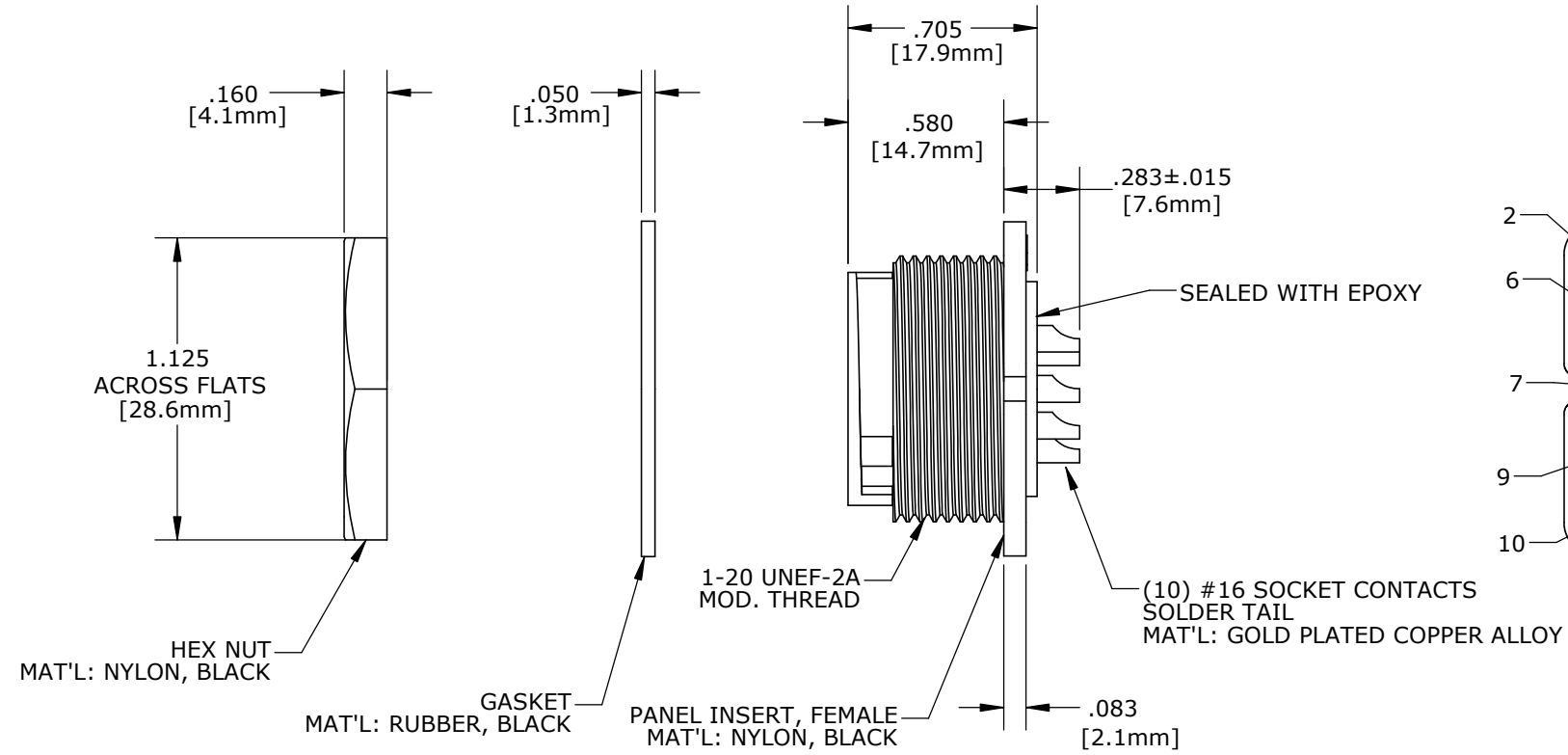
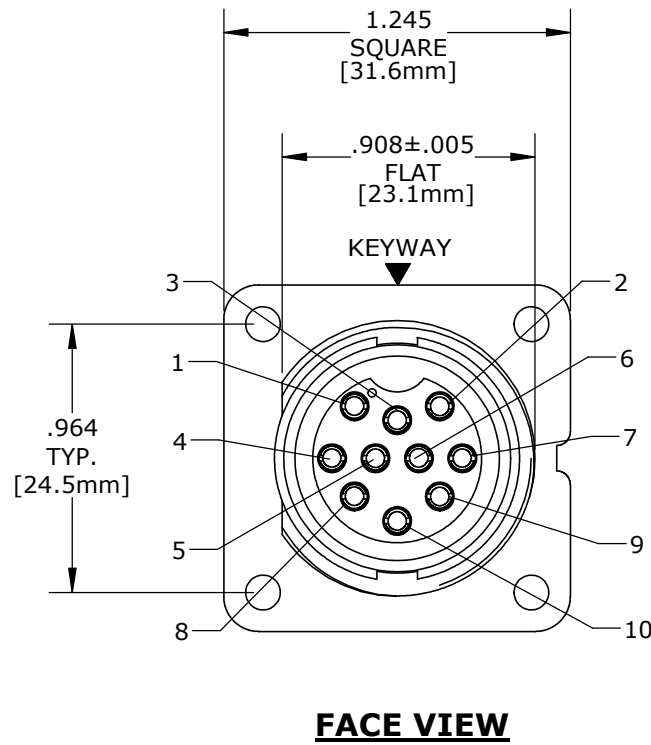


CUSTOMER PRINT

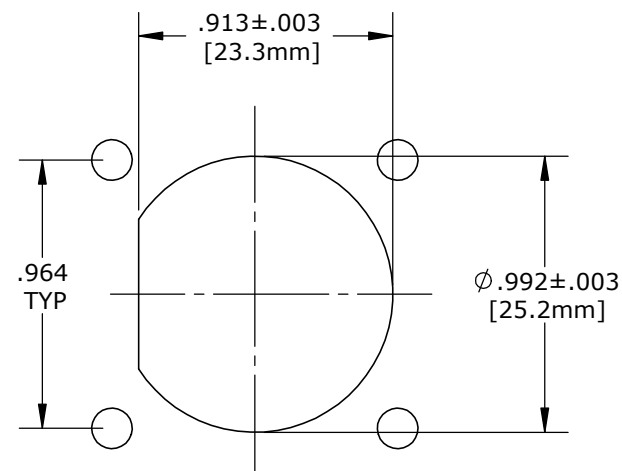
PART NUMBER: 14382-10SG-3ES

NOTES:

1. PARTS TO BE BULK PACKED
2. CONTACTS ARE INSERTED IN CONNECTOR.
3. BACK WELL FILLED WITH BLACK EPOXY.
4. ALL DIMENSIONS ARE REFERENCE EXCEPT THOSE WITH A TOLERANCE.



SHOWN ASSEMBLED KIT
FOR CUSTOMER REFERENCE ONLY



DIMENSIONS IN BRACKETS [] ARE METRIC


CUSTOMER APPROVAL

THIS DOCUMENT CONTAINS CONFIDENTIAL INFORMATION PROPRIETARY TO CONXALL CORPORATION. ANY REPRODUCTION, DISCLOSURE, OR USE OF THIS DOCUMENT /INFORMATION IS EXPRESSLY PROHIBITED UNLESS AUTHORIZED IN WRITING BY CONXALL CORPORATION.

APPROVED BY: _____

DATE: _____

RoHS COMPLIANT

REV. A	INIT. AN	DATE 10-08-20	DRAWING CREATED PER DOR 15-E253SL #28	
DESCRIPTION			ORIG. DRAWN BY: AN DATE: 09-15-20	
ALL INFORMATION ILLUSTRATED IS THE PROPERTY OF "CONXALL CORPORATION." UNAUTHORIZED DUPLICATION OR DISTRIBUTION OF THIS DOCUMENT IS PROHIBITED.			 601 E. WILDWOOD VILLA PARK, IL 60181	
CHECKED BY:				
APPROVED BY:			TITLE: PANEL MOUNT ASSEMBLY (10) #16 SOCKET CONTACT, SOLDER TAIL MAXI-CON-X, EPOXY SEALED STANDARD PRODUCT	
SCALE: NTS	SIZE: B	SHEET: 1 OF 1	CUSTOMER: 14382-10SG-3ES	
FILE: 14382-10SG-3ES	DIRECTORY: SLW	PART NUMBER: 14382-10SG-3ES	REV A	