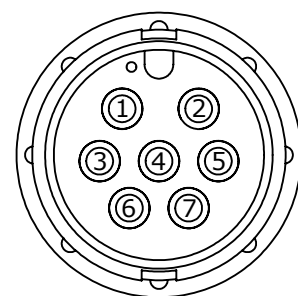


ASSY PART NO.	CABLE O.D.
15182-7PG-321	.210 - .250
15182-7PG-326	.260 - .300
15182-7PG-331	.310 - .380

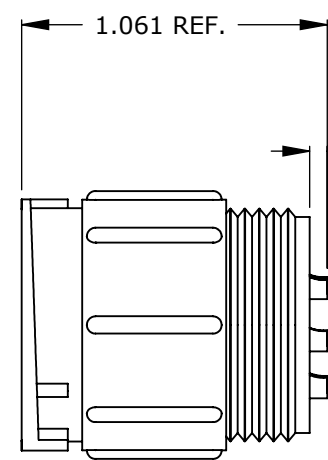
- NOTES:
1. CABLE PARTS TO BE BULK PACKED
 2. CONTACTS TO BE INSERTED AS SHOWN

CUSTOMER PRINT

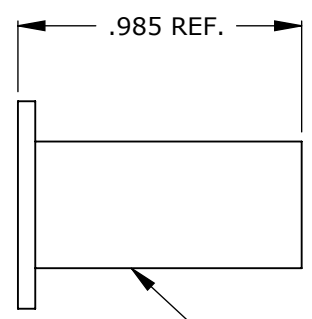
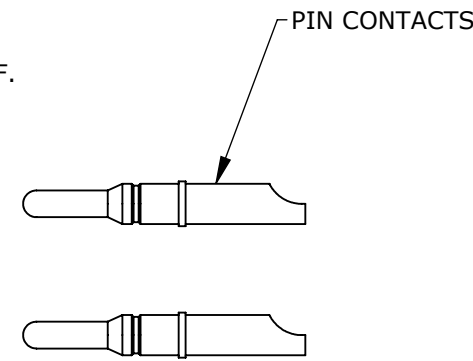
PART NUMBER: 15182-7PG-3XXFAM



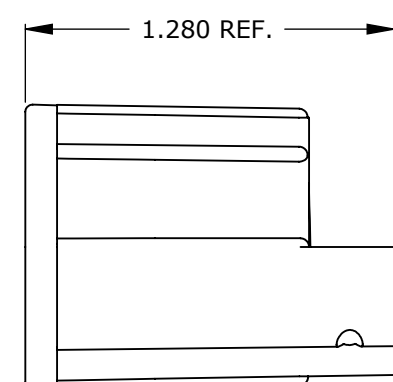
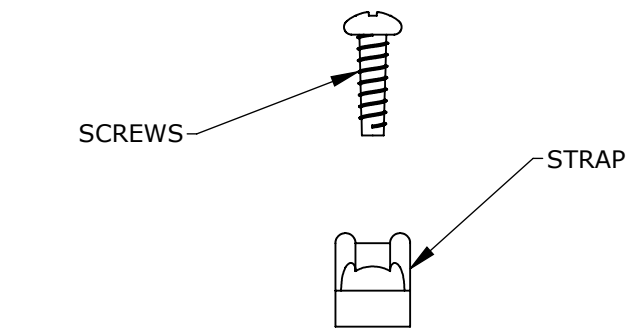
FACE VIEW



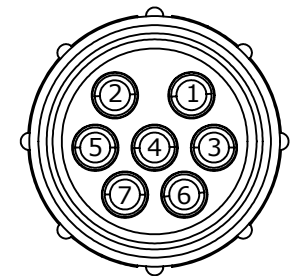
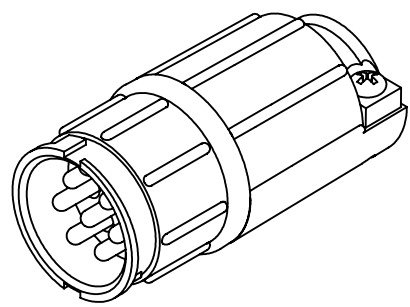
CABLE TO CABLE CONNECTOR



GROMMET



BACKSHELL



WIRE VIEW


CUSTOMER APPROVAL

THIS DOCUMENT CONTAINS CONFIDENTIAL INFORMATION PROPRIETARY TO CONXALL CORPORATION. ANY REPRODUCTION, DISCLOSURE, OR USE OF THIS DOCUMENT /INFORMATION IS EXPRESSLY PROHIBITED UNLESS AUTHORIZED IN WRITING BY CONXALL CORPORATION.

CHECKED BY: _____

APPROVED BY: _____

DATE: _____

A	DT	07-28-08	DRAWING CREATED PER DOR 08-149SL	
REV.	INIT.	DATE	DESCRIPTION	
			ORIG. DRAWN BY: DT DATE: 07-28-08 CHECKED BY: _____ APPROVED BY: _____	 601 E. WILDWOOD VILLA PARK, IL 60181 TITLE: CONNECTOR INLINE ASSEMBLY (7) PIN CONTACTS MAXI-CON-X CUSTOMER: STANDARD PRODUCT
<small>ALL INFORMATION ILLUSTRATED IS THE PROPERTY OF CONXALL CORPORATION. UNAUTHORIZED DUPLICATION OR DISTRIBUTION OF THIS DOCUMENT IS PROHIBITED.</small> <small>ALL UNITS ARE IN FEET, INCHES, FRACTION OF INCHES AND DECIMALS.</small> <small>UNLESS OTHERWISE SPECIFIED TOLERANCES:</small> <small>3 PLACE DECIMALS ±.005</small> <small>ANGLES ±1°</small> <small>FRACTIONS ±1/16</small> <small>▷ - CRITICAL CHARACTERISTIC FLAG PER SPEC. XXXX</small>			SCALE: NTS SIZE: B SHEET: 1 OF 1	PART NUMBER: 15182-7PG-3XXFAM REV: A