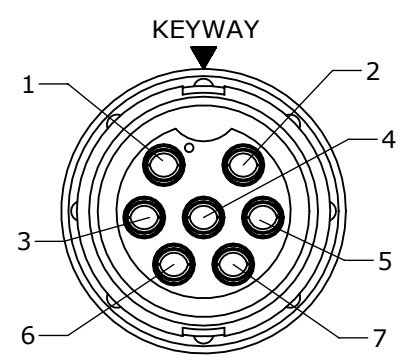
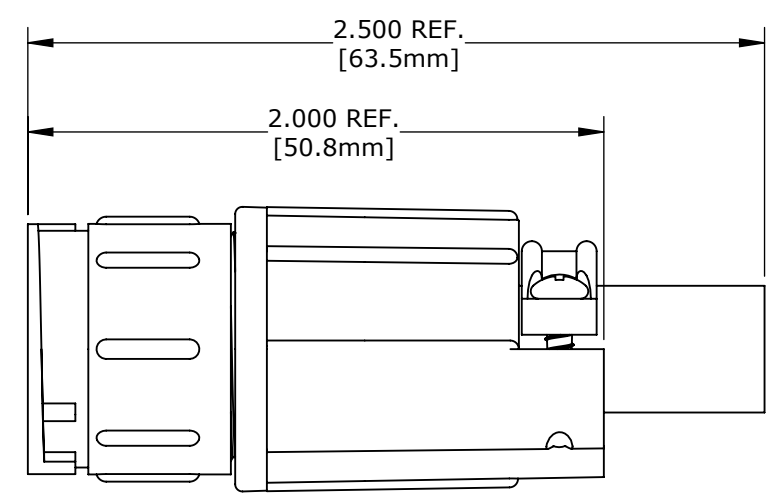
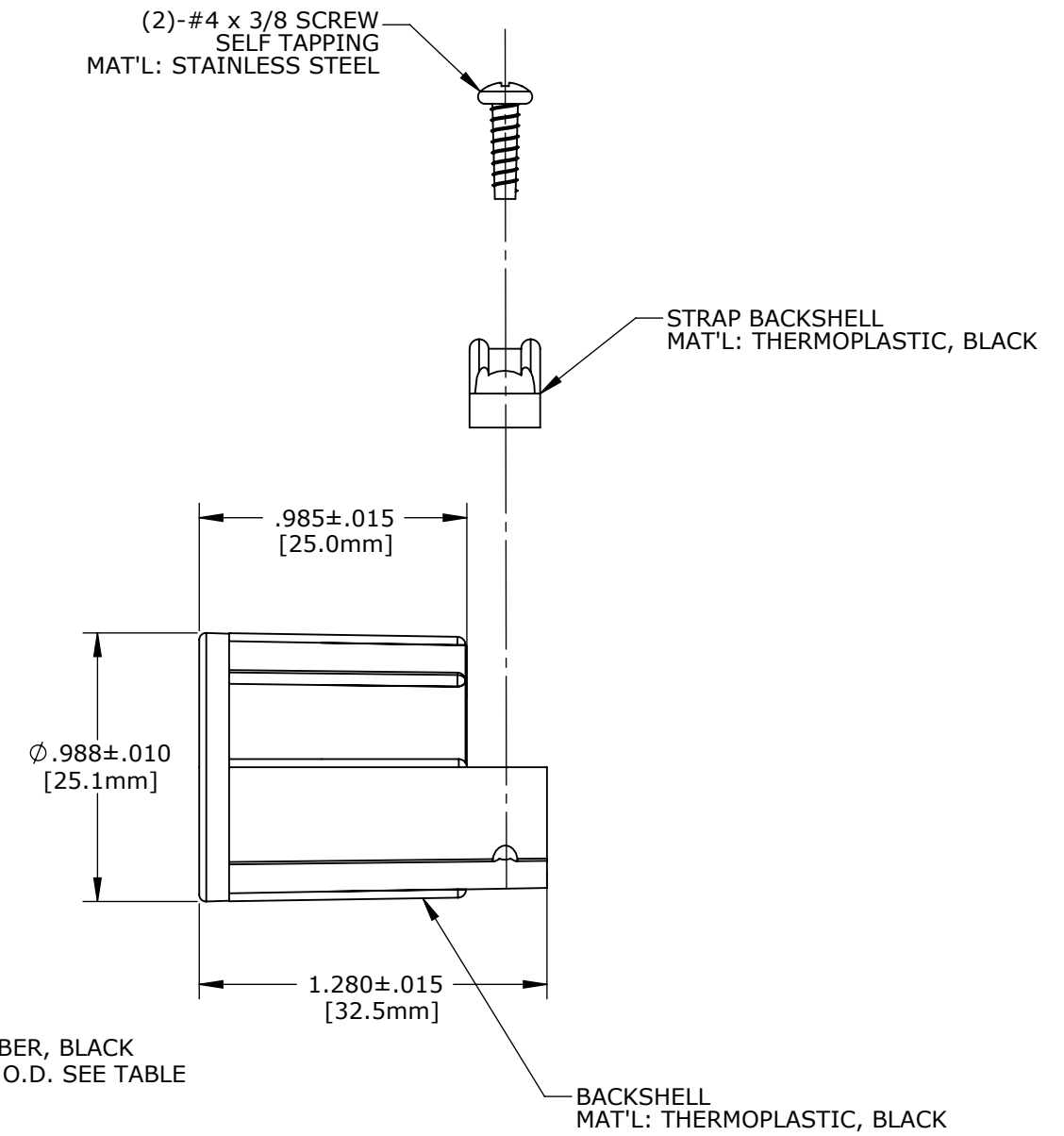
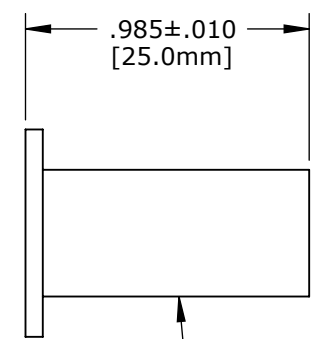
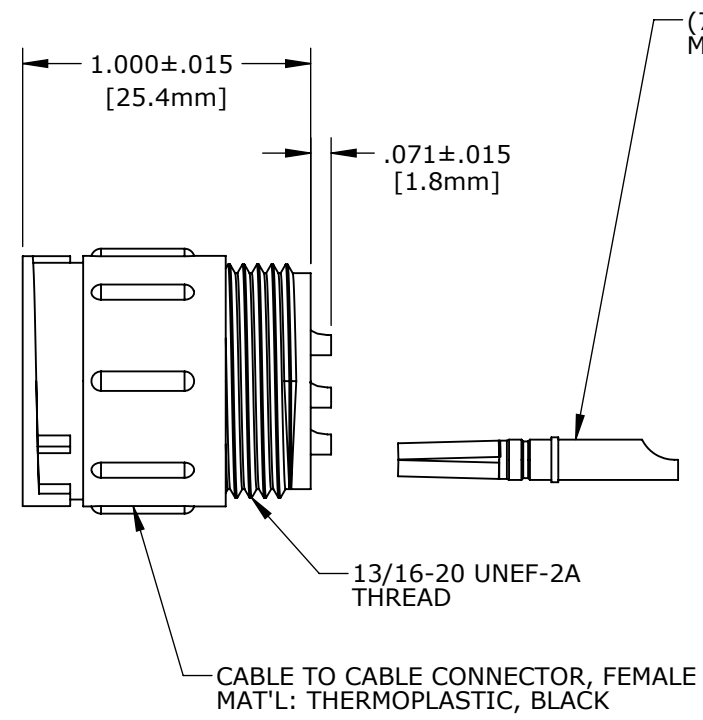


ASS'Y P/N	GROMMET FOR CABLE O.D.
15182-7SG-321	0.21-0.25 [5.3-6.3mm]
15182-7SG-326	0.26-0.30 [6.6-7.6mm]
15182-7SG-331	0.31-0.38 [7.8-9.6mm]

- NOTES:  
 1. PARTS TO BE BULK PACKED.  
 2. CONTACTS TO BE INSTALLED INTO CONNECTOR



MATING FACE



ASSEMBLED KIT FOR CUSTOMER REF.


DIMENSIONS IN BRACKET [ ] ARE METRIC.

**CUSTOMER APPROVAL**

THIS DOCUMENT CONTAINS CONFIDENTIAL INFORMATION PROPRIETARY TO CONXALL CORPORATION. ANY REPRODUCTION, DISCLOSURE, OR USE OF THIS DOCUMENT /INFORMATION IS EXPRESSLY PROHIBITED UNLESS AUTHORIZED IN WRITING BY CONXALL CORPORATION.

CHECKED BY: \_\_\_\_\_  
 APPROVED BY: \_\_\_\_\_  
 DATE: \_\_\_\_\_

**RoHS COMPLIANT**

A	AN	05-28-13	DRAWING CREATED PER DOR 13-E149SL #21	
REV.	INIT.	DATE	DESCRIPTION	
	AN	05-28-13	ALL INFORMATION ILLUSTRATED IS THE PROPERTY OF "CONXALL CORPORATION." UNAUTHORIZED DUPLICATION OR DISTRIBUTION OF THIS DOCUMENT IS PROHIBITED.  601 E. WILDWOOD VILLA PARK, IL 60181	
ALL UNITS ARE IN FEET, INCHES, FRACTION OF INCHES AND DECIMALS.			APPROVED BY:	TITLE: CONNECTOR KIT
SCALE	SIZE	SHEET	7-#12 SOCKET CONTACTS (SOLDER TAIL)	
NTS	B	1 OF 1	MAXI-CON-X	
FILE:	DIRECTORY:	PART NUMBER:	CUSTOMER: STANDARD PRODUCT	
15182-7SG-3XX	SLW	15182-7SG-3XX	REV A	

CUSTOMER PRINT

PART NUMBER: 15182-7SG-3XX